

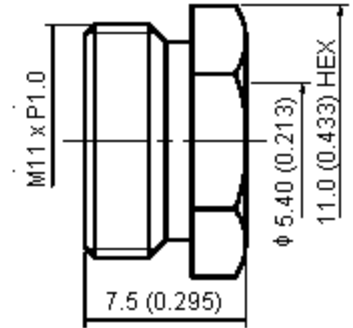
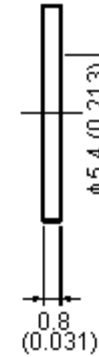
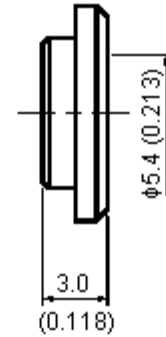
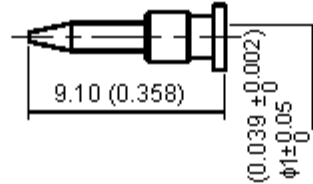
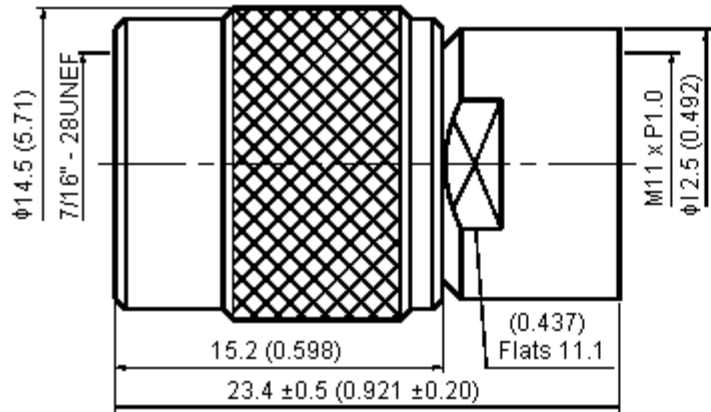


PART NO.

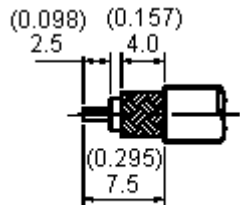
15-03 TSS RG58 CABLE 50 OHM

REVISIONS

ECN #	REV	DESCRIPTION	DRAWN	DATE	CHECKD	DATE	APPRVD	DATE
-	A	RELEASED	Sreejesh	16/1/10	Jagan	16/1/10	Farnell	29/1/10



Dimensions : Millimetres



Stripping Dimension

Specifications

- Bodies : Brass per JIS-C3604
- Center contact : Brass per JIS-C3604
- Insulation : Teflon per ASTM D1457 and ASTM D1710
- Connector Interface per MIL-STD-348A
- Part to be clean and free of burrs

This data sheet and its contents (the "Information") belong to the Premier Farnell Group (the "Group") or are licensed to it. No licence is granted for the use of it other than for information purposes in connection with the products to which it relates. No licence of any intellectual property rights is granted. The Information is subject to change without notice and replaces all data sheets previously supplied. The Information supplied is believed to be accurate but the Group assumes no responsibility for its accuracy or completeness, any error in or omission from it or for any use made of it. Users of this data sheet should check for themselves the Information and the suitability of the products for their purpose and not make any assumptions based on information included or omitted. Liability for loss or damage resulting from any reliance on the Information or use of it (including liability resulting from negligence or where the Group was aware of the possibility of such loss or damage arising) is excluded. This will not operate to limit or restrict the Group's liability for death or personal injury resulting from its negligence. SPC MULTICOMP is the registered trademark of the Group. © Premier Farnell plc 2009.

TOLERANCES:
UNLESS OTHERWISE SPECIFIED, DIMENSIONS ARE FOR REFERENCE PURPOSES ONLY.

DRAWN BY:	DATE:
Sreejesh	16/1/2010
CHECKED BY:	DATE:
Jagan	16/1/2010
APPROVED BY:	DATE:
Farnell	29/01/10

DRAWING TITLE:			
TNC PLUG- 50 OHM			
SIZE	DWG NO.	ELECTRONIC FILE	REV
A	M10002421	1169597-DWG	A
SCALE: NTS		U.O.M.: mm	SHEET: 1 OF 2



PART NO.

15-03 TSS RG58 CABLE 50 OHM

REVISIONS

ECN #	REV	DESCRIPTION	DRAWN	DATE	CHECKD	DATE	APPRVD	DATE
-	A	RELEASED	Sreejesh	16/1/10	Jagan	16/1/10	Farnell	29/1/10

Specifications Table

Description	Material	Quantity	Finish
Shell	Brass	1	Silver 70μ inches (minimum)
Insulation	Teflon		None
Gasket I	Silicone		Red
Body	Brass		Silver 70μ inches (minimum)
Washer I			None
Braid clamp			Silver 70μ inches (minimum)
Gasket II	Silicone		Red
Washer II	Brass		Silver 70μ inches (minimum)
Nut			
Center contact			

Part Number Table

Description	Part Number
Plug, TNC, 50R	15-03 TSS RG58 Cable 50 OHM

This data sheet and its contents (the "Information") belong to the Premier Farnell Group (the "Group") or are licensed to it. No licence is granted for the use of it other than for information purposes in connection with the products to which it relates. No licence of any intellectual property rights is granted. The Information is subject to change without notice and replaces all data sheets previously supplied. The Information supplied is believed to be accurate but the Group assumes no responsibility for its accuracy or completeness, any error in or omission from it or for any use made of it. Users of this data sheet should check for themselves the Information and the suitability of the products for their purpose and not make any assumptions based on information included or omitted. Liability for loss or damage resulting from any reliance on the Information or use of it (including liability resulting from negligence or where the Group was aware of the possibility of such loss or damage arising) is excluded. This will not operate to limit or restrict the Group's liability for death or personal injury resulting from its negligence. SPC MULTICOMP is the registered trademark of the Group. © Premier Farnell plc 2009.

TOLERANCES:
UNLESS OTHERWISE SPECIFIED, DIMENSIONS ARE FOR REFERENCE PURPOSES ONLY.

DRAWN BY:	DATE:
Sreejesh	16/1/2010
CHECKED BY:	DATE:
Jagan	16/1/2010
APPROVED BY:	DATE:
Farnell	29/01/10

DRAWING TITLE:				TNC PLUG- 50 OHM			
SIZE	DWG NO.	ELECTRONIC FILE		REV			
A	M10002421	1169597-DWG		A			
SCALE: NTS		U.O.M.: mm		SHEET: 2 OF 2			