

FEATURES AND SPECIFICATIONS

Features and Benefits

- Fully isolated contacts
- Fully polarized to mating receptacle
- Integral pull tabs for ease in unmating
- Optional panel mount ears

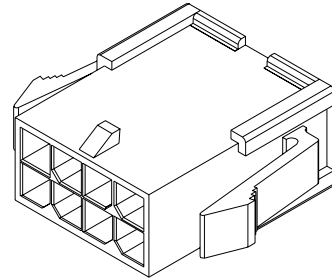
Physical

Housing: Polyester, UL 94V-0
 Contact: Phosphor Bronze
 Plating: Tin or Gold

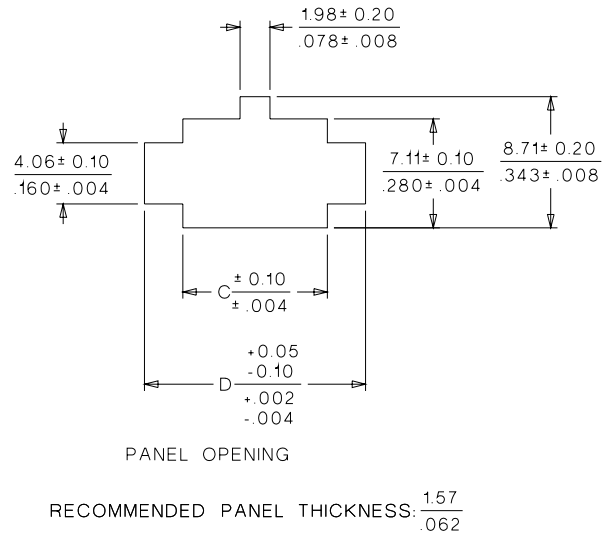
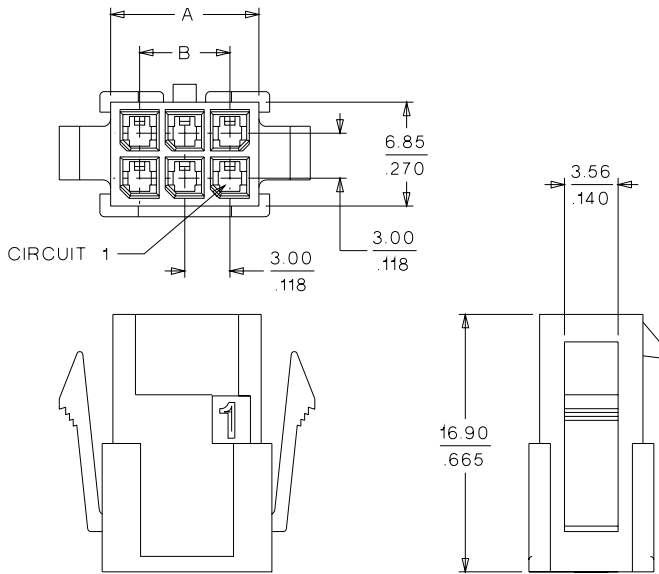
molex® 3.00mm (.118") Pitch Micro-Fit 3.0™ Wire-to-Wire Plug

43020

Dual Row With or without Panel Mount Ears



PCB and Wire Connectors



ORDERING INFORMATION AND DIMENSIONS

Circuits	Order No.		Dimension			
	Panel Mount	Free Hanging	A	B	C	D
2	• 43020-0200	• 43020-0201	3.86 (.152)		4.21 (.166)	7.90 (.311)
4	• 43020-0400	• 43020-0401	6.85 (.270)	3.00 (.118)	7.21 (.284)	10.90 (.429)
6	• 43020-0600	• 43020-0601	9.85 (.388)	6.00 (.236)	10.21 (.402)	13.89 (.547)
8	• 43020-0800	• 43020-0801	12.85 (.506)	9.00 (.354)	13.21 (.520)	16.89 (.665)
10	• 43020-1000	• 43020-1001	15.85 (.624)	12.00 (.472)	16.21 (.638)	19.89 (.783)
12	• 43020-1200	• 43020-1201	18.85 (.742)	15.00 (.591)	19.21 (.756)	22.89 (.901)
14	• 43020-1400	• 43020-1401	21.85 (.860)	18.00 (.709)	22.20 (.874)	25.88 (1.019)
16	• 43020-1600	• 43020-1601	24.85 (.978)	21.00 (.827)	25.20 (.992)	28.88 (1.137)
18	• 43020-1800	• 43020-1801	27.85 (1.096)	24.00 (.945)	28.20 (1.110)	31.88 (1.255)
20	• 43020-2000	• 43020-2001	30.85 (1.215)	27.00 (1.063)	31.22 (1.229)	34.87 (1.373)
22	• 43020-2200	• 43020-2201	33.85 (1.333)	30.00 (1.181)	34.22 (1.347)	37.87 (1.491)
24	• 43020-2400	• 43020-2401	36.85 (1.451)	33.00 (1.299)	37.22 (1.465)	40.87 (1.609)

• US Standard Product, available through Molex franchised distributors