

iglus[®]

2 options for all applications

Mounting Brackets: Series 06 "E2 micro"

366 7145

Polymer, One-Piece

Option 1:

- Without strain relief tiwrap plates



Option 2:

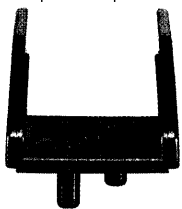
- With strain relief tiwrap plates



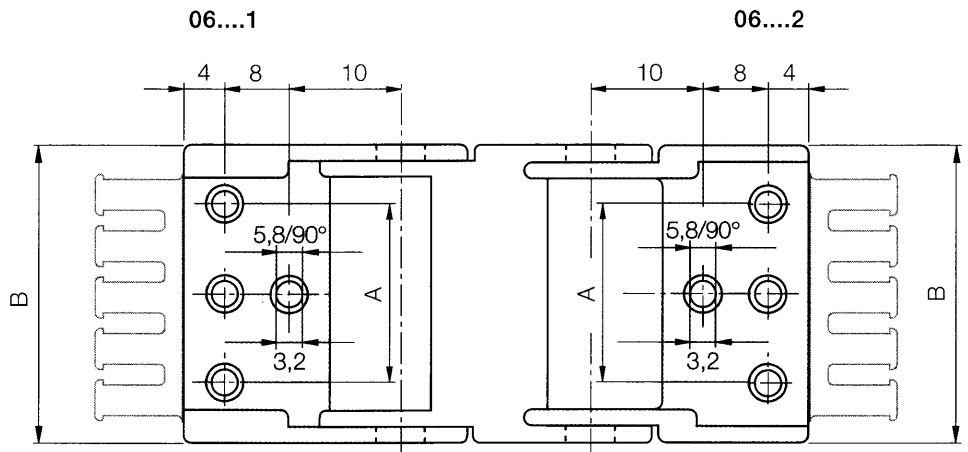
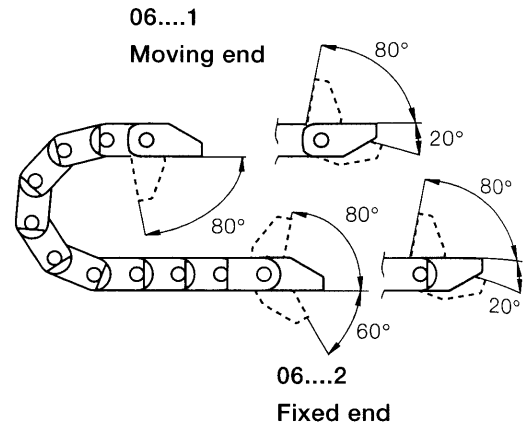
- **Quicksnap:** available from stock for 06.016, other widths upon request



- **Quickfix:** with dowel for fast mounting, available from stock for 06.016, other widths upon request



- **Standard**
- One-piece mounting bracket
- Corrosion-resistant
- Available pre-assembled
- Inner and outer attachment possible
- Available with strain relief tiwrap plates



060.06.12 - 060.20.12: Center bores only

060.30.12 - 060.64.12: Outer bores only

Chain Type	Part No. Full Set, with Tiewrap Plate	Part No. Set Mounting Brackets	Number of Teeth	Dimension A in mm	Dimension B in mm
06.06	060.06.12 PZ	060.06.12	1	-	12,5
06.10	060.10.12 PZ	060.10.12	1	-	16,5
06.16	060.16.12 PZ	060.16.12	2	-	22,5
06.20	060.20.12 PZ	060.20.12	2	-	27,0
06.30	060.30.12 PZ	060.30.12	3	22	37,0
06.40	060.40.12 PZ	060.40.12	4	32	47,0
06.50	060.50.12 PZ	060.50.12	5	42	57,0
06.64	060.64.12 PZ	060.60.12	6	56	71,0

06...12 = Full set, each part with pin / bore

06... 1 = Mounting bracket with bore

06... 2 = Mounting bracket with pin

Internet: <http://www.igus.de>
email: info@igus.de