

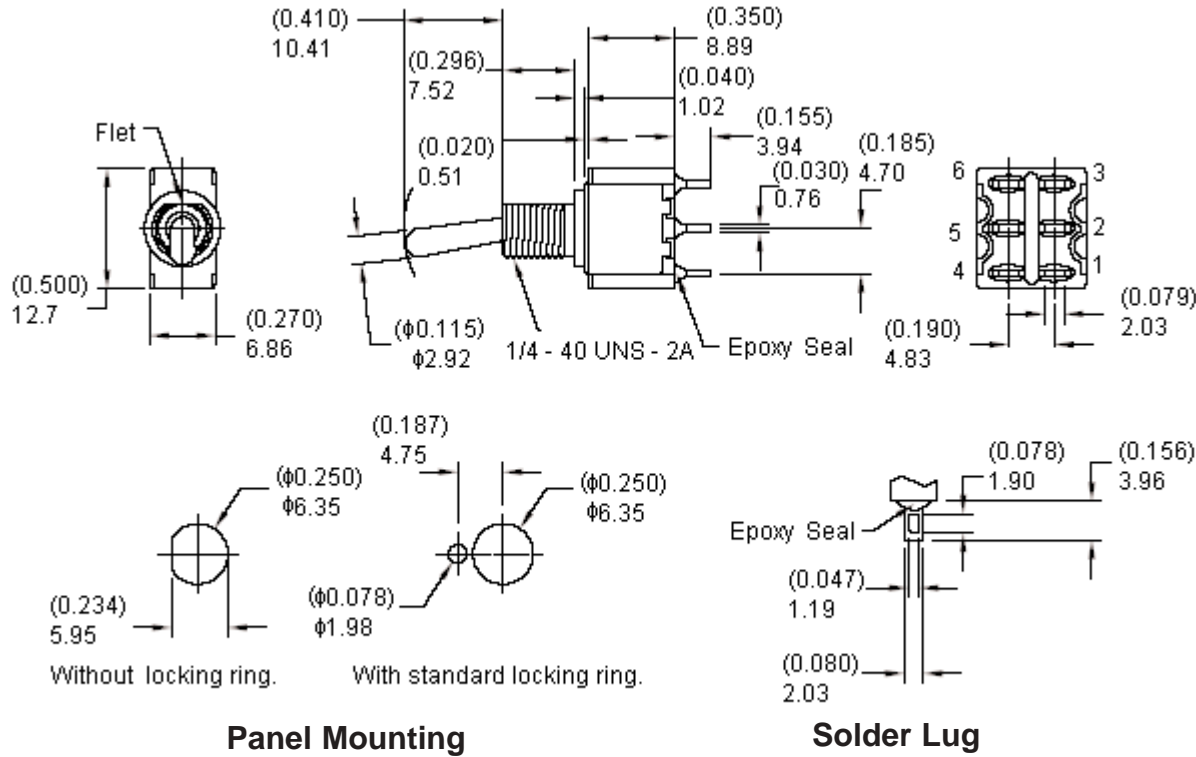


PART NO.

1MD1T1B5M1QE

REVISIONS

ECN #	REV	DESCRIPTION	DRAWN	DATE	CHECKD	DATE	APPRVD	DATE
-	A	RELEASED	Venkat	04/04/09	Veena	04/04/09	Farnell	19/04/09



Dimensions : Millimetres (Inches)

Panel Mounting

Solder Lug

This data sheet and its contents (the "Information") belong to the Premier Farnell Group (the "Group") or are licensed to it. No licence is granted for the use of it other than for information purposes in connection with the products to which it relates. No licence of any intellectual property rights is granted. The Information is subject to change without notice and replaces all data sheets previously supplied. The Information supplied is believed to be accurate but the Group assumes no responsibility for its accuracy or completeness, any error in or omission from it or for any use made of it. Users of this data sheet should check for themselves the Information and the suitability of the products for their purpose and not make any assumptions based on information included or omitted. Liability for loss or damage resulting from any reliance on the Information or use of it (including liability resulting from negligence or where the Group was aware of the possibility of such loss or damage arising) is excluded. This will not operate to limit or restrict the Group's liability for death or personal injury resulting from its negligence. SPC MULTICOMP is the registered trademark of the Group. © Premier Farnell plc 2009.

TOLERANCES:
UNLESS OTHERWISE SPECIFIED, DIMENSIONS ARE FOR REFERENCE PURPOSES ONLY.

DRAWN BY:	DATE:
Venkat	04/04/09
CHECKED BY:	DATE:
Veena	04/04/09
APPROVED BY:	DATE:
Farnell	19/04/09

DRAWING TITLE:			
1MD1T1B5M1QE - Miniature Toggle Switches			
SIZE	DWG NO.	ELECTRONIC FILE	REV
A	M10002039	39980_DWG	A
SCALE: NTS		U.O.M.: mm (Inches)	SHEET: 1 OF 3



PART NO.

1MD1T1B5M1QE

REVISIONS

ECN #	REV	DESCRIPTION	DRAWN	DATE	CHECKD	DATE	APPRVD	DATE
-	A	RELEASED	Venkat	04/04/09	Veena	04/04/09	Farnell	19/04/09

Specifications:

Electric life : 40,000 make-and-break cycles at full load.
 Maximum contact resistance : 10mΩ initial at 2 to 4V dc
 : 100mA for both silver and gold plated contacts.
 Minimum insulation resistance : 1000MΩ.
 Dielectric strength : 1000Vrms at sea level.
 Operating temperature : -30°C to 85°C.

Materials

Case : Dially phthalate (DAP).
 Actuator : Brass, chrome plated.
 Bushing : Brass, nickel plated.
 Housing : Stainless steel.
 Terminal/contact : Silver or gold plated.

Rating

Q : 2 amperes at 250V ac
 : 5 amperes at 120V ac or 28V dc.

This data sheet and its contents (the "Information") belong to the Premier Farnell Group (the "Group") or are licensed to it. No licence is granted for the use of it other than for information purposes in connection with the products to which it relates. No licence of any intellectual property rights is granted. The Information is subject to change without notice and replaces all data sheets previously supplied. The Information supplied is believed to be accurate but the Group assumes no responsibility for its accuracy or completeness, any error in or omission from it or for any use made of it. Users of this data sheet should check for themselves the Information and the suitability of the products for their purpose and not make any assumptions based on information included or omitted. Liability for loss or damage resulting from any reliance on the Information or use of it (including liability resulting from negligence or where the Group was aware of the possibility of such loss or damage arising) is excluded. This will not operate to limit or restrict the Group's liability for death or personal injury resulting from its negligence. SPC MULTICOMP is the registered trademark of the Group. © Premier Farnell plc 2009.

TOLERANCES:

UNLESS OTHERWISE SPECIFIED, DIMENSIONS ARE FOR REFERENCE PURPOSES ONLY.

DRAWN BY:	DATE:
Venkat	04/04/09
CHECKED BY:	DATE:
Veena	04/04/09
APPROVED BY:	DATE:
Farnell	19/04/09

DRAWING TITLE:			
1MD1T1B5M1QE - Miniature Toggle Switches			
SIZE	DWG NO.	ELECTRONIC FILE	REV
A	M10002039	39980_DWG	A
SCALE: NTS		U.O.M.: mm (Inches)	SHEET: 2 OF 3



PART NO.

1MD1T1B5M1QE

REVISIONS

ECN #	REV	DESCRIPTION	DRAWN	DATE	CHECKD	DATE	APPRVD	DATE
-	A	RELEASED	Venkat	04/04/09	Veena	04/04/09	Farnell	19/04/09

Switch Function

	Position 1	Position 2	Position 3
Model Number			
1MD1	On	None	On
Term. Comm.	2 - 3, 5 - 6		2 -1, 5 - 4
Schematic		Open	

Part Number Table

Description	Part Number
Switch, DPDT	1MD1T1B5M1QE

<http://www.farnell.com>

<http://www.newark.com>

<http://www.cpc.co.uk>

This data sheet and its contents (the "Information") belong to the Premier Farnell Group (the "Group") or are licensed to it. No licence is granted for the use of it other than for information purposes in connection with the products to which it relates. No licence of any intellectual property rights is granted. The Information is subject to change without notice and replaces all data sheets previously supplied. The Information supplied is believed to be accurate but the Group assumes no responsibility for its accuracy or completeness, any error in or omission from it or for any use made of it. Users of this data sheet should check for themselves the Information and the suitability of the products for their purpose and not make any assumptions based on information included or omitted. Liability for loss or damage resulting from any reliance on the Information or use of it (including liability resulting from negligence or where the Group was aware of the possibility of such loss or damage arising) is excluded. This will not operate to limit or restrict the Group's liability for death or personal injury resulting from its negligence. SPC MULTICOMP is the registered trademark of the Group. © Premier Farnell plc 2009.

TOLERANCES:
UNLESS OTHERWISE SPECIFIED, DIMENSIONS ARE FOR REFERENCE PURPOSES ONLY.

DRAWN BY:	DATE:
Venkat	04/04/09
CHECKED BY:	DATE:
Veena	04/04/09
APPROVED BY:	DATE:
Farnell	19/04/09

DRAWING TITLE:

1MD1T1B5M1QE - Miniature Toggle Switches

SIZE A	DWG NO. M10002039	ELECTRONIC FILE 39980_DWG	REV A
SCALE: NTS		U.O.M.: mm (Inches)	SHEET: 3 OF 3