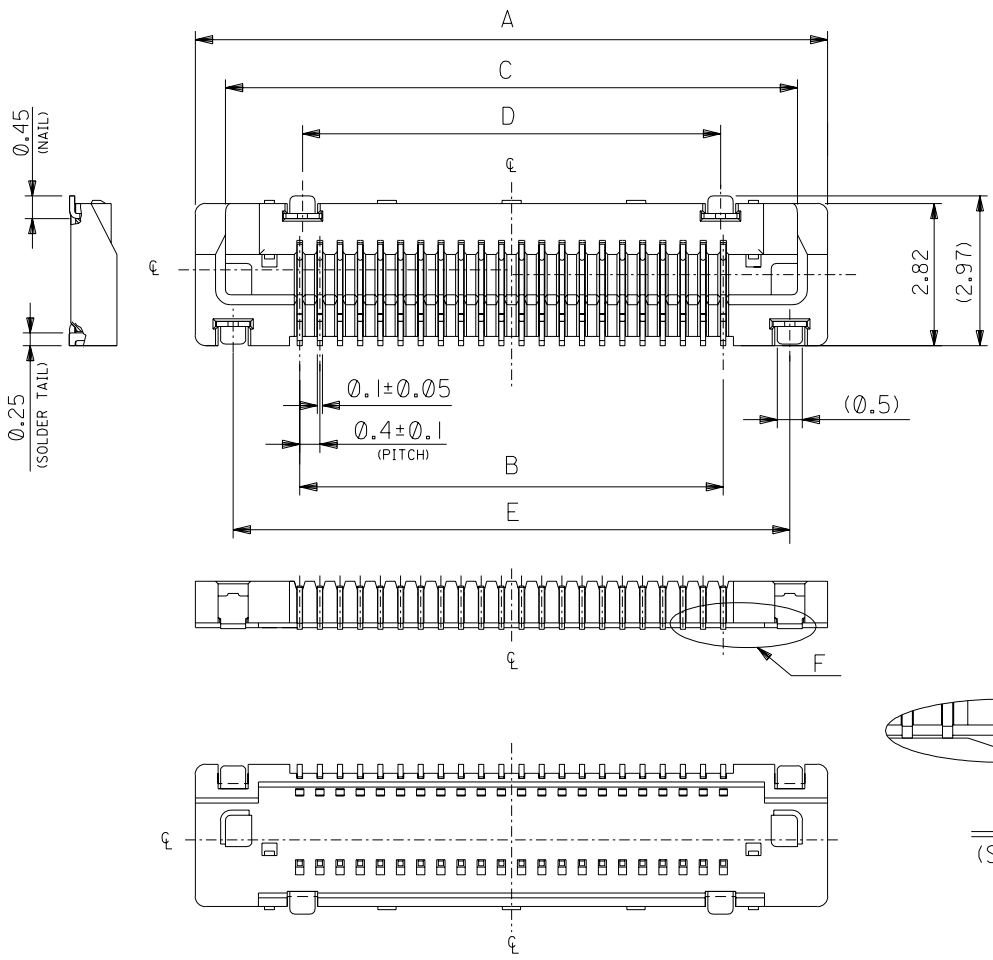


DWG. NO.  
SD-500463-009



0.1MAX  
NAIL AND TAIL COPLANARITY

DETAIL F  
(SCALE:20-1)

注記  
NOTES

1. 材質  
MATERIAL

- 1-1.ハウジング:液晶ポリマーUL94V-0  
HOUSING:LIQUID CRYSTAL POLYMER (LCP)
- 1-2.ターミナル:銅合金  
TERMINAL:COPPER ALLOY
- 1-3.ネール:銅合金  
NAIL:COPPER ALLOY

2. メッキ仕様  
PLATING

- 2-1.ターミナル  
TERMINAL
  - 2-1-1.接点部:金フラッシュ  
CONTACT AREA:GOLD FLASH
  - 2-1-2.半田付け部:金フラッシュ  
SOLDER TAIL AREA :GOLD FLASH
  - 2-1-3.下地メッキ:ニッケルメッキ 0.1 MICROMETER MIN.  
UNDER PLATING:NICKELD PLATING 0.1 MICROMETER MIN.
- 2-2.ネール  
NAIL
  - 2-2-1.半田付け部:錫メッキ 1.0 MICROMETER MIN.  
NAIL:TIN PLATING 0.1 MICROMETER MIN.
  - 2-2-2.下地メッキ:ニッケルメッキ 0.5 MICROMETER MIN.  
UNDER PLATING:NICKEL PLATING 0.5 MICROMETER MIN.

3. テール及びネールの平直度は0.1以下  
TAIL AND NAIL COPLANARITY:0.1MAX.

4. 嵌合相手:500464 シリーズ  
MATE WITH:500464 SERIES

5. 本製品は 500463-\*\*\*1 の鉛フリー品である。  
THIS PRODUCT IS LEAD FREE OF 500463-\*\*\*1

11.04	8.29	11.34	8.4	12.54	500463-2219	22
8.64	5.89	8.94	6	10.14	500463-1619	16
5.04	2.29	5.34	2.4	6.54	500463-0719	7
E	D	C	B	A	MATERIAL NO.	CIRCUIT

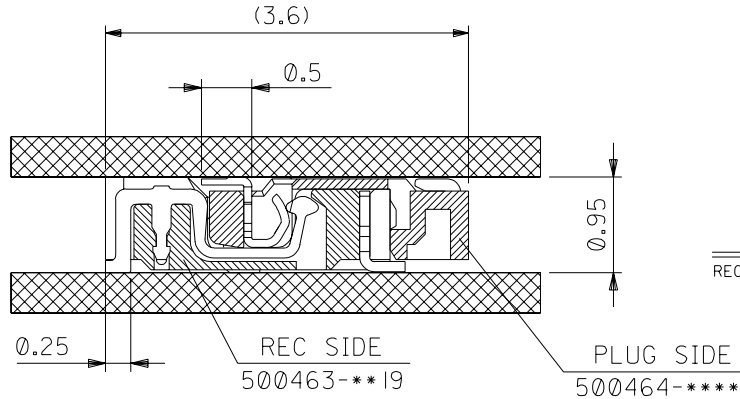
DO NOT SCALE DRAWING

EC NO. DRWN: CHK: APPR:	EC NO. DRWN: CHK: APPR:	EC NO. DRWN: CHK: APPR:	EC NO. DRWN: CHK: APPR:	EC NO. DRWN: CHK: APPR:	RELEASED EC NO. J2004-2556 DRWN:H.SHIMABUKURO CHK: K.TOJO APPR: M.SASAO	MATERIAL 材料 SEE NOTES	GENERAL TOLERANCES: (UNLESS SPECIFIED) 一般公差	SCALE #	DESIGN UNITS <input checked="" type="checkbox"/> mm <input type="checkbox"/> INCH	MODEL.NO.	DIMENSIONS: <input type="checkbox"/> mm <input type="checkbox"/> INCH <input checked="" type="checkbox"/> mm ONLY	SHT REV	
					0	FINISH 仕上げ SEE NOTES	10 UNDER 未満 ±0.2	DRAWN BY & DATE H.SHIMABUKURO 04/2/20	TITLE: 0.4 B/B H=0.95 REC HS'G ASSY -LEAD FREE-	APPROVED BY & DATE M.SASAO	MOLEX MOLEX INCORPORATED		
						WIRE RANGE 適用電線範囲	10 OVER 30 UNDER 以上 未満 ±0.25	CHECKED BY & DATE K.TOJO		CAD FILENAME 500463009.S01	MATERIAL NO. SEE CHART	DRAWING NO. SD-500463-009	SHEET NO. 1 OF 2
						INS. RANGE 被覆外径	30 OVER 以上 ±0.3	APPROVED BY & DATE M.SASAO					SIZE B
						REV	ANGLE 角度 ±3°						

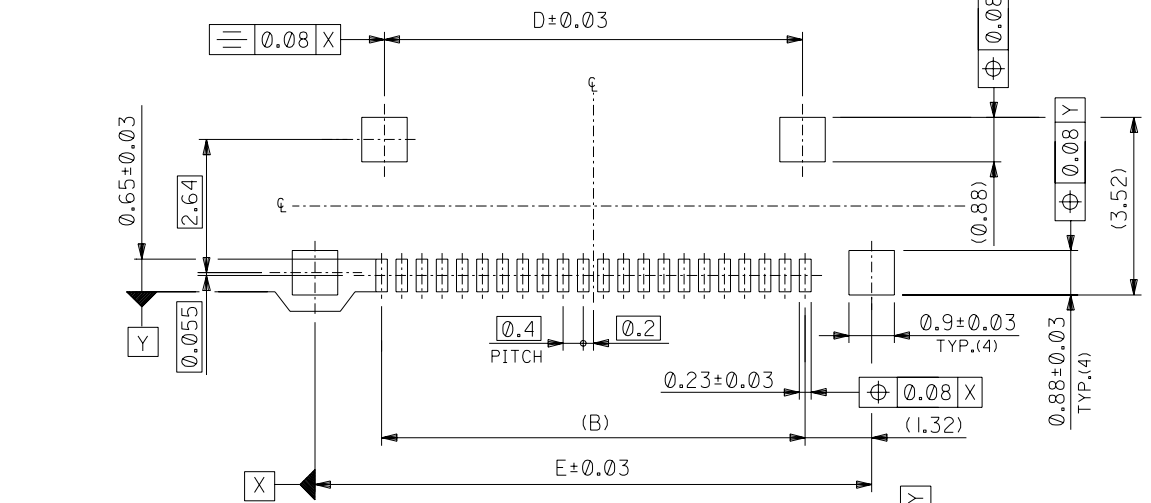
THIS DRAWING CONTAINS INFORMATION THAT IS PROPRIETARY TO MOLEX INCORPORATED AND SHOULD NOT BE USED WITHOUT WRITTEN PERMISSION.

SD-500463-009S01

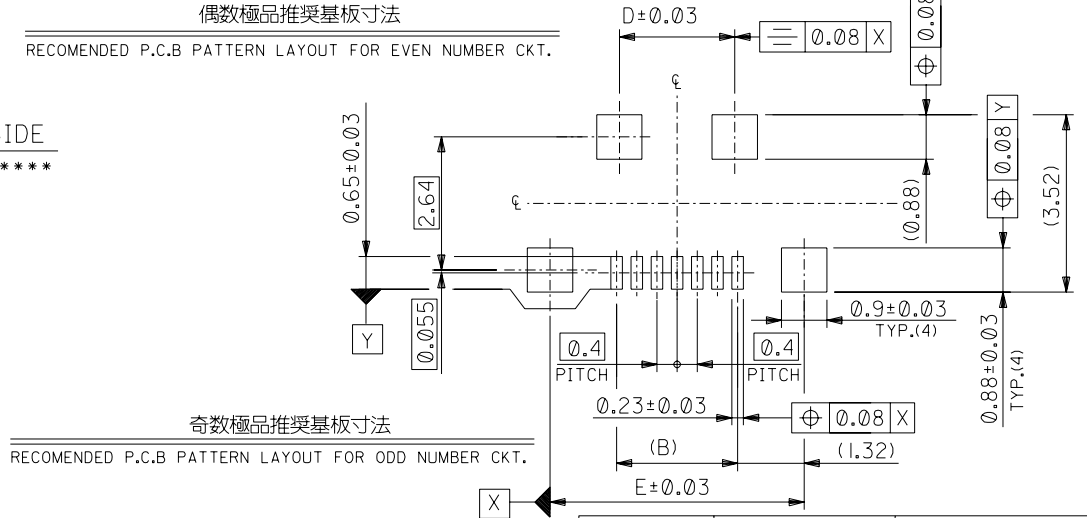
DWG. NO.  
SD-500463-009



嵌合断面図 (参考)  
MATED DRAWING



偶数極品推奨基板寸法  
RECOMMENDED P.C.B PATTERN LAYOUT FOR EVEN NUMBER CKT.

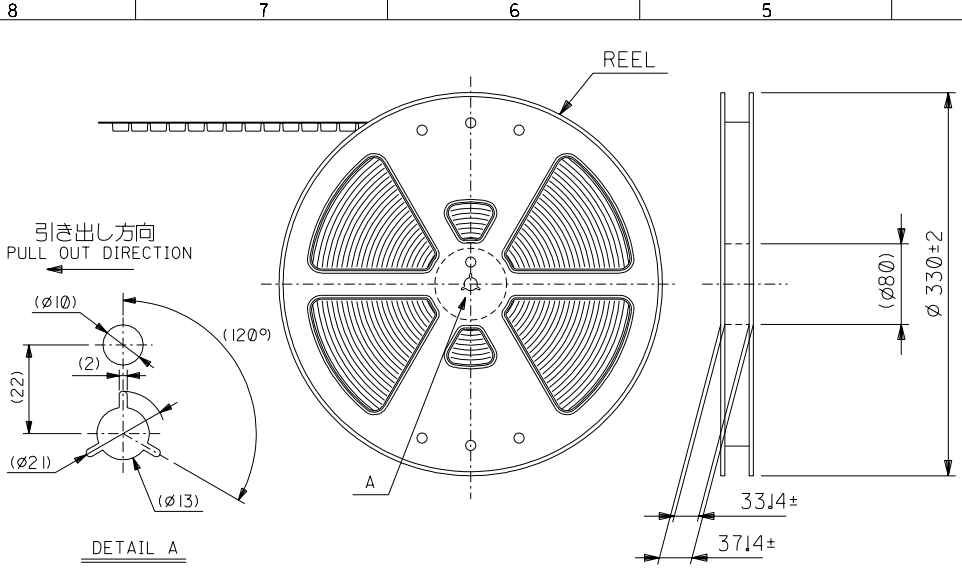


奇数極品推奨基板寸法  
RECOMMENDED P.C.B PATTERN LAYOUT FOR ODD NUMBER CKT.

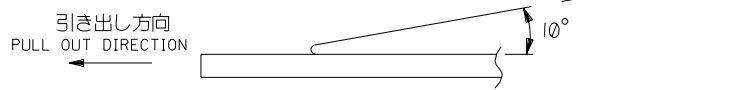
DO NOT SCALE DRAWING

EC NO. DRWN: CHK: APPR:	EC NO. DRWN: CHK: APPR:	EC NO. DRWN: CHK: APPR:	EC NO. DRWN: CHK: APPR:	EC NO. DRWN: CHK: APPR:	SEE SHEET 1 OF 2	MATERIAL 材料 SEE NOTES	GENERAL TOLERANCES: (UNLESS SPECIFIED) 一般公差	SCALE — #	DESIGN UNITS <input checked="" type="checkbox"/> mm <input type="checkbox"/> INCH	THIRD ANGLE PROJECTION	DIMENSIONS: <input type="checkbox"/> mm <input type="checkbox"/> INCH <input checked="" type="checkbox"/> mm ONLY	SHT REVISE ON CAD ONLY	REV
						FINISH 仕上り SEE NOTES	10 UNDER 未満 ±0.2	DRAWN BY & DATE H.SHIMABUKURO '04/2/20	TITLE: 0.4 B/B H=0.95 REC HS'G ASSY -LEAD FREE-				
						WIRE RANGE 適用電線範囲 — #	10 OVER 30 UNDER 以上 未満 ±0.25	CHECKED BY & DATE K.TOJO '04/2/20	MATERIAL NO. SEE CHART				
						INS. RANGE 被覆外径 — #	30 OVER 以上 ±0.3	APPROVED BY & DATE M.SASO '04/2/20	DRAWING NO. SD-500463-009				SHEET NO. 2
							ANGLE 角度 ±3°	CAD FILENAME 500463009.S02	DRAWING NO. SD-500463-009				SIZE B
THIS DRAWING CONTAINS INFORMATION THAT IS PROPRIETARY TO MOLEX INCORPORATED AND SHOULD NOT BE USED WITHOUT WRITTEN PERMISSION.													

DWG. NO. SD-500463-010



4. トップテープの剥離強度: 0.1~1.3N {10~130gf}  
 PEEL-OFF FORCE OF TOP TAPE: 0.1~1.3N {10~130gf}  
 (剥離方向は下図参照)  
 (PEELING DIRECTION AS SHOWN IN FOLLOWING FIG.)  
 尚、本規格値は、出荷時に適用。  
 (但し、輸送時に剥離が発生しない事。)

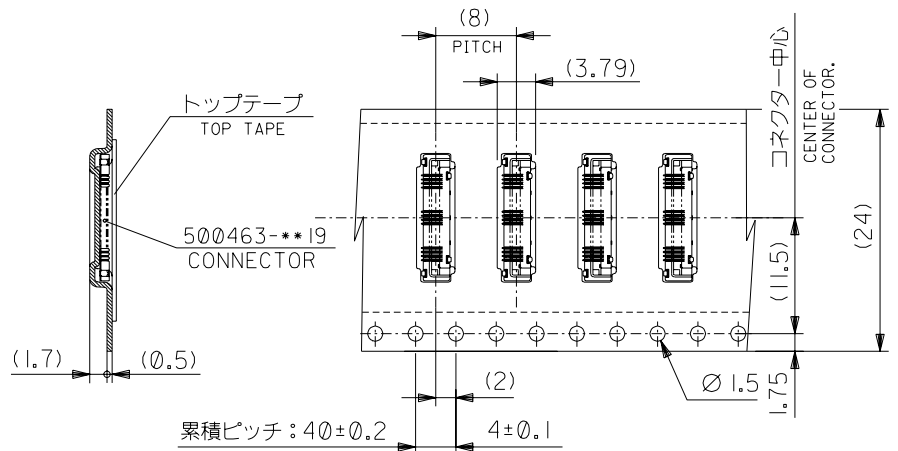
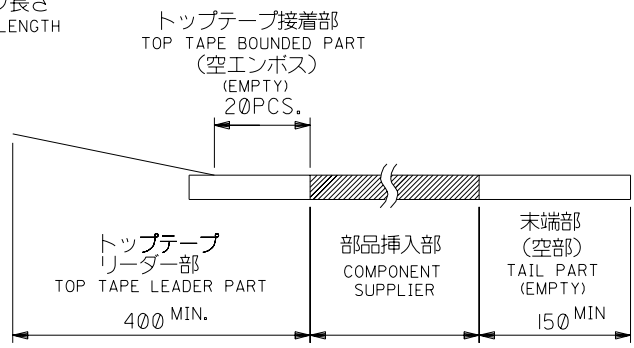


5. 材料  
 MATERIAL  
 キャリアテープ: ポリプロピレン (PP)  
 CARRIER TAPE: POLYPROPYLENE (PP)  
 トップテープ: PET, PE, PEF  
 CARRIER TAPE: POLYPROPYLENE (PP)  
 リール: ポリスチレン  
 REEL: POLYSTYRENE

6. 本製品は 500463-\*\*\*9 の鉛フリー品である。  
 THIS PRODUCT IS LEAD FREE OF 500463-\*\*\*9

注記  
 NOTES

- 製品番号 500463-\*\*\*19 の詳細寸法については、SD-500463-009 を参照下さい。  
 IN THE PACKAGE, PART NO. 500463-\*\*\*19 RE DETAILED DIMENSIONS, SEE SD-500463-009
- 梱包数量: 2500個/リール  
 NUMBER OF CONNECTOR: 2500 PSC/REEL
- リードテープ長さ  
 LEAD TAPE LENGTH



22	500463-2219	500463-2279
16	500463-1619	500463-1679
7	500463-0719	500463-0779
CKT.	CONNECTOR	MATERIAL No.

DO NOT SCALE DRAWING

EC NO. DRWN: CH'K: APPR:		EC NO. DRWN: CH'K: APPR:		EC NO. DRWN: CH'K: APPR:		EC NO. DRWN: CH'K: APPR:		EC NO. DRWN: CH'K: APPR:		RELEASED EC NO. J2004-2556 DRWN: H. SHIMABUKURO CH'K: K. TOJO APPR: M. SASAO		MATERIAL 材料 SEE NOTES		GENERAL TOLERANCES: (UNLESS SPECIFIED) 一般公差		SCALE		DESIGN UNITS		500463-***19 MODEL NO.		DIMENSIONS:		SHT		REV	
										FINISH 仕上げ		10 UNDER 未満 ±0.2		DRAWN BY & DATE H. SHIMABUKURO 04/2/20		THIRD ANGLE PROJECTION		TITLE: EMBOSSD TAPE PACKAGE FOR 500463-***19 -LEAD FREE-		mm INCH		REVISE ON CAD ONLY					
										WIRE RANGE 適用電線範囲		10 OVER 30 UNDER 未満 ±0.25		CHECKED BY & DATE K. TOJO		MATERIAL NO.		DRAWING NO.		SHEET NO.							
										INS. RANGE 被覆外径		30 OVER 以上 ±0.3		APPROVED BY & DATE M. SASAO		MATERIAL NO. 500463010.S01		DRAWING NO. SD-500463-010		SHEET NO. 1 OF 1							
										ANGLE 角度		±3°		THIS DRAWING CONTAINS INFORMATION THAT IS PROPRIETARY TO MOLEX INCORPORATED AND SHOULD NOT BE USED WITHOUT WRITTEN PERMISSION.												SIZE B	

SD-500463-010.501