
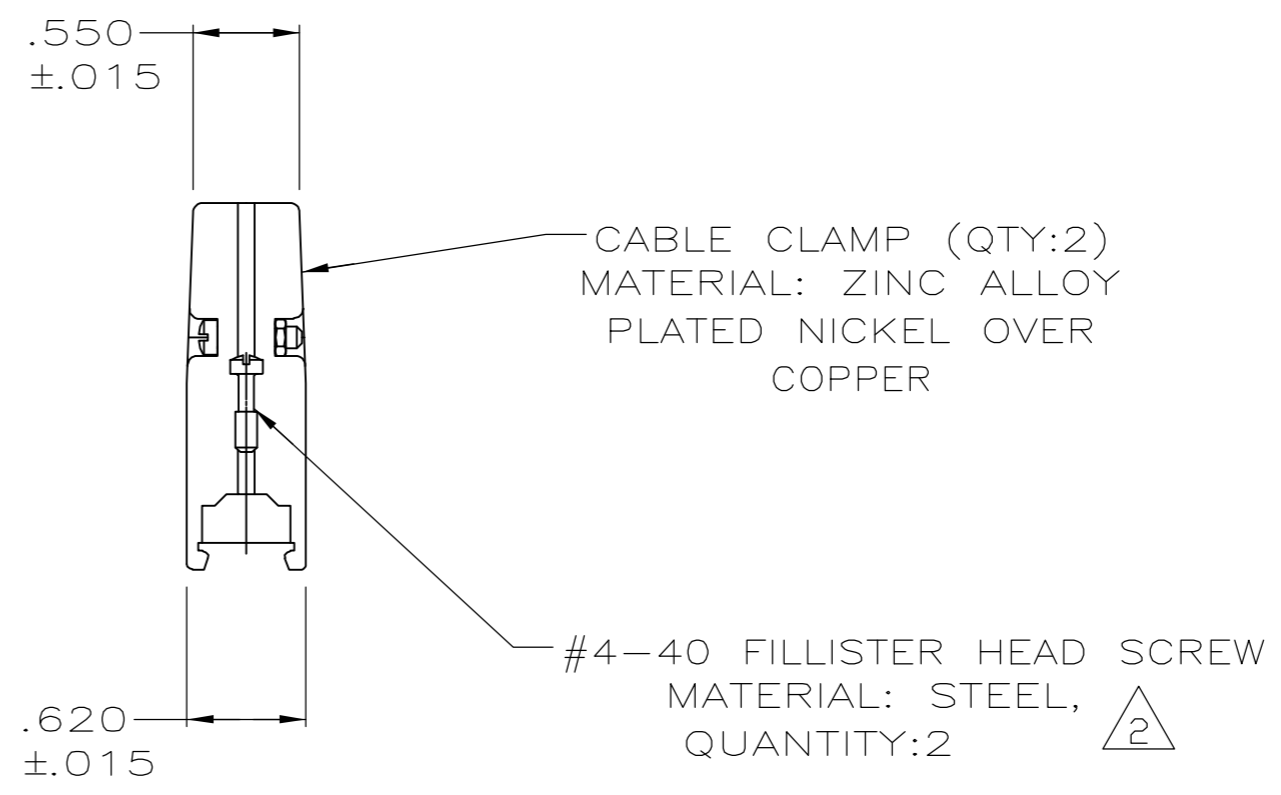
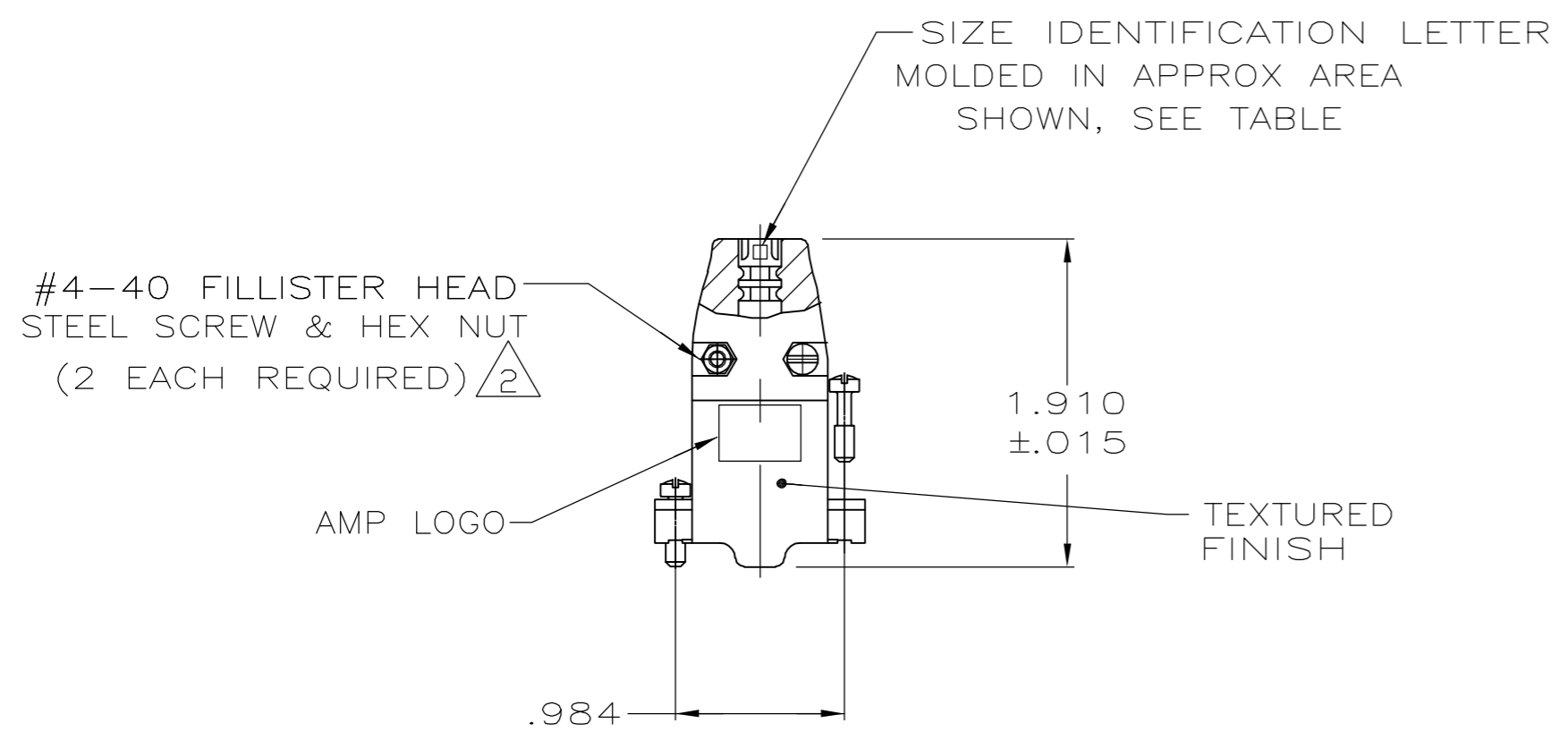
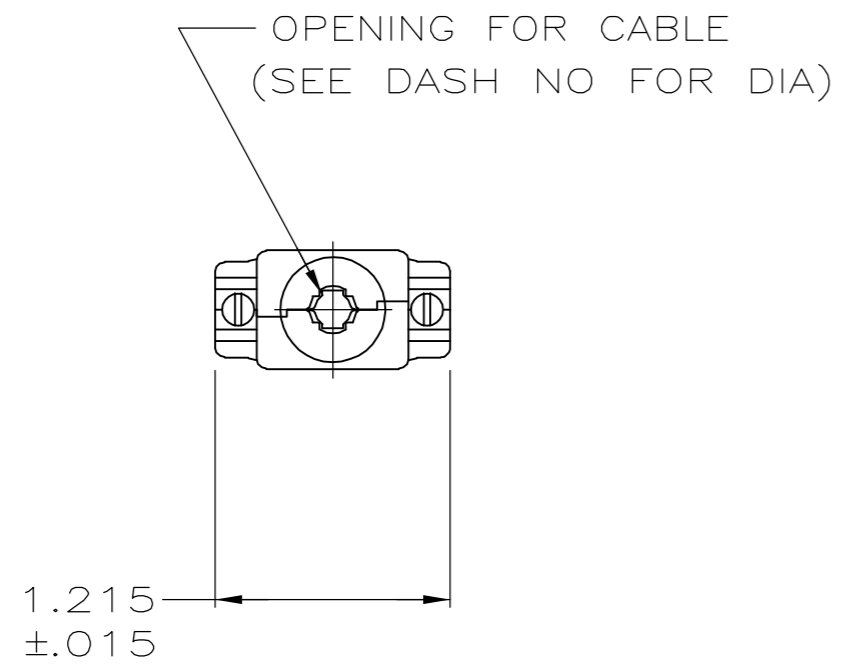


THIS DRAWING IS UNPUBLISHED. RELEASED FOR PUBLICATION
 © COPYRIGHT BY TYCO ELECTRONICS CORPORATION. ALL RIGHTS RESERVED.


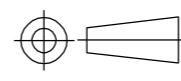
LOC		DIST		REVISIONS			
P	LTR	DESCRIPTION		DATE	DWN	APVD	
GP	00	01		REVISED PER ECO-06-010664	18AUG06	JRP	CR

- 1. PARTS PACKAGED UNASSEMBLED.
-  ZINC PLATED .000200-.000400 THICK, CLEAR CHROMATE COATING.



H	.370	5745171-5
A	.200	5745171-2
C	.250	5745171-1
NECK IDENT	CABLE DIA	PART NO

**COPYRIGHT 2005
 TYCO ELECTRONICS CORP
 ALL RIGHTS RESERVED**

THIS DRAWING IS A CONTROLLED DOCUMENT.		DWN	B. MCMASTER	28JULY05	 Tyco Electronics Corporation Harrisburg, Pa 17105-3608
DIMENSIONS: INCHES		CHK	C. ROHDE	28JULY05	
		APVD	M. WALMSLEY	28JULY05	
TOLERANCES UNLESS OTHERWISE SPECIFIED:		PRODUCT SPEC		NAME	
MATERIAL SEE CALLOUTS		FINISH SEE CALLOUTS		APPLICATION SPEC	
		WEIGHT		-	
		CUSTOMER DRAWING		SCALE 1:1 SHEET 1 OF 1 REV 01	