

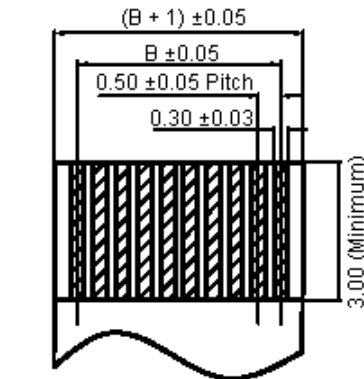
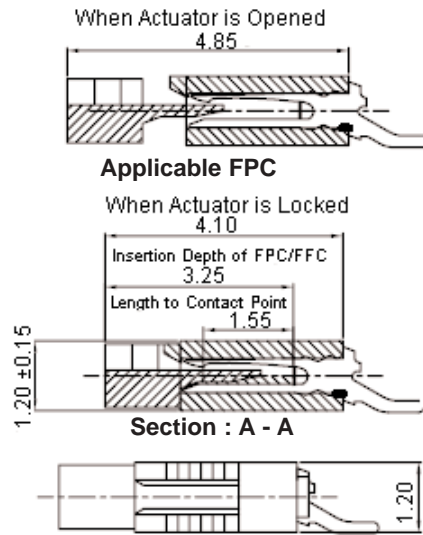
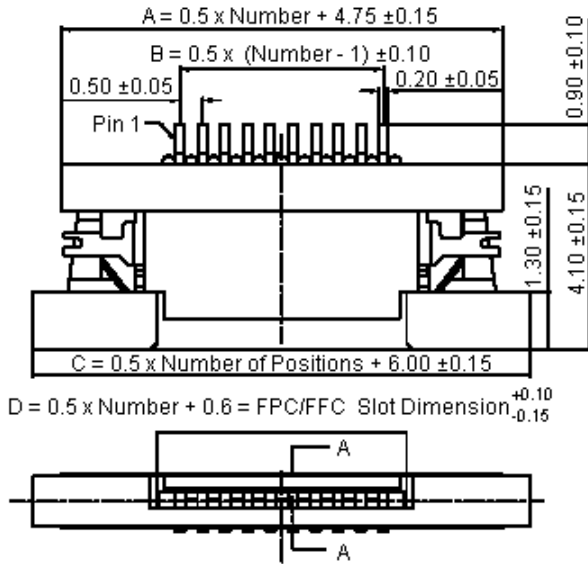


PART NO.

1226 - Series

REVISIONS

ECN #	REV	DESCRIPTION	DRAWN	DATE	CHECKD	DATE	APPRVD	DATE
-	A	RELEASED	Veena	18/11/08	Suresh	18/11/08	Farnell	02/12/08



Thickness : 0.30 ± 0.03
FPC Dimension Reference

Dimensions : Millimetres



Specifications:

- Current rating : 0.5A ac/dc.
- Voltage rating : 50V ac/dc.
- Maximum contact resistance : 20mΩ.
- Minimum insulation resistance : 50MΩ.
- Withstanding voltage : 500V ac for one Minute.
- Operating temperature range : -25°C to +85°C.

Material and Finish:

- Insulator : High temperature plastic (nylon 46).
- Insulator colour : White.
- Contact material : Phosphor bronze.
- Plating : Tin plated.

Soldering temperature profile:

- Maximum IR reflow temperature : 260°C, 5 second.
- Maximum manual soldering temperature : 400°C, 3 second.

This data sheet and its contents (the "Information") belong to the Premier Farnell Group (the "Group") or are licensed to it. No licence is granted for the use of it other than for information purposes in connection with the products to which it relates. No licence of any intellectual property rights is granted. The Information is subject to change without notice and replaces all data sheets previously supplied. The Information supplied is believed to be accurate but the Group assumes no responsibility for its accuracy or completeness, any error in or omission from it or for any use made of it. Users of this data sheet should check for themselves the Information and the suitability of the products for their purpose and not make any assumptions based on information included or omitted. Liability for loss or damage resulting from any reliance on the Information or use of it (including liability resulting from negligence or where the Group was aware of the possibility of such loss or damage arising) is excluded. This will not operate to limit or restrict the Group's liability for death or personal injury resulting from its negligence. SPC MULTICOMP is the registered trademark of the Group. © Premier Farnell plc 2008.

TOLERANCES:

UNLESS OTHERWISE SPECIFIED, DIMENSIONS ARE FOR REFERENCE PURPOSES ONLY.

DRAWN BY:	DATE:
Veena	18/11/08
CHECKED BY:	DATE:
Suresh	18/11/08
APPROVED BY:	DATE:
Farnell	02/12/08

DRAWING TITLE:

0.5mm FPC Connector - Top Contact

SIZE	DWG NO.	ELECTRONIC FILE	REV
A	M10001812	1661217-TDS_DWG	A
SCALE: NTS	U.O.M.: mm	SHEET: 1 OF 3	



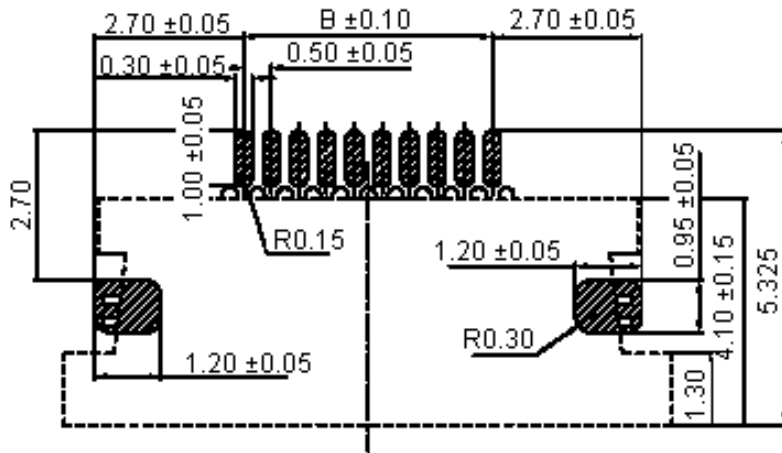
PART NO.

1226 - Series

REVISIONS

ECN #	REV	DESCRIPTION	DRAWN	DATE	CHECKD	DATE	APPRVD	DATE
-	A	RELEASED	Veena	18/11/08	Suresh	18/11/08	Farnell	02/12/08

PCB Layout Reference



Dimensions : Millimetres

Specification Table

Number of Positions	A	B	C	D	Part Number
10	9.75	4.50	11.00	5.60	1226-10-03-H12
14	11.75	6.50	13.00	7.60	1226-14-03-H12
18	13.75	8.50	15.00	9.60	1226-18-03-H12
20	14.75	9.50	16.00	10.60	1226-20-03-H12
24	16.75	11.50	18.00	12.60	1226-24-03-H12
28	18.75	13.50	20.00	14.60	1226-28-03-H12
30	19.75	14.50	21.00	15.60	1226-30-03-H12
40	24.75	19.50	26.00	20.60	1226-40-03-H12
50	29.75	24.50	31.00	25.60	1226-50-03-H12

Dimensions : Millimetres

This data sheet and its contents (the "Information") belong to the Premier Farnell Group (the "Group") or are licensed to it. No licence is granted for the use of it other than for information purposes in connection with the products to which it relates. No licence of any intellectual property rights is granted. The Information is subject to change without notice and replaces all data sheets previously supplied. The Information supplied is believed to be accurate but the Group assumes no responsibility for its accuracy or completeness, any error in or omission from it or for any use made of it. Users of this data sheet should check for themselves the Information and the suitability of the products for their purpose and not make any assumptions based on information included or omitted. Liability for loss or damage resulting from any reliance on the Information or use of it (including liability resulting from negligence or where the Group was aware of the possibility of such loss or damage arising) is excluded. This will not operate to limit or restrict the Group's liability for death or personal injury resulting from its negligence. SPC MULTICOMP is the registered trademark of the Group. © Premier Farnell plc 2008.

TOLERANCES:
UNLESS OTHERWISE SPECIFIED, DIMENSIONS ARE FOR REFERENCE PURPOSES ONLY.

DRAWN BY:	DATE:
Veena	18/11/08
CHECKED BY:	DATE:
Suresh	18/11/08
APPROVED BY:	DATE:
Farnell	02/12/08

DRAWING TITLE:			
0.5mm FPC Connector - Top Contact			
SIZE	DWG NO.	ELECTRONIC FILE	REV
A	M10001812	1661217-TDS_DWG	A
SCALE: NTS		U.O.M.: mm	SHEET: 2 OF 3

