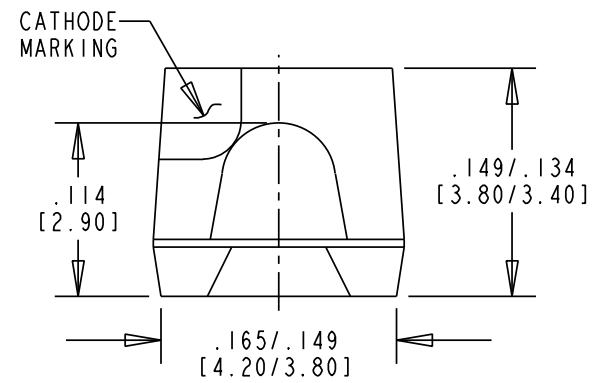
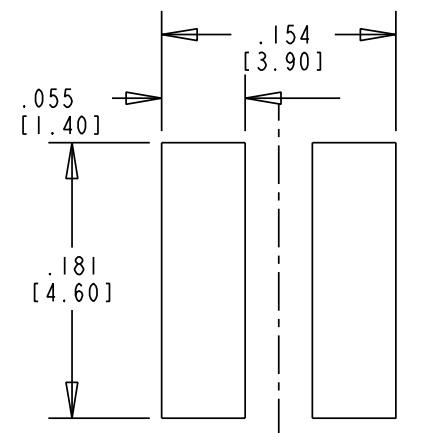
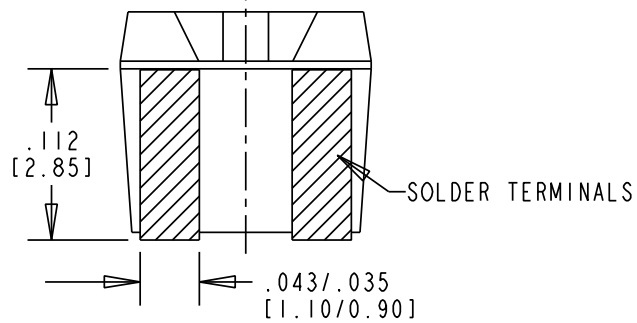
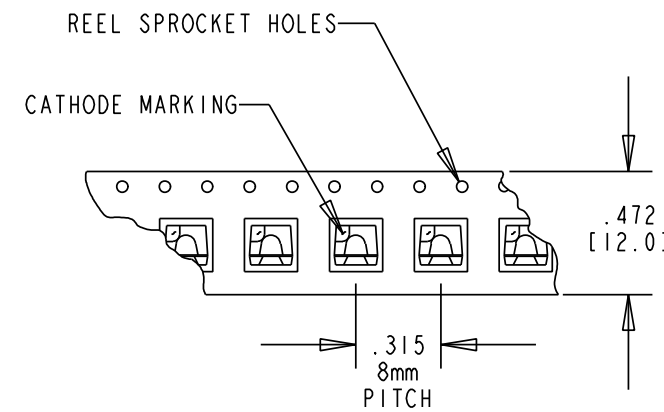
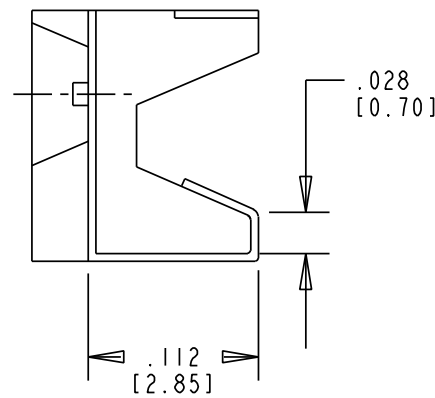
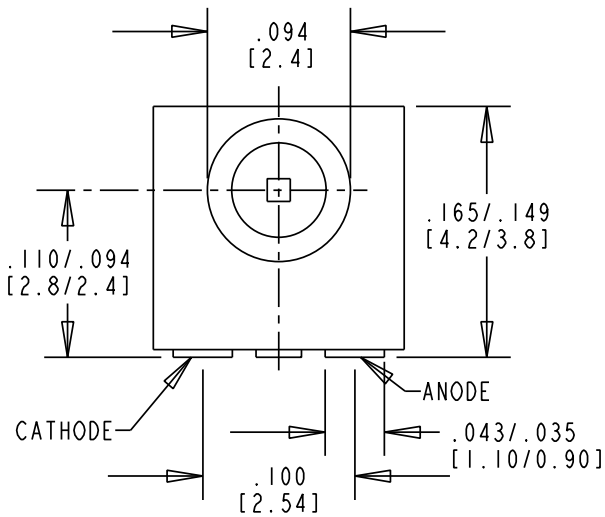
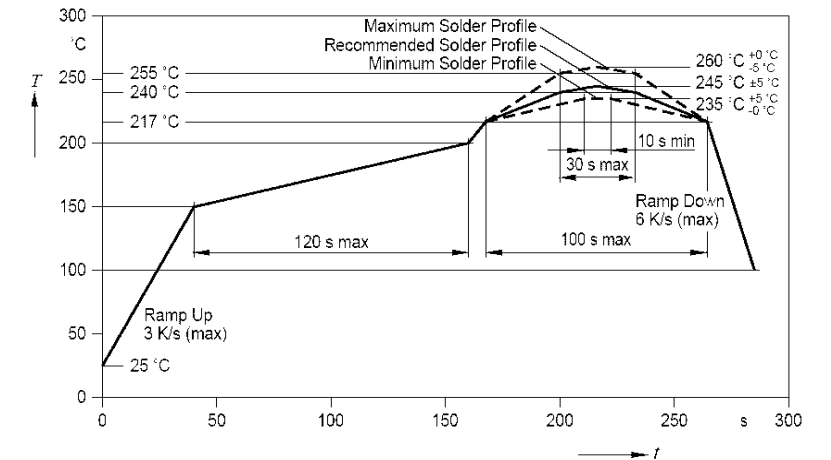


REV.	ECN NO.	REVISIONS	DRN.	CKD.	APP.	DATE
A	—	NEW RELEASE	TWC			



NOTES:

- COLORLESS CLEAR WINDOW.
- LED CHIP: YELLOW GaP/GaAsP, GREEN GaP/GaP, RED GaP/GaAsP.
- 2000 PARTS/REEL, 330 mm DIA. REEL WITH 12 mm WIDTH CARRIER. REEL AND PACKAGING HAS A LABEL WITH DIALIGHT LOGO, DIALIGHT P/N, QTY PER REEL, DATE CODE, INTENSITY BIN CODE, COUNTRY OF ORIGIN.
- DIALIGHT PART NUMBER: 597-2001-213F, -202F
597-2301-213F, -202F
597-2401-213F, -202F.
- TERMINALS ARE TIN (Sn) PLATED WITH NICKEL (Ni) UNDERPLATING OVER COPPER (Cu)



BI-COLOR OPERATING CHARACTERISTICS AT T _a = 25 °C AMBIENT														
DIALIGHT P/N	COLOR	I _F (mA)	FORWARD VOLTAGE (V)		LUMINOUS INTENSITY (mcd)		PEAK WAVELENGTH (nm)	DOMINANT WAVELENGTH (nm)			VIEWING ANGLE (2 θ 1/2)	REVISIONS		
			TYP.	MAX.	MIN.	TYP.	MAX.	TYP.	MIN.	TYP.		MAX.	REV.	ECN.
597-2001-213F, -202F	RED	10	2.0	2.5	4.0	18.0	32.0	635	631	638	644	120	A	—
597-2301-213F, -202F	GREEN	10	2.0	2.5	4.5	16.3	28.0	572	564	570	576	120	A	—
597-2401-213F, -202F	YELLOW	10	2.0	2.5	5.6	18.8	32.0	586	580	587	595	120	A	—

ABSOLUTE MAXIMUM RATINGS AT 25 °C AMBIENT	YELLOW	GREEN	RED	UNITS
POWER DISSIPATION	95		100	mW
CONTINUOUS FORWARD CURRENT	30			mA
REVERSE VOLTAGE	5			V
OPERATING TEMPERATURE	-40 TO +100		-55 TO +100	°C
STORAGE TEMPERATURE	-40 TO +100		-55 TO +100	°C

THIS DRAWING AND THE CONTENTS HEREIN ARE CONFIDENTIAL AND THE SOLE PROPERTY OF DIALIGHT. REPRODUCTION OF THIS DRAWING OR CONSTRUCTION OF ANY PARTS WITHIN THIS DRAWING ARE FORBIDDEN WITHOUT THE WRITTEN CONSENT OF DIALIGHT.

SCALE: DRAWING SCALE	DRAWING NUMBER	REV
ALL DIM'S IN: INCHES (MM)	C-17300	A
TOLERANCES: UNLESS OTHERWISE SPECIFIED	TITLE SMT-SIDELED RoHS COMPLIANT	
FRACTIONS: ±1/64	MATERIAL	
DECIMALS (.XX): ±.01	Dialight	
DECIMALS (.XXX): ±.005	1501 ROUTE 34 SOUTH FARMINGDALE, NJ 07727	
DECIMALS (.XXXX): ±.0005	FINISH:	
ANGLES: ±1°	FSCM 83330	
	SHEET 1 OF 1	FAMILY TABLE: