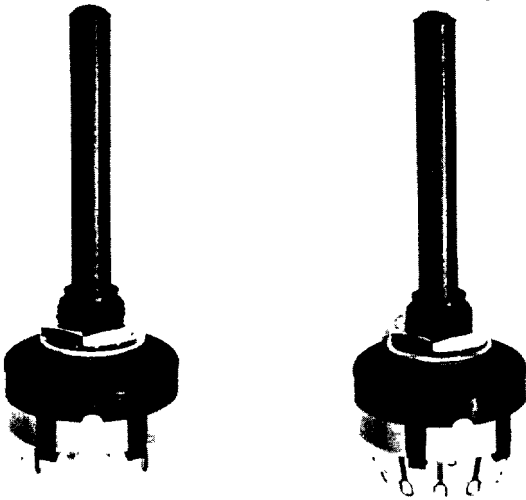


CK ROTARY SWITCHES & SECURITY LOCK SWITCHES

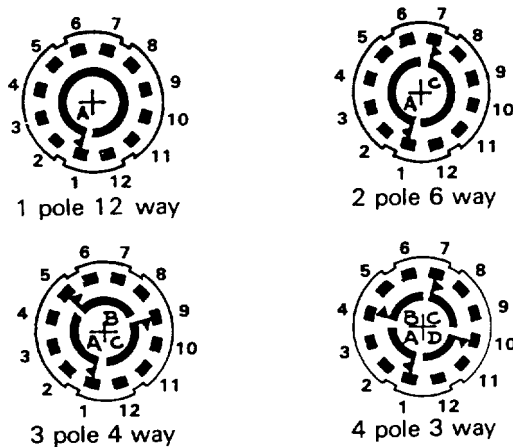
LORLIN

422-381 to 538



GENERAL ELECTRICAL AND MECHANICAL SPECIFICATION

Maximum working voltage:	300V AC/DC Resistive Load.
Proof voltage:	1,000V RMS min
Current carrying capacity:	5A (Non-switching).
Contact rating:	150mA 250V AC/DC.
Insulation resistance:	25,000 Megohms min.
Contact resistance:	50 milliohms max.
Operating temperature:	-30°C to +85°C.
Life:	Greater than 10,000 cycles.
Operating torque (nominal)	Standard 5.6 Ncm. Light action 2.1 Ncm.
End stop torque (minimum)	1.13 Nm.
Moulding material	Glass filled nylon.
Contact/terminal material:	Silver plated brass.



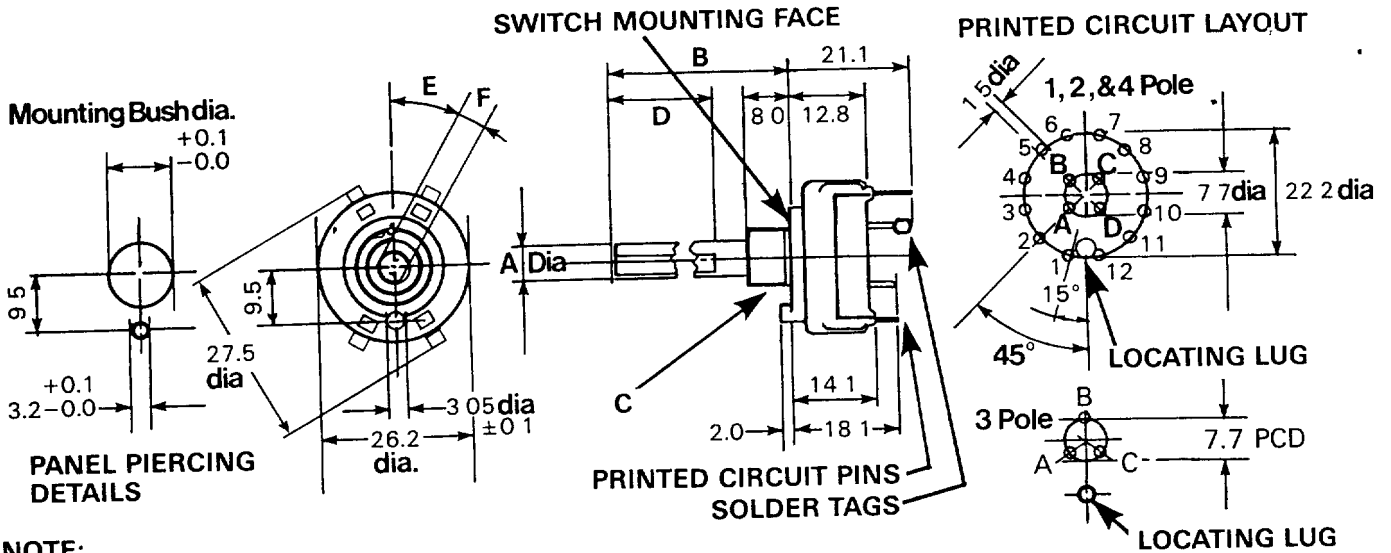
TERMINAL LAYOUTS
VIEWED FROM KNOB END OF SPINDLE

- Made in U.K.
- Moulded 27.5mm diameter single wafer switch
- Standard Indexing 30°
- Solder or printed circuit terminals
- Shorting (with 30° indexing) or non-shorting contacts
- Adjustable stop to restrict number of positions
- Special options include:- 60° or 90° indexing, continuous rotation; fixed stop, UL-V-0 rated material, gold flashed or gold plated (2.5 microns gold over 2 microns nickel) contacts, spindles with special flats, slots or knurls. Stainless steel ball-bearings can be fitted to ensure trouble-free operation in conditions of high humidity.

STANDARD PART NUMBERS

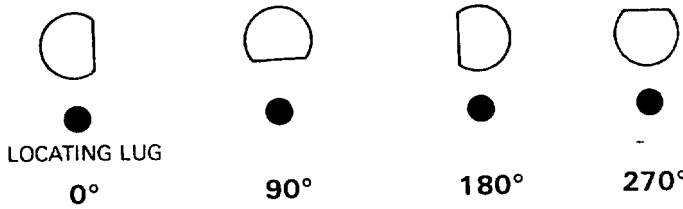
BASIC TYPES	A	B	C	D	E	F
	Spindle Diameter	Spindle Length From Mounting Face	8mm long Bush	Spindle Flat Length	Angle of Spindle Flat	Spindle Flat Thickness
Imperial	6.35mm	38mm	9 52x 32 TPI	30mm	90°	5.5mm
Metric	6.0mm	50mm	M10 x 0.75	NO FLAT	—	—

CIRCUITRY AT 30° INDEXING	STANDARD METRIC		STANDARD IMPERIAL	
	Shorting	Non Shorting	Shorting	Non Shorting
1 pole 12 positions Solder tag	CK1039	CK1029	CK1034	CK1024
Printed circuit	CK1059	CK1049	CK1054	CK1044
1 pole 12 positions Solder tag	NO STOP - CONTINUOUS ROTATION			
Printed circuit	CK1038	CK1028	CK1033	CK1023
2 pole 6 positions Solder tag	CK1040	CK1030	CK1035	CK1025
Printed circuit	CK1060	CK1050	CK1055	CK1045
2 pole 6 positions Solder tag	NO STOP - CONTINUOUS ROTATION			
Printed circuit	CK1114	CK1118	CK1120	CK1121
3 pole 4 positions Solder tag	CK1041	CK1031	CK1036	CK1026
Printed circuit	CK1061	CK1051	CK1056	CK1046
4 pole 3 positions Solder tag	CK1042	CK1032	CK1037	CK1027
Printed circuit	CK1062	CK1052	CK1057	CK1047



NOTE:
The angle of the spindle flat is shown with the locating lug at the bottom of the switch, when the switch is set in the fully anti-clockwise position (i.e. in position 1) viewed from the knob end of the spindle

TYPICAL SPINDLE FLAT ANGLES



MAXIMUM NUMBER OF POSITIONS (WAYS)

No of Poles \ Indexing Angle	Maximum No of Positions (ways)		
	30°	60°	90°
1	12	6	4
2	6	3	2
3	4	2	2
4	3	2	

ORDERING CODE

To specify a non-standard CK switch please complete the following

C	K															
				Spindle Length FMF in full MM												
INDEX ANGLE AND NO OF POLES		NO OF WAYS (POSITIONS)		MBB OR BBM Contact Type Contact Plating		Spindle Dia Spindle Fla. Depth Bush Dia		Length of Spindle Flat		Angle of Flat						
A	30°	1 Pole	A	2	A	BBM	Solder	Silver	A	2mm	N	15	A	0°	N	195°
B		2	B	3	B	MBB	Solder		B	3	O	No Flat	B	15°	O	No flat
C		3	C	4	C	BBM	PCB		C	4	P	16	C	30°	P	210°
D		4	D	5	D	MBB	PCB		D	5	Q	17	D	45°	Q	225°
E	60°	1 Pole	E	6	E	BBM	Solder	Gold Plate	E	6	R	18	E	60°	R	240°
F		2	F	7	F	MBB	Solder		F	7	S	19	F	75°	S	255°
G		3	G	8	G	BBM	PCB		G	8	T	20	G	90°	T	270°
H		4	H	9	H	MBB	PCB		H	9	U	21	H	105°	U	285°
I	90°	1 Pole	I	10	I	BBM	Solder	Gold Flash	I	10	V	22	I	120°	V	300°
J		2	J	11	J	MBB	Solder		J	11	W	23	J	135°	W	315°
K		3	K	12	K	BBM	PCB		K	12	X	24	K	150°	X	330°
			L		L	MBB	PCB		L	13	Y	25	L	165°	Y	345°
			Z	no stops					M	14			M	180°		

PLEASE SEND A DRAWING IF YOUR REQUIREMENTS CANNOT BE FULFILLED BY USING THE ORDERING CODE