

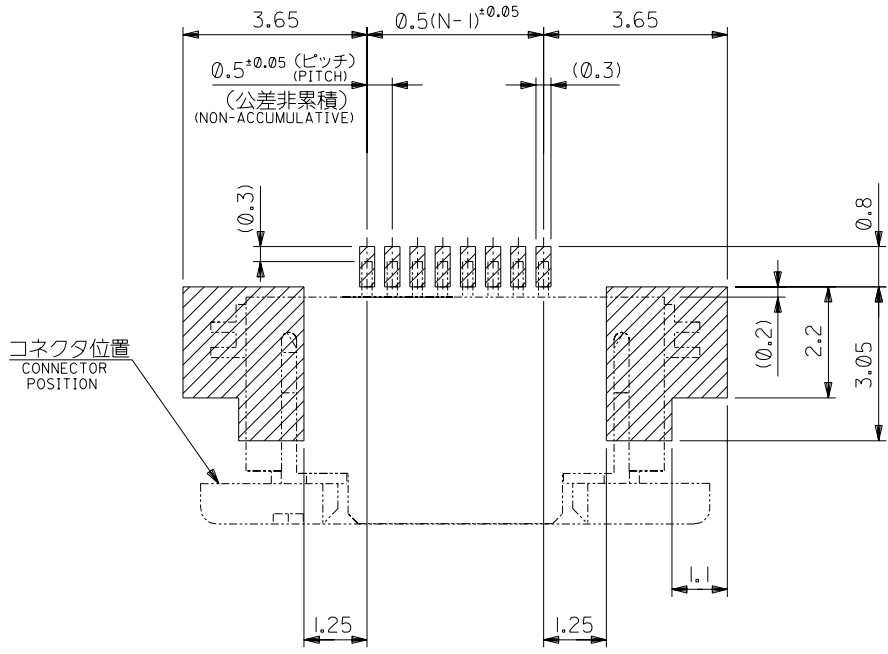
注記 NOTES

- 使用材料 MATERIAL
  - ハウジング HOUSING : ポリアミド46、ガラス充填、UL94V-0 (白) POLYAMIDE46, GLASS FILLED, UL94V-0(WHITE)
  - アクチュエータ ACTUATOR : ポリフェニレンサルファイド ガラス充填、UL94V-0 (黒) POLYPHENYLENE SULFIDE ,GLASS FILLED, UL94V-0(BLACK)
  - ターミナル TERMINAL : リン青銅、ニッケル下地純錫メッキ (t=0.2) PHOSPOR BRONZE ,TIN-BISMUTH OVER NICKEL PLATING
  - 金具 FITTING NAIL : リン青銅、ニッケル下地純錫メッキ (t=0.2) PHOSPOR BRONZE ,TIN OVER NICKEL PLATING
- エンボステープ極包時は、アクチュエータがロックした状態とする。  
IN THE PACKAGE,ACTUATOR OF PART NO.52745-\*\*\*19 SHOULD BE LOCKED.
- ソルダータール半田付け面のズレ量、及び金具半田付け面のズレ量は、基準面 H に対し上方向 0.1 MAX.、下方向 0.15 MAX. とする。  
MISALIGNMENT OF SOLDER TAILS AND FITTING NAILS FROM H UPPER DIRECTION: 0.1 MAX. , LOWER DIRECTION: 0.15MAX.
- 偶数極に適用。  
APPLY FOR EVEN CIRCUIT.
- パターンはくり止め用金具  
FITTING NAIL FOR PREVENTION OF PEELING OF P.C.B. PATTERN.
- 本製品は 52745-\*\*\*17 の鉛フリー品である。  
THIS PRODUCT IS LEAD FREE OF 52745-\*\*\*17

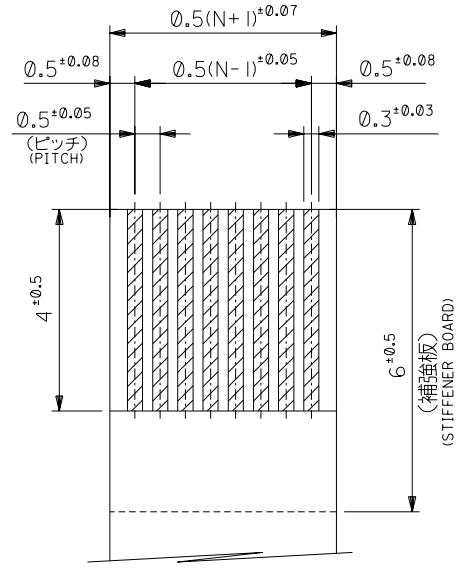
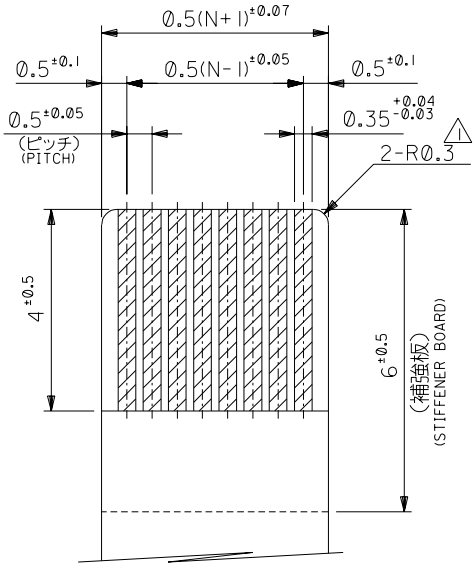
16.1	14.3	10.65	9.5	52745-2019	20
15.6	13.8	10.15	9.0	-1919	19
15.1	13.3	9.65	8.5	-1819	18
14.6	12.8	9.15	8.0	-1719	17
14.1	12.3	8.65	7.5	-1619	16
13.6	11.8	8.15	7.0	-1519	15
13.1	11.3	7.65	6.5	-1419	14
12.6	10.8	7.15	6.0	-1319	13
12.1	10.3	6.65	5.5	-1219	12
11.6	9.8	6.15	5.0	-1119	11
11.1	9.3	5.65	4.5	-1019	10
10.6	8.8	5.15	4.0	-0919	9
10.1	8.3	4.65	3.5	-0819	8
9.6	7.8	4.15	3.0	-0719	7
9.1	7.3	3.65	2.5	-0619	6
8.1	6.3	2.65	1.5	52745-0419	4
D	C	B	(A)	MATERIAL NO.	極数 CIRCUIT

DO NOT SCALE DRAWING

64 NO. DRWN: CH'K: APPR: 63 NO. DRWN: CH'K: APPR: 62 NO. DRWN: CH'K: APPR: REVISED 61 NO. J2004-3475 DRWN: M.NINOMIYA CH'K: K.TOJO APPR: M.SASAO RELEASED 60 NO. J2004-1852 DRWN: T.UENO CH'K: M.SASAO APPR: M.SASAO	MATERIAL 材料 FINISH 仕上げ WIRE RANGE 適用線径範囲 INS. RANGE 被覆外径	注記参照 SEE NOTES 注記参照 SEE NOTES	GENERAL TOLERANCES: (UNLESS SPECIFIED) 一般公差 10 UNDER 未満 ±0.2 10 OVER 以上 30 UNDER 未満 ±0.25 30 OVER 以上 ±0.3 ANGLE 角度 ±3°	SCALE 1/1 DESIGN UNITS 一般公差 DRAWN BY & DATE T.UENO '04/01/08 CHECKED BY & DATE M.SASAO '04/01/08 APPROVED BY & DATE M.SASAO '04/01/08 CAD FILENAME SD-52745-048.S01	52745-***19 MODEL NO. DIMENSIONS: 20° 25° 30° mm INCH mm INCH mm ONLY TITLE: 0.5 FPC Conn Assy ZIF for SMT RA (UPPER CONTACT) -LEAD FREE- MOLEX MOLEX INCORPORATED MATERIAL NO. SEE CHART DRAWING NO. SD-52745-048 SHEET NO. 1 OF 2	SHT REV CAD ONLY



参考基板レイアウト  
P.C. BOARD PATTERN  
DIMENSION (REF.)  
(マウント面)  
(MOUNTING SIDE)



適合FPC推奨寸法  
APPLICABLE FPC  
RECOMMENDED DIMENSION  
(仕上がり厚さ: 0.3±0.03)  
(THICKNESS: 0.3±0.03)

適合FPC推奨寸法  
APPLICABLE FPC  
RECOMMENDED DIMENSION  
(仕上がり厚さ: 0.3±0.03)  
(THICKNESS: 0.3±0.03)

FPCについて:  
打抜き方向は導体側から補強板側を推奨致します。  
補強フィルム材質はポリイミドを推奨致します。  
接着剤は熱硬化接着剤を推奨致します。

ABOUT FPC:  
RECOMMENDED PUNCHER DIRECTION: FROM CONDUCTOR SIDE TO STIFFENER BOARD SIDE.  
RECOMMENDED MATERIAL: STIFFENER FILM: POLYIMIDE  
BONDING AGENT: THERMOSETTING BONDING AGENT

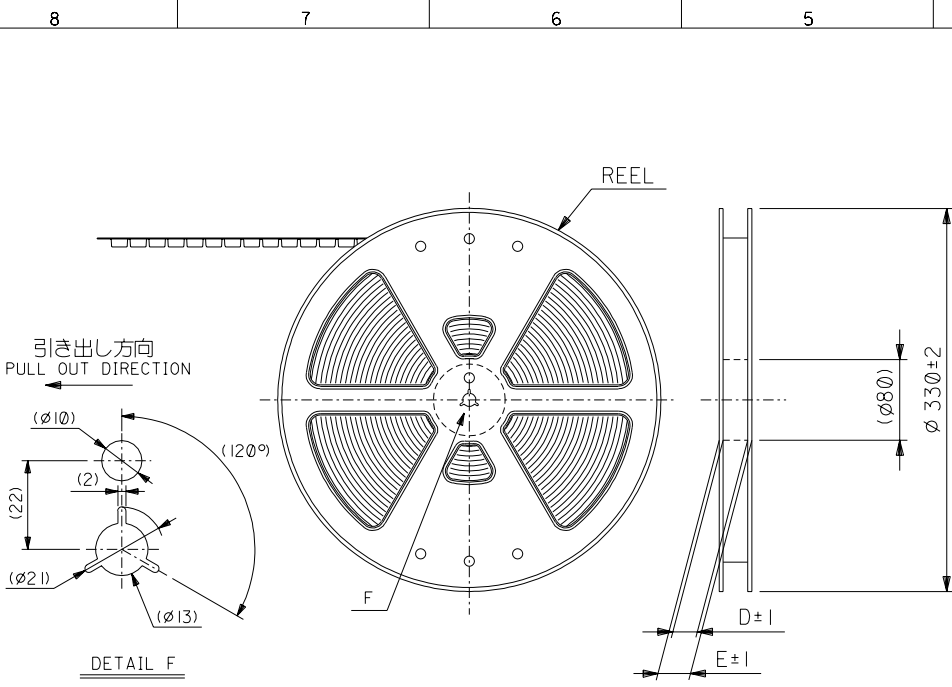
注記 NOTES

△ R0.3は、FPCの導体部にかからないこと。  
R0.3 MUST NOT BE OVERLAPPED TO PATTERN OF FPC.

64NO. DRAWN: CHK'K: APPR:	63NO. DRAWN: CHK'K: APPR:	62NO. DRAWN: CHK'K: APPR:	REVISED	RELEASED	MATERIAL 材料  FINISH 仕上げ  WIRE RANGE 適用層線範囲  INS. RANGE 被覆外径	GENERAL TOLERANCES: (UNLESS SPECIFIED) 一般公差	SCALE //	DESIGN UNITS mm □ INCH	PROJECTION <input checked="" type="checkbox"/> FIRST ANGLE <input type="checkbox"/> THIRD ANGLE	DIMENSIONS: <input type="checkbox"/> mm <input type="checkbox"/> INCH <input checked="" type="checkbox"/> mm ONLY	SHT REVISE ON CAD ONLY	REV
			61NO. J2004-3475 DRAWN: M.NINOMIYA CHK'K: K.TOJO APPR: M.SASAO	60NO. J2004-1852 DRAWN: T.UENO CHK'K: M.SASAO APPR: M.SASAO								

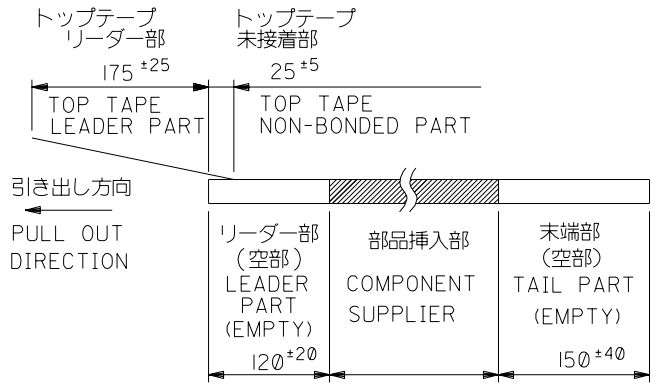
TITLE:  
0.5 FPC Conn Assy ZIF for  
SMT RA (UPPER CONTACT)  
-LEAD FREE-  
MOLEX INCORPORATED

DWG. NO. SD-52745-049

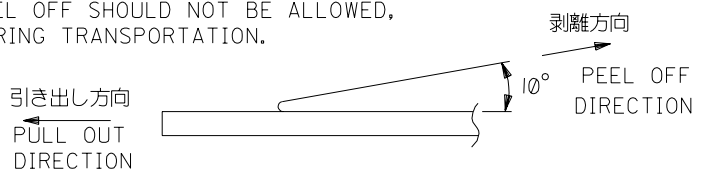


注記 NOTES

- 製品番号 52745-\*\*19 の梱包状態はアクチュエータがロックした状態とする。  
IN THE PACKAGE,ACTUATOR OF PART NO.52745-\*\*19 SHOULD BE LOCKED RE DETAILED DIMENSIONS,SEE SD-52745-048.
- 梱包数量：1000個/リール  
NUMBER OF CONNECTORS:1000PCS/REEL
- リードテープ長さ LEAD TAPE LENGTH



- トップテープの剥離強度：(剥離方向は下図参照)  
0.1N~1.3N(10gf~130gf) 尚、本規格値は、出荷時に適用。  
(但し、輸送時に剥離が発生しない事。)  
PEELING OFF FORCE OF TOP TAPE:  
0.1N~1.3N(10gf~130gf)(PEELING DIRECTION AS SHOWN IN FOLLOWING FIG.)  
THIS REQUIREMENT SHOULD BE APPLIED AT SHIPMENT  
PEEL OFF SHOULD NOT BE ALLOWED,  
DURING TRANSPORTATION.



5. 材料  
 キャリアテープ：ポリプロピレン (PP)  
 トップテープ：PET, PE, PEF  
 リール：ポリスチレン (PS) <リサイクル材を含む>  
 MATERIAL CARRIER TAPE:POLYPROPYLENE  
 TOP TAPE:PET,PE,PEF  
 REEL:POLYSTYRENE(PS)  
 <RECYCLE MATERIAL CONTAINED>

6. 本製品は 52745-\*\*90 の鉛フリー品である。  
 THIS PRODUCT IS LEAD FREE OF 52745-\*\*90

DO NOT SCALE DRAWING

64NO. DRWN: CH'K: APPR:		63NO. DRWN: CH'K: APPR:		62NO. DRWN: CH'K: APPR:		REVISED 61NO.J2004-2746 DRWN: M.NINOMIYA CH'K: K.TOJO APPR: M.SASAO		RELEASED 60NO.J2004-1852 DRWN: T.UENO CH'K: M.SASAO APPR: M.SASAO		MATERIAL 材料 注記参照 SEE NOTES		GENERAL TOLERANCES: (UNLESS SPECIFIED) 一般公差		SCALE 1/1 DESIGN UNITS <input checked="" type="checkbox"/> mm <input type="checkbox"/> INCH		52745-**96 MODEL NO.		DIMENSIONS: <input type="checkbox"/> mm <input type="checkbox"/> INCH <input checked="" type="checkbox"/> mm ONLY		SHT 1 OF 3 REV B	
WIRE RANGE 適用層線範囲		FINISH 仕上げ		INS. RANGE 被覆外径		ANGLE 角度		DRAWN BY & DATE T.UENO '04/01/08		CHECKED BY & DATE M.SASAO '04/01/08		APPROVED BY & DATE M.SASAO '04/01/08		CAD FILENAME SD-52745-049.S01		MATERIAL NO. SEE CHART		DRAWING NO. SD-52745-049		SHEET NO. 1 OF 3	
TITLE: 0.5 FPC Conn Assy ZIF for SMT RA Embstp Pkg -LEAD FREE-										MOLEX INCORPORATED											
THIS DRAWING CONTAINS INFORMATION THAT IS PROPRIETARY TO MOLEX INCORPORATED AND SHOULD NOT BE USED WITHOUT WRITTEN PERMISSION.										EN-02J(097) MXJ-54											

SD-52745-049.S01

DWG. NO.  
SD-52745-049

F

D

V

C

B

DO NOT SCALE DRAWING

8 7 6 5 4 3 2 1

F

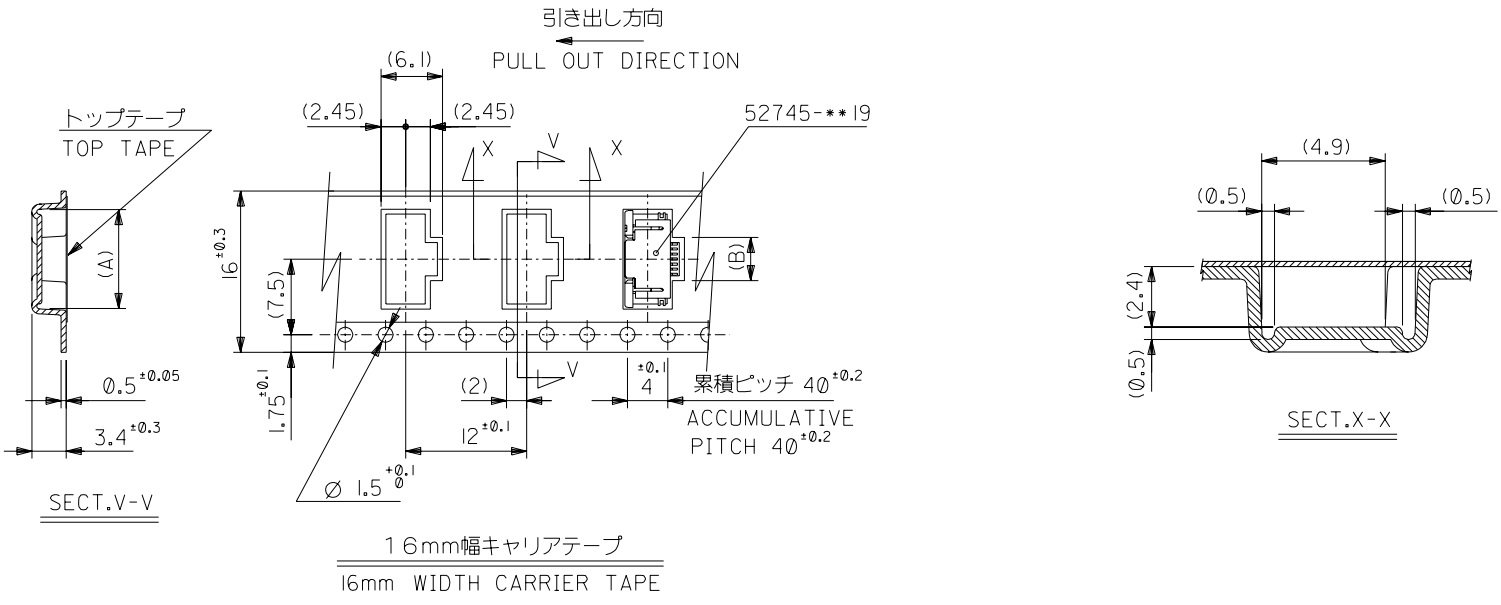
E

D

C

B

A



16	21.4	17.4	17.5	2.8	8.4	52745-0496	4
キャリアテープ幅 CARRIER TAPE WIDTH	E	D	(C)	(B)	(A)	MATERIAL NO.	極数 CIRCUIT

164NO. DRAWN: CHK: APPR:	163NO. DRAWN: CHK: APPR:	162NO. DRAWN: CHK: APPR:	REVISED 161NO. J2004-2746 DRAWN: M.NINOMIYA CHK: K.TOJO APPR: M.SASAO	RELEASED 160NO. J2004-1852 DRAWN: T.UENO CHK: M.SASAO APPR: M.SASAO	MATERIAL 材料 SHEET 1 OF 3 参照 REFER TO SHEET 1 OF 3	GENERAL TOLERANCES: (UNLESS SPECIFIED) 一般公差	SCALE 1:1	DESIGN UNITS <input checked="" type="checkbox"/> mm <input type="checkbox"/> INCH	52745-***96 MODEL NO.	DIMENSIONS: <input type="checkbox"/> mm <input type="checkbox"/> INCH <input checked="" type="checkbox"/> mm ONLY	SHT 2	REV 4			
10 UNDER 未滿	10 OVER 以上	30 UNDER 未滿	30 OVER 以上	WIRE RANGE 適用層線範囲	FINISH 仕上げ	INS. RANGE 被覆外径	±0.2 ±0.25 ±0.3 3°	DRAWN BY & DATE T.UENO '04/01/08	CHECKED BY & DATE M.SASAO '04/01/08	APPROVED BY & DATE M.SASAO '04/01/08	CAD FILENAME SD-52745-049.S02	TITLE: 0.5 FPC Conn Assy ZIF for SMT RA Embstp Pkg -LEAD FREE- MOLEX INCORPORATED	MATERIAL NO. SEE CHART	DRAWING NO. SD-52745-049	SHEET NO. 2 OF 3

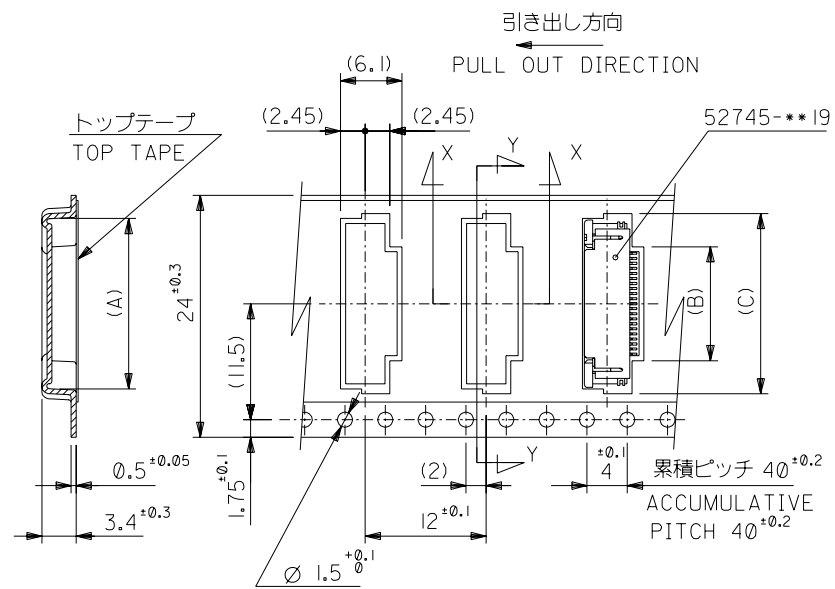
8 7 6 5 4 3 2 1

EN-02J(097) MXJ-54

THIS DRAWING CONTAINS INFORMATION THAT IS PROPRIETARY TO MOLEX INCORPORATED AND SHOULD NOT BE USED WITHOUT WRITTEN PERMISSION.

SIZE  
B

DWG. NO. SD-52745-049



24mm幅キャリアテープ  
24mm WIDTH CARRIER TAPE

24	29.4	25.4	17.4	10.8	16.4	52745-2096	20	
			16.9	10.3	15.9	-1996	19	
			16.4	9.8	15.4	-1896	18	
			15.9	9.3	14.9	-1796	17	
			15.4	8.8	14.4	-1696	16	
			14.9	8.3	13.9	-1596	15	
			14.4	7.8	13.4	-1496	14	
			13.9	7.3	12.9	-1396	13	
			13.4	6.8	12.4	-1296	12	
			12.9	6.3	11.9	-1196	11	
			12.4	5.8	11.4	-1096	10	
			11.9	5.3	10.9	-0996	9	
			11.4	4.8	10.4	-0896	8	
			10.9	4.3	9.9	-0796	7	
10.4	3.8	9.4	52745-0696	6				
キャリアテープ幅 CARRIER TAPE WIDTH		E	D	(C)	(B)	(A)	MATERIAL NO.	極数 CIRCUIT

DO NOT SCALE DRAWING

64NO. DRAWN: CH'K: APPR:	63NO. DRAWN: CH'K: APPR:	62NO. DRAWN: CH'K: APPR:	REVISED 61NO. J2004-2746 DRAWN: M.NINOMIYA CH'K: K.TOJO APPR: M.SASAO	RELEASED 60NO. J2004-1852 DRAWN: T.UENO CH'K: M.SASAO APPR: M.SASAO	MATERIAL 材料 SHEET 1 OF 3 参照 REFER TO SHEET 1 OF 3	GENERAL TOLERANCES: (UNLESS SPECIFIED) 一般公差 10 UNDER 未滿 ±0.2 10 OVER 以上 30 UNDER 未滿 ±0.25 30 OVER 以上 ±0.3 WIRE RANGE 適用層線範囲 // ANGLE 角度 ±3°	SCALE // DESIGN UNITS <input checked="" type="checkbox"/> mm <input type="checkbox"/> INCH DRAWN BY & DATE T.UENO '04/01/08 CHECKED BY & DATE M.SASAO '04/01/08 APPROVED BY & DATE M.SASAO '04/01/08 CAD FILENAME SD-52745-049.S03	52745-***96 MODEL NO. DIMENSIONS: <input type="checkbox"/> mm <input type="checkbox"/> INCH <input checked="" type="checkbox"/> mm ONLY <input type="checkbox"/> mm <input type="checkbox"/> mm SHT REV 2 1 TITLE: 0.5 FPC Conn Assy ZIF for SMT RA Embstp Pkg -LEAD FREE- MOLEX INCORPORATED MATERIAL NO. SEE CHART DRAWING NO. SD-52745-049 SHEET NO. 3 OF 3	THIS DRAWING CONTAINS INFORMATION THAT IS PROPRIETARY TO MOLEX INCORPORATED AND SHOULD NOT BE USED WITHOUT WRITTEN PERMISSION.	SIZE B
--------------------------------	--------------------------------	--------------------------------	-----------------------------------------------------------------------------------	---------------------------------------------------------------------------------	------------------------------------------------------------	------------------------------------------------------------------------------------------------------------------------------------------------------------------	------------------------------------------------------------------------------------------------------------------------------------------------------------------------------------------------------------------------------------------------------------------	----------------------------------------------------------------------------------------------------------------------------------------------------------------------------------------------------------------------------------------------------------------------------------------------------------------------------------------------------------------------------------------------------	-----------------------------------------------------------------------------------------------------------------------------------	-----------