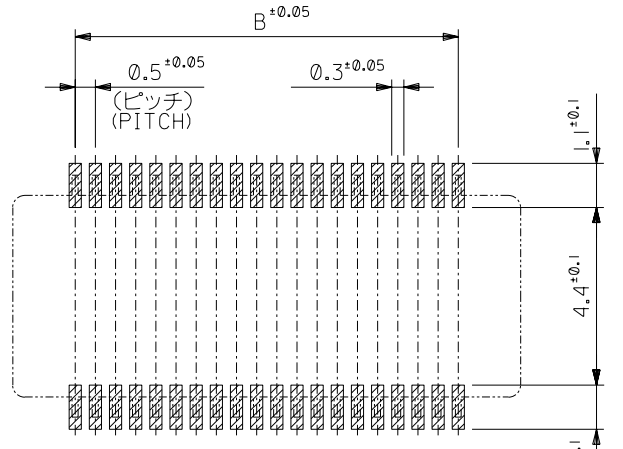
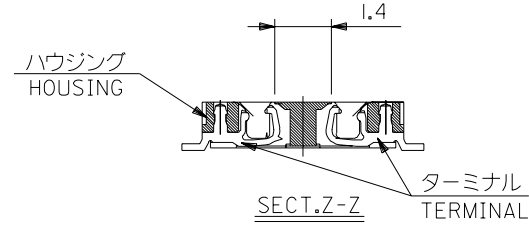
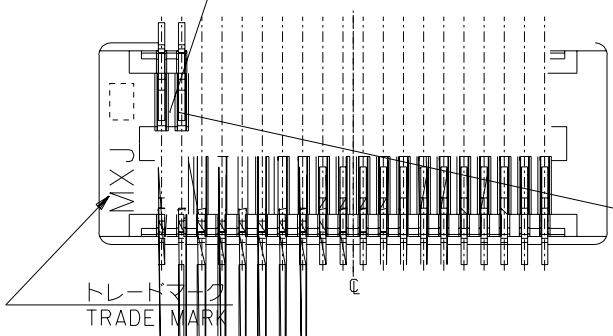
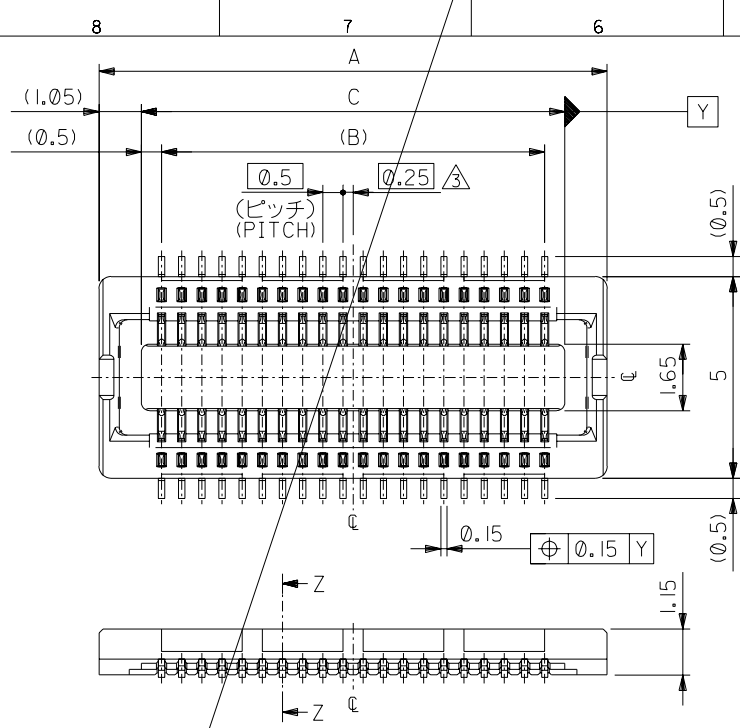


(全極数/2) = 偶数の場合に適用。  
4 APPLY FOR (CIRCUIT/2)=EVEN.  
55560

5 テール平坦度は、

8.0	7.0	10.1	54722-0301	30
C	B	A	極数 CIRCUIT	



参考基板レイアウト (マウント面)  
P.C.BOARD PATTERN  
DIMENSION. (REF.)  
(MOUNTING AREA)

34極以上品形状  
SHAPE OF 34 CIRCUITS OR MORE

注記 NOTES:

1. 使用材料 MATERIAL  
ハウジング: 液晶ポリマー ガラス充填, UL94V-0 (黒)  
HOUSING: LIQUID CRYSTAL POLYMER (GLASS FILLED)  
UL94V-0, (COLOR: BLACK)  
ターミナル: リン青銅 (t=0.15)  
TERMINAL: PHOSPHOR BRONZE (t=0.15)
2. メッキ仕様 PLATING  
金メッキ 0.25 MICROMETER MINIMUM (コンタクト部)  
GOLD 0.25 MICROMETER MINIMUM. (CONTACT AREA)  
金メッキ 0.4 MICROMETER MAXIMUM (テール部)  
GOLD 0.4 MICROMETER MAXIMUM. (TAIL AREA)  
下地メッキ: ニッケルメッキ 1.5 MICROMETER MINIMUM  
UNDER PLATING: NICKEL 1.5 MICROMETER MINIMUM

- △ (全極数/2) = 偶数の場合に適用。  
APPLY FOR (CIRCUIT/2)=EVEN.  
4 嵌合相手: 55560 シリーズ, 53794 シリーズ  
MATE WITH: 55560 SERIES, 53794 SERIES.  
5 テール平坦度は、0.1 MAXIMUM。  
TAIL COPLANARITY TO BE 0.1 MAXIMUM.

20.5	19.5	22.6	54722-0801	80
15.5	14.5	17.6	54722-0601	60
13.0	12.0	15.1	54722-0501	50
12.0	11.0	14.1	54722-0461	46
10.5	9.5	12.6	54722-0401	40
9.0	8.0	11.1	54722-0341	34
C	B	A	MATERIAL. NO	極数 CIRCUIT

REVISED	REVISIONS	DATE	BY	CHK	APP
1	REVISED	03/03/31	M.SASAO	M.SASAO	M.SASAO

MATERIAL	材料	注記参照 SEE NOTES
FINISH	仕上げ	—
WIRE RANGE	適用線径範囲	—
INS. RANGE	被覆外径	—

GENERAL TOLERANCES: (UNLESS SPECIFIED) 一般公差	SCALE	DESIGN UNITS
10 UNDER 未満	1:1	mm <input checked="" type="checkbox"/> INCH
10 OVER 以上		
30 UNDER 未満		
30 OVER 以上		
ANGLE	角度	3°

MODEL NO. 54722-***	DIMENSIONS:	SHT	REV
	mm <input checked="" type="checkbox"/> INCH	2	2
DRAWN BY & DATE	TITLE:	REVISE ON CAD ONLY	
S.AIHARA '01/02/13	0.5 B-To-B Conn Rec HOUSING Assy (Hgt=1.5mm)		
CHECKED BY & DATE	MOLEX INCORPORATED		
M.SASAO '03/03/31			
APPROVED BY & DATE	MATERIAL NO.	DRAWING NO.	SHEET NO.
M.SASAO '03/03/31	SEE CHART	SD-54722-007	2 OF 2
CAD FILENAME	THIS DRAWING CONTAINS INFORMATION THAT IS PROPRIETARY TO MOLEX INCORPORATED AND SHOULD NOT BE USED WITHOUT WRITTEN PERMISSION.		
54722007.S02	SIZE B		

DWG. NO. SD-54722-010

8 7 6 5 4 3 2 1

F

D

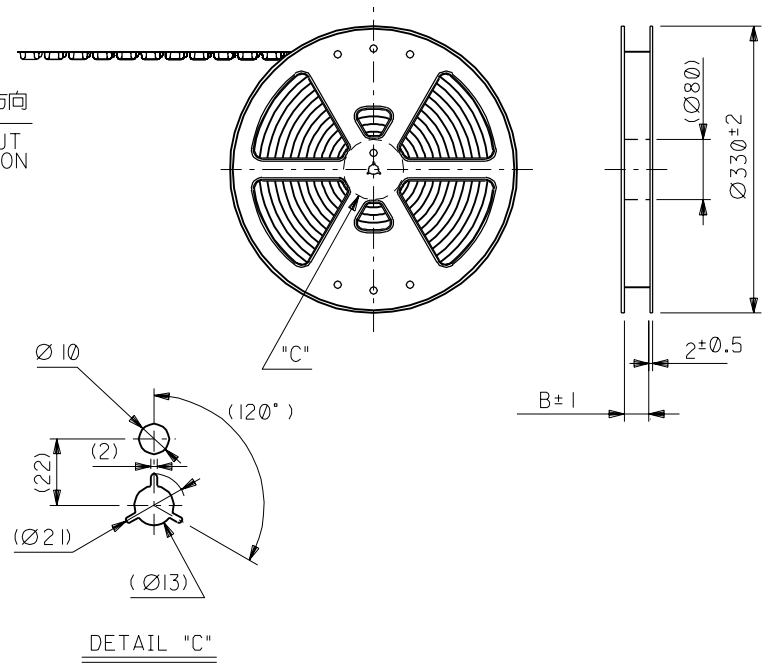
V

C

B

DO NOT SCALE DRAWING

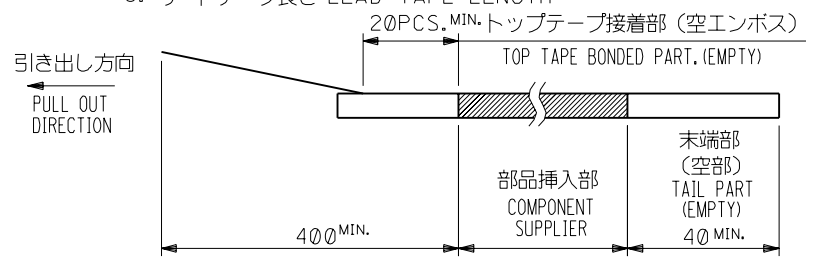
引き出し方向  
PULL OUT DIRECTION



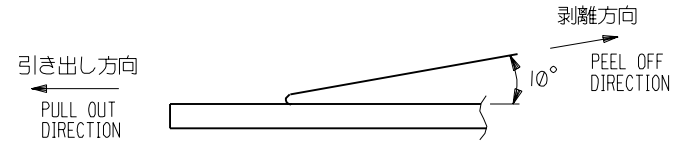
DETAIL "C"

NOTES

- 製品詳細寸法については図面 SD-54722-007 を参照下さい。  
RE DETAILED DIMENSION, SEE SD-54722-007
- 梱包数量：2000個/リール  
NUMBER OF CONNECTORS：2000PCS/REEL
- リードテープ長さ LEAD TAPE LENGTH



- トップテープの剥離強度：0.1N ~ 0.7N(10.2gf ~ 71.4gf)  
(剥離方向は下図参照)  
尚、本規格値は出荷時に適用。(但し、輸送時に剥離が発生しないこと。)  
PEELING OFF FORCE OF TOP TAPE：0.1N ~ 0.7N(10.2gf ~ 71.4gf)  
(PEELING DIRECTION AS SHOWN IN FOLLOWING FIG.)  
THIS REQUIREMENT SHOULD BE APPLIED AT SHIPMENT.  
PEEL OFF SHOULD NOT BE ALLOWED, DURING TRANSPORTATION.



- 材料(MATERIAL)  
キャリアテープ：ポリプロピレン(PP)  
CARRIER TAPE：POLYPROPYLENE (PP)  
トップテープ：PET, PE, PEF  
TOP TAPE：PET, PE, PEF  
リール：ポリスチレン(PS) <リサイクル材を含む>  
REEL：POLYSTYRENE (PS) <RECYCLE MATERIAL CONTAINED>

04 NO. DRAWN: CH'K: APPR: 03 NO. DRAWN: CH'K: APPR: 02 NO. DRAWN: CH'K: APPR:		REVISED: 01/09/19 01 NO. J2002-0650 DRAWN: R. TAKEUCHI CH'K: T. ITO APPR: T. YAMAGUCHI		PROPOSED 00 NO. JC2001-0402 DRAWN: S. AIHARA 00/11/28 CH'K: T. ITO APPR: M. FUKUSHIMA		MATERIAL 材料 注記参照 SEE NOTES		GENERAL TOLERANCES: (UNLESS SPECIFIED) 一般公差		MODEL NO. 54722-***8 DIMENSIONS: <input type="checkbox"/> mm <input type="checkbox"/> INCH <input checked="" type="checkbox"/> mm ONLY		SHT. REV. BEWISE ON CAD ONLY	
						FINISH 仕上げ //		SCALE // DESIGN UNITS <input checked="" type="checkbox"/> mm <input type="checkbox"/> INCH		DRAWN BY & DATE S. AIHARA 00/11/28		TITLE: 0.5 B-To-B Conn Rec Assy (Hgt=1.5) Embstp Pkg	
						WIRE RANGE 適用電線範囲 //		10 UNDER 未満 ±0.2 10 OVER 30 UNDER 未満 ±0.25 30 OVER 以上 ±0.3		CHECKED BY & DATE T. ITO 01/09/19		MOLEX MOLEX INCORPORATED	
						INS. RANGE 被覆外径 //		ANGLE 角度 ±3°		APPROVED BY & DATE T. YAMAGUCHI 01/09/19		MATERIAL NO. SEE CHART DRAWING NO. SD-54722-010	
		A		0				CAD FILENAME 54722010.S01		SHEET NO. 1 OF 3		SIZE B	
								THIS DRAWING CONTAINS INFORMATION THAT IS PROPRIETARY TO MOLEX INCORPORATED AND SHOULD NOT BE USED WITHOUT WRITTEN PERMISSION.				EN-02J(097) MXJ-54	

8 7 6 5 4 3 2 1

F

E

D

C

B

A

54722010.S01

DWG. NO. SD-54722-010

F

D

V

C

B

DO NOT SCALE DRAWING

8 7 6 5 4 3 2 1

F

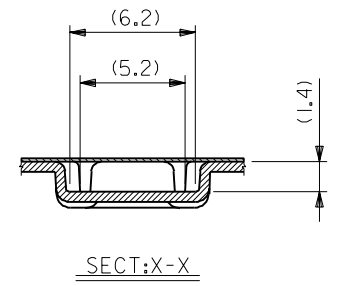
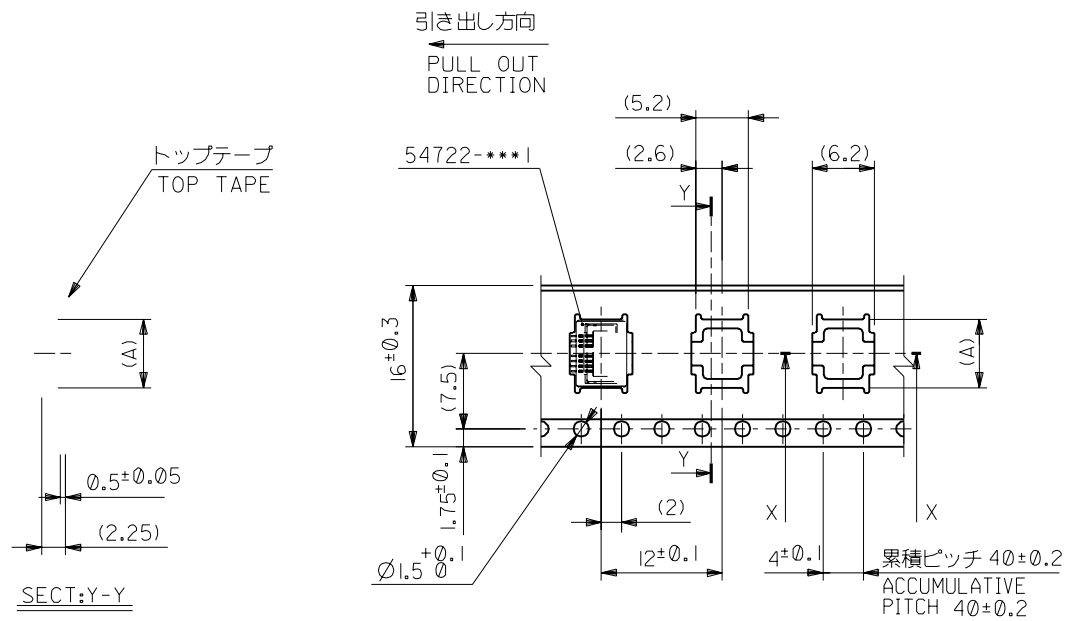
E

D

C

B

A



16mm幅キャリアテープ  
16mm WIDTH CARRIER TAPE

16	17.5	6.8	54722-0168	16
キャリアテープ幅 CARRIER TAPE WIDTH		B	(A)	極数 CIRCUIT
MODEL NO.		54722-***8		DIMENSIONS:
				SHT REV
				BASE ON CAD ONLY

1634 NO. DRWN: CH'K: APPR:	1633 NO. DRWN: CH'K: APPR:	1632 NO. DRWN: CH'K: APPR:	REVISED '01/09/19 1631 NO. J2002-0650 DRWN: R. TAKEUCHI CH'K: T. ITO APPR: T. YAMAGUCHI A	PROPOSED 1630 NO. JC2001-0402 DRWN: S. AIHARA '00/11/28 CH'K: T. ITO APPR: M. FUKUSHIMA O	MATERIAL 材料 SHEET 1 OF 3 参照 REFER TO SHEET 1 OF 3
					FINISH 仕上げ //
					WIRE RANGE 適用電線範囲 //
					INS. RANGE 被覆外径 //

GENERAL TOLERANCES: (UNLESS SPECIFIED) 一般公差		SCALE 1/1	DESIGN UNITS mm	PROJECTION 2ND ANGLE	TITLE: 0.5 B-To-B Conn Rec Assy (Hgt=1.5) Embstp Pkg
10 UNDER 未満	±0.2	DRAWN BY & DATE S. AIHARA '00/11/28		MATERIAL NO. SEE CHART	
10 OVER 以上 30 UNDER 未満	±0.25	CHECKED BY & DATE T. ITO '01/09/19		SHEET NO. 2 OF 3	
30 OVER 以上	±0.3	APPROVED BY & DATE T. YAMAGUCHI '01/09/19		SIZE B	
ANGLE 角度	±3°	CAD FILENAME 54722010.S02		EN-02J(097) MXJ-54	

THIS DRAWING CONTAINS INFORMATION THAT IS PROPRIETARY TO MOLEX INCORPORATED AND SHOULD NOT BE USED WITHOUT WRITTEN PERMISSION.					
--------------------------------------------------------------------------------------------------------------------------------	--	--	--	--	--

8 7 6 5 4 3 2 1

54722010.S02

DWG. NO. SD-54722-010

F

D

V

C

B

DO NOT SCALE DRAWING

8 7 6 5 4 3 2 1

F

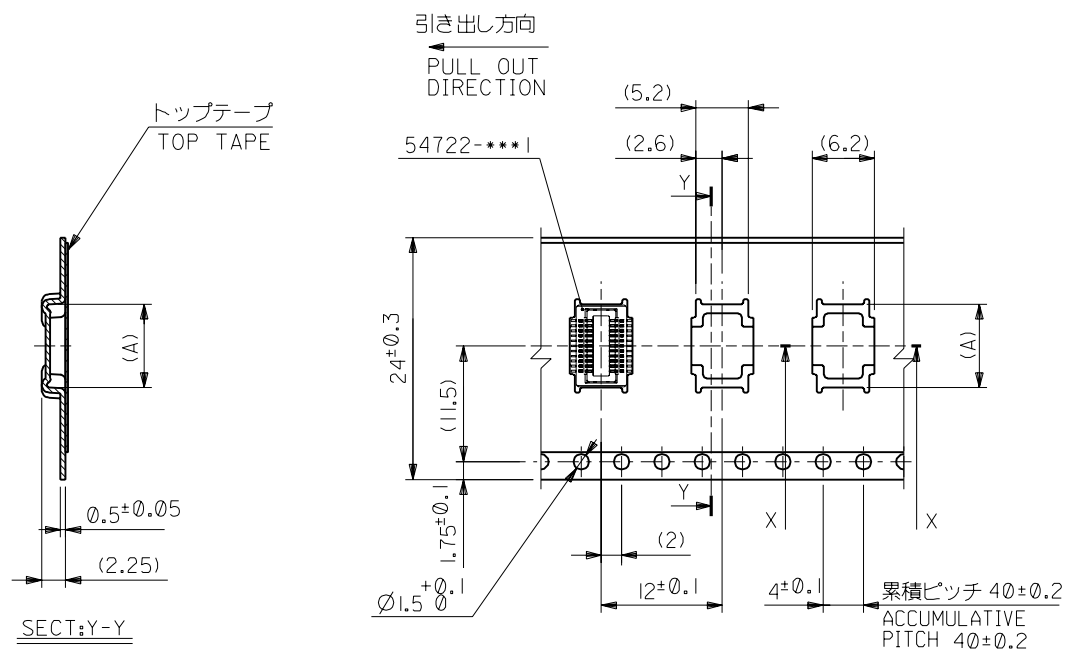
E

D

C

B

A



24mm幅キャリアテープ  
24mm WIDTH CARRIER TAPE

24	25.5	10.3	54722-0308	30
		8.3	54722-0228	22
キャリアテープ幅 CARRIER TAPE WIDTH		B	(A)	極数 CIRCUIT
MODEL NO.		54722-***8		DIMENSIONS: SHT REV

084NO. DRWN: CH'K: APPR: 083NO. DRWN: CH'K: APPR: 082NO. DRWN: CH'K: APPR:	REVISED: 01/09/19 081NO. J2002-0650 DRWN: R.TAKEUCHI CH'K: T.IITO APPR: T.YAMAGUCHI PROPOSED 080NO. JC2001-0402 DRWN: S.AIHARA 00/11/28 CH'K: T.IITO APPR: M.FUKUSHIMA	MATERIAL 材料 SHEET 1 OF 3 参照 REFER TO SHEET 1 OF 3 FINISH 仕上げ //	GENERAL TOLERANCES: (UNLESS SPECIFIED) 一般公差 10 UNDER 未満 ±0.2 10 OVER 以上 30 UNDER 未満 ±0.25 30 OVER 以上 ±0.3 WIRE RANGE 適用電線範囲 // ANGLE 角度 ±3°	SCALE 1:1 DESIGN UNITS mm INCH 2ND ANGLE PROJECTION	TITLE: 0.5 B-To-B Conn Rec Assy (Hgt=1.5) Embstp Pkg MOLEX MOLEX INCORPORATED	CAD FILENAME 54722010.S03 MATERIAL NO. SEE CHART DRAWING NO. SD-54722-010 SHEET NO. 3 OF 3
				DRAWN BY & DATE S.AIHARA '00/11/28 CHECKED BY & DATE T.IITO '01/09/19 APPROVED BY & DATE T.YAMAGUCHI '01/09/19		
A		0		THIS DRAWING CONTAINS INFORMATION THAT IS PROPRIETARY TO MOLEX INCORPORATED AND SHOULD NOT BE USED WITHOUT WRITTEN PERMISSION.		SIZE B

8 7 6 5 4 3 2 1 EN-02J(097) MXJ-54