

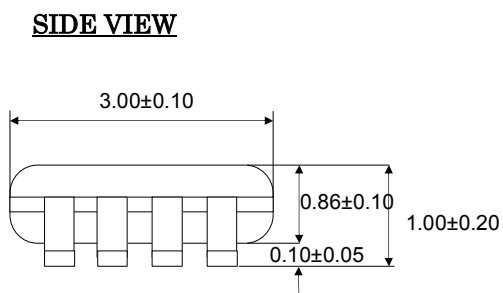
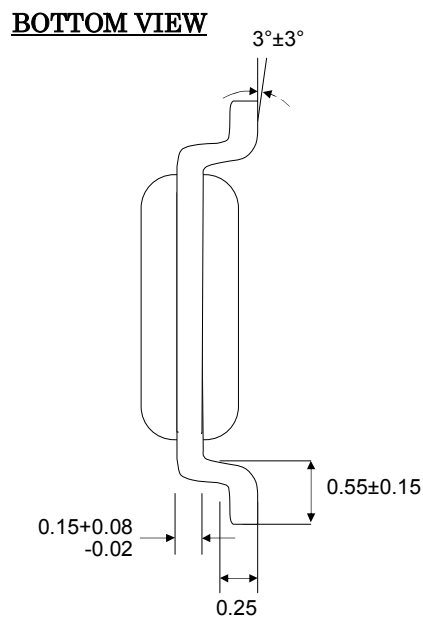
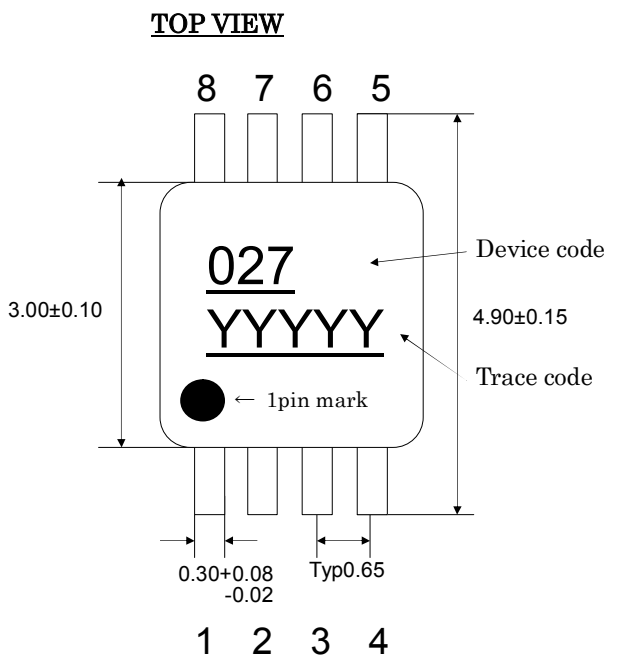
1. Features

- Ultra low capacitance (0.25pF Typ.)
- Protection for the IEC61000-4-2(ESD) $\pm 8\text{kV}$ (contact)
- Fast turn on and low clamping voltage
- For 6 lines
- Pb-free (RoHS compliant) package

2. Typical Applications

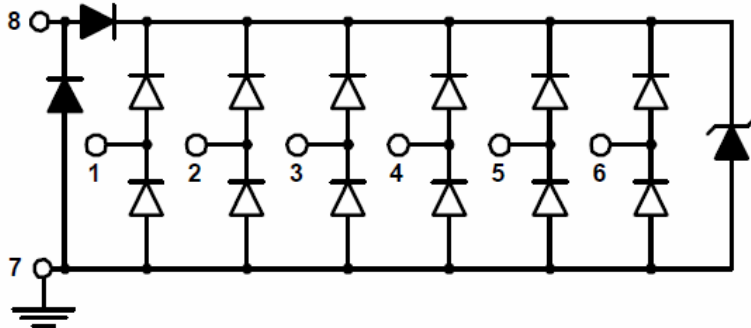
- High Speed Communication Line Protection
- USB 3.0 Power and Data Line Protection

3. Mechanical details (dimensions: mm)



Pin Configuration

No.	Terminal Name
(1)	I/O 1
(2)	I/O 2
(3)	I/O 3
(4)	I/O 4
(5)	I/O 5
(6)	I/O 6
(7)	GND
(8)	VDD

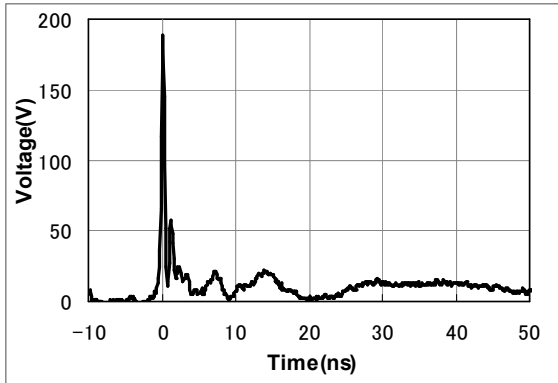
4. Schematic

5. Maximum Ratings

Rating	Symbol	Value	Units
Operating Voltage(VDD-GND)	V_{DC}	6	V
ESD per IEC 61000-4-2 (contact)	V_{ESD}	±8	kV
Lead Soldering Temperature	T_{SOL}	260(10sec.)	°C
Operating Temperature	T_{OP}	-40 to +85	°C
Storage Temperature	T_{STO}	-40 to +125	°C

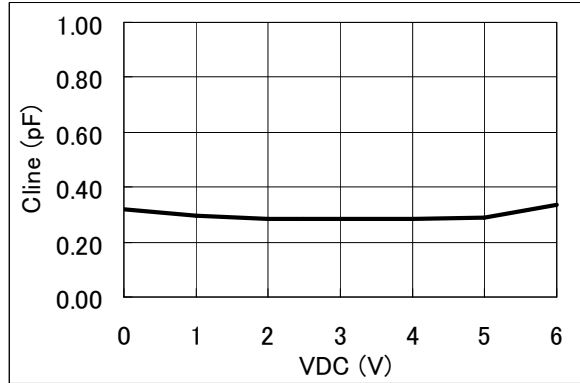
6. Electrical Characteristics (T=25 °C)

Parameter	Symbol	Conditions	Min	Typ	Max	Units
Leakage Current	I_{Leak}	$V_{pin8}=5V, V_{pin7}=0V, V_{CH}=0-5V$			1	μA
Breakdown Voltage	V_{BV}	$I_{BV} = 1mA$	6		10	V
Capacitance (I/O-GND)	C_{IN}	$V_{pin8}=5V, V_{pin7}=0V, V_{in}=2.5V, f=1MHz$		0.25		pF

7. Typical Characteristic

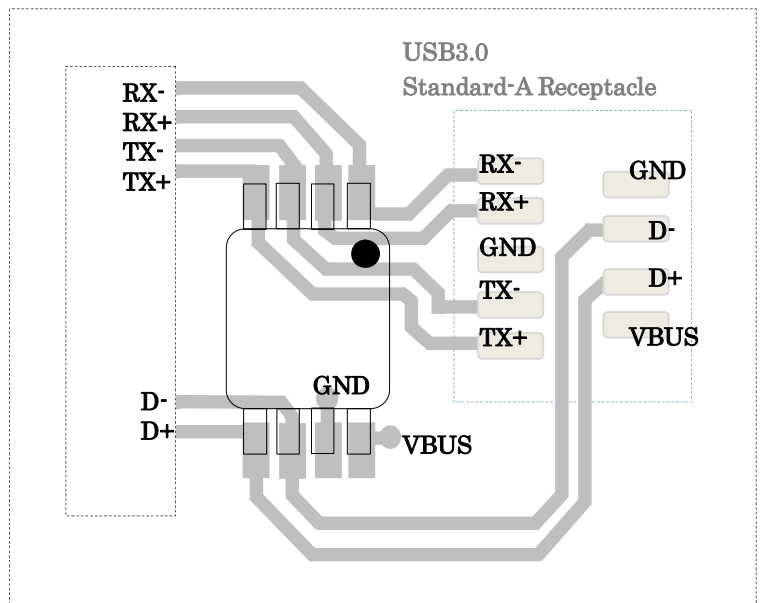
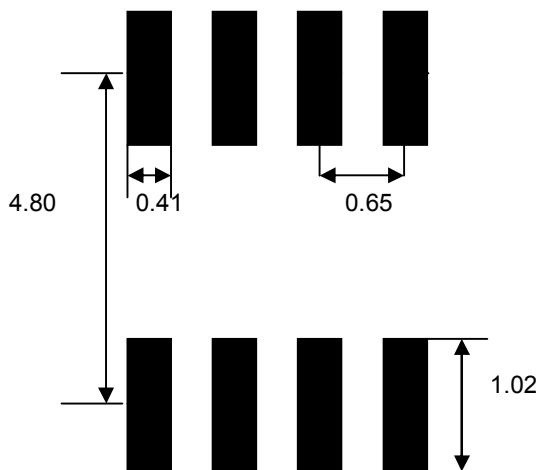


ESD Waveform (IEC61000-4-2:8kV Contact)



Voltage – Capacitance Characteristic

8. Soldering Footprint (dimensions: mm)

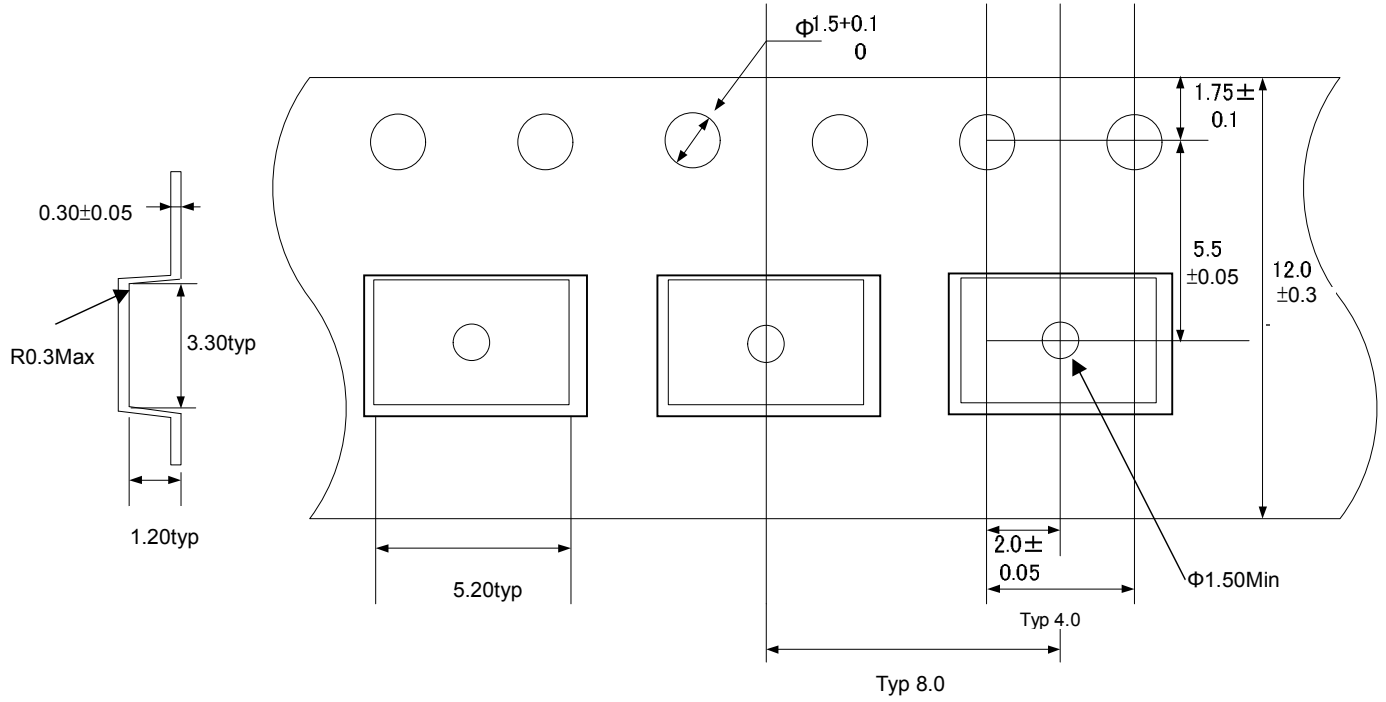


Notes : this land layout is for reference purpose only.

9. Taping Specification

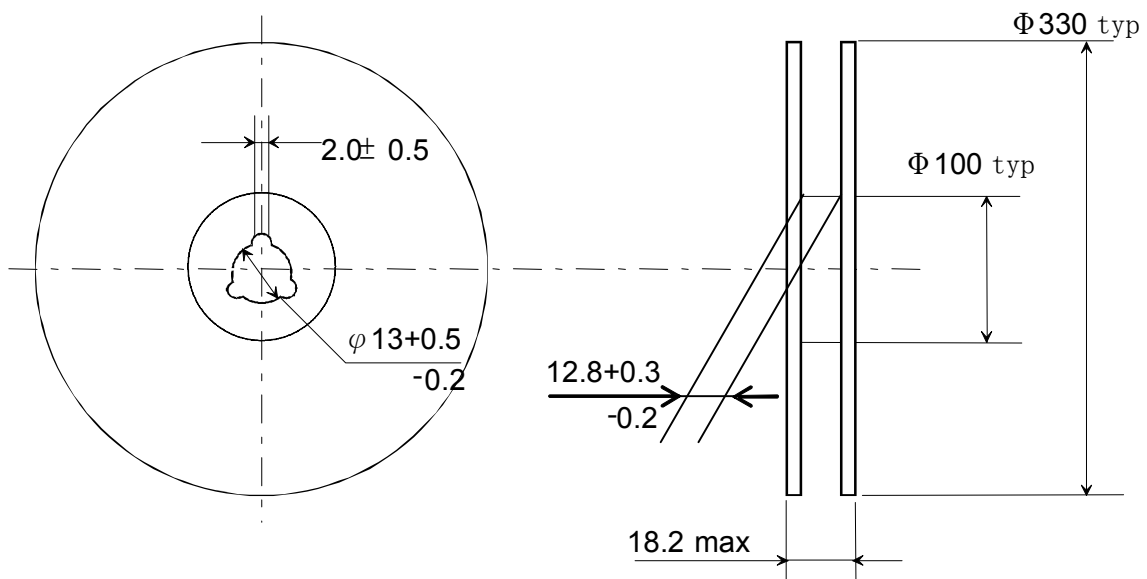
1) Dimensions of Tape (Plastic tape)

(in mm)



2) Dimensions of Reel

(in mm)



3) Packaging unit: 3,000 pcs / reel