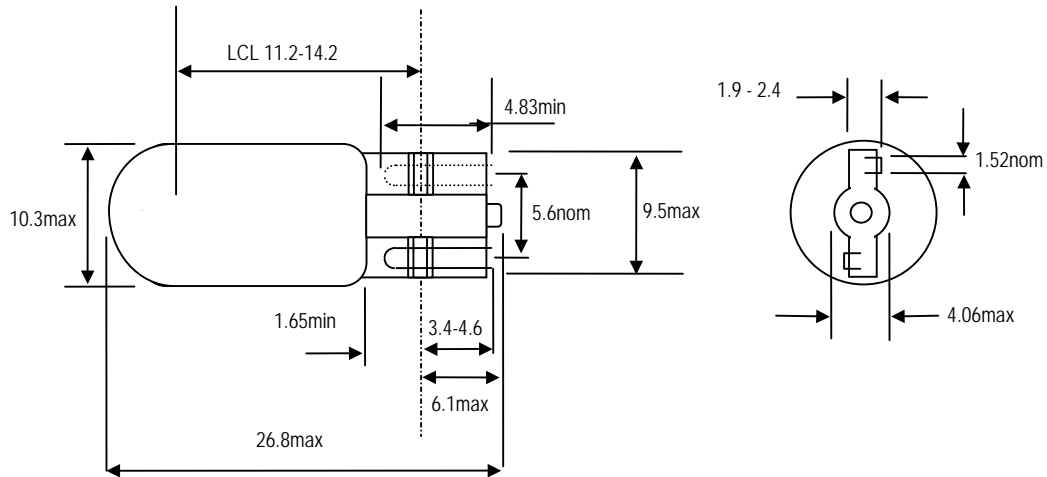


Description : **T-3¼(10mm) 12V 0.1A Lead-free Wedge base lamp**

Dimensional Characteristics : All dimensions in mm



**Filament construction C-2V**

Marking

**VCH 1112**  
**12V 0.1A**

Performance Characteristics @ 12 volts

	Nominal	Minimum	Maximum
Current(mA)	100	90	110
Light output(Lm)	5.0	3.8	6.25
Life(hrs)	5,000		

Issue # 1

Date 03/10/05