



Quality & Service ISO9001 ISO14001

Company

Products

Activities

E-mail

DIPTRONICS MANUFACTURING INC.

DIP SWITCH



FEATURES

1. Available sharp click feel with a positive tactile feedback. Due to small movement distance (stroke), user experiences distinct sensation when the switch "clicks" into place.
2. Ultraminiature and light weight structure suitable for high density mounting. Economic but high reliability.
3. Insert molding in the contact with special treatment prevents flux build-up during soldering and permits auto-dipping.

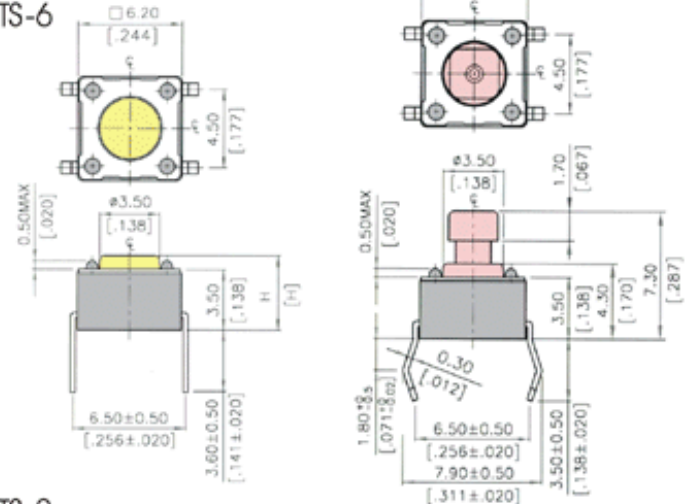
MATERIALS

- △COVER: Stainless steel.
- △BASE: UL94V-0 Nylon Thermoplastic.
Color: Black.
- △STEM: UL94V-0 Nylon Thermoplastic.
Color: Black(100gf), Brown(160gf),
Red(260gf), Salmon(320gf),
Yellow(520gf).
- △CONTACT DISC: Phosphor bronze with silver cladding.
- △TERMINAL: Brass with silver cladding.
- △CAP: Termoplastic ABS.

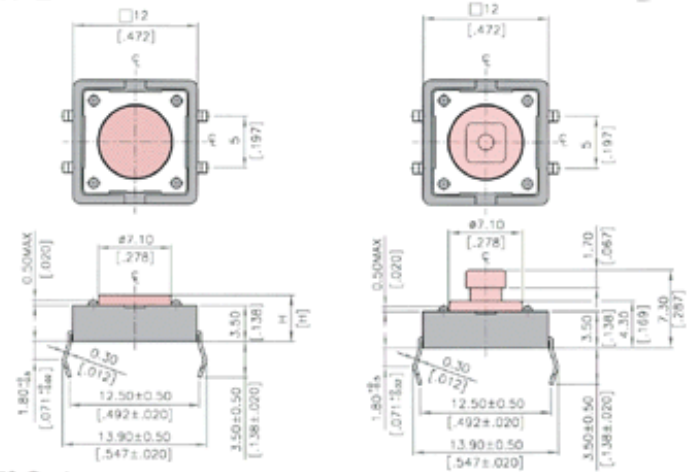
TACT SWITCH

DIMENSIONS

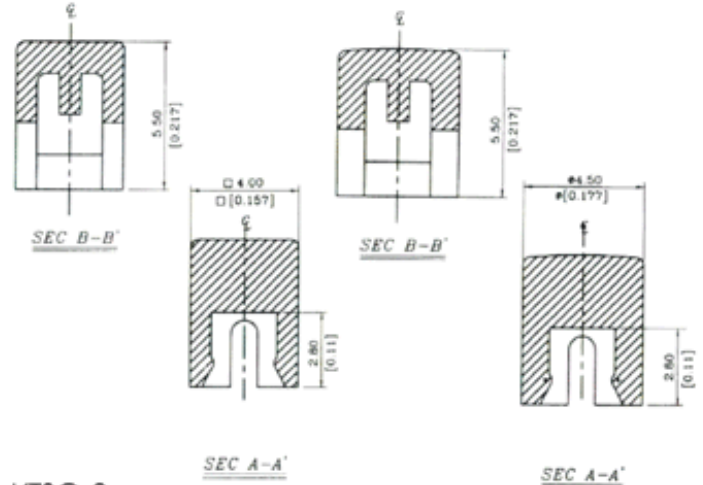
DTS-6



DTS-2

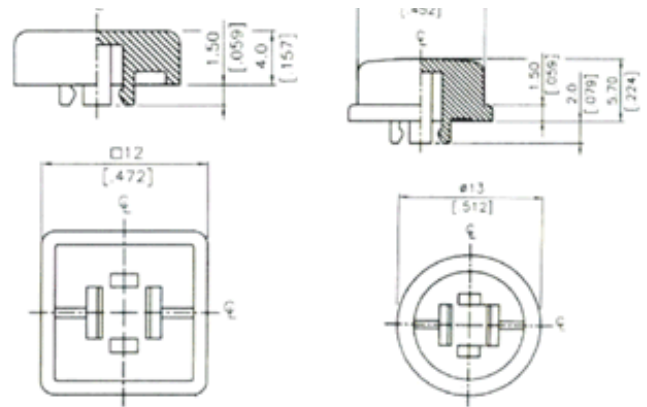


KTSC-6



KTSC-2





General Tolerance: $\pm 0.2\text{mm}$ ($\pm 0.008''$)

SPECIFICATION

MECHANICAL

| | | | |
|------------------|-----------------|--------|-----|
| | 520 \pm 130gf | Yellow | (Y) |
| | 320 \pm 80gf | Salmon | (S) |
| Operation Force: | 260 \pm 50gf | Red | (R) |
| | 160 \pm 50gf | Brown | (N) |
| | 100 \pm 50gf | Black | (K) |

Stop Strength: Place the switch such that vertical, a static load of 3 kgf shall be applied in the direction of stem operation for a period of 15 seconds.

Stroke: (12x12) 0.35 \pm 0.1mm

(6x6) 0.25 $\begin{matrix} +0.2 \text{ mm} \\ -0.1 \text{ mm} \end{matrix}$

Operation Temperature Range: -25°C to +70°C

Storage Temperature Range: -30°C to +80°C

Vibration Test: MIL-STD-202F METHOD 201A.

Frequency: 10-55-10Hz/1 minute.

Directions: X,Y,Z, three mutually perpendicular directions.
Time: 2 hours each direction.
High reliability.

Shock Test: MIL-STD-202F METHOD 213B.

CONDITION A.

Gravity: 50G (peak value), 11 msec.

Direction and times: 6 sides and 3 times in each direction.

High reliability.

ELECTRICAL

Electrical Life: 50,000 cycles for 260gf,320gf,520gf,
500,000 cycles for 100gf, 160gf.

Rating: 50mA, 12VDC.

Contact Resistance: 100mΩ max.

Insulation Resistance: 100MΩ min. 500VDC.

Dielectric Strength: 250VAC/1 minute.

Contact Arrangement: 1 pole 1 throw.

SOLDERING PROCESSES

HOW TO ORDER

D T S - -

Package Style :
 = Bulk Pack
 ▲B = Tube
 <▲Except DTS-63, 644, 648, 65, 66>

Color Of Stem For Operating Force :
 ▲K = Black , 100 gf
 N = Brown , 160 gf
 R = Red , 260 gf
 S = Salmon , 320 gf
 ▲Y = Yellow , 520 gf
 <▲12x12 K · Y Unavailable>

Dimension H :
 ◎ 6 X 6 mm ◎ 12 x 12 mm
 1 = 4.3 mm 1 = 4.3 mm
 2 = 5.0 mm 4 = 7.3 mm (SQ.) x 3.8
 3 = 7.0 mm 5 = 8.5 mm
 44 = 7.3 mm (SQ.) x 2.4 mm
 48 = 7.3 mm (SQ.) x 2.8 mm
 5 = 9.5 mm
 6 = 13 mm

Prod. Size
 6 = 6x6 mm
 2 = 12x12 mm

= None Post
 ▲P = With Post
 <▲Only For 12x12>

Tactile Switch

CAP PART NO.

k T S C -

Cap color:
 Y = Yellow
 B = Blue
 R = Red
 I = Ivory
 K = Black
 G = Green
 S = Salmon

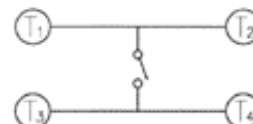
Cap Type:
 1 = Square
 2 = Round

Prod. Size:(Tactile Switch)
 6 = 6x6 mm
 2 = 12 x 12 mm

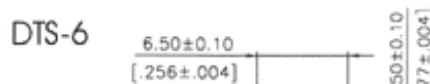
▲1. Only For DTS - 644 & 24, Cap In Bulk Pack

▲2. Cap For 644 & 24

CIRCUIT



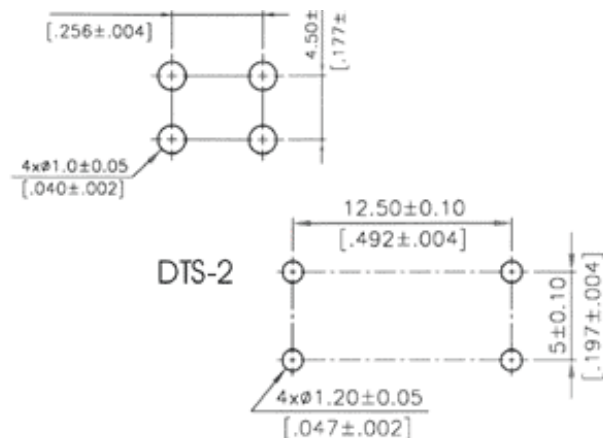
P.C.B. LAYOUT



SOLDERING PROCESSES

△WAVE SOLDERING: Recommended solder temperature at 500°F (260°C) max. 5 seconds subject to PCB 1.6mm thickness.

△HAND SOLDERING: Use a soldering iron of 30 watts, controlled at 608°F(320°C) approximately 2 seconds while applying solder.



SPECIFICATIONS ARE SUBJECT TO CHANGE WITHOUT NOTICE.
*MORE UPDATE INFORMATION,PLEASE CONSULT DIPTRONICS.