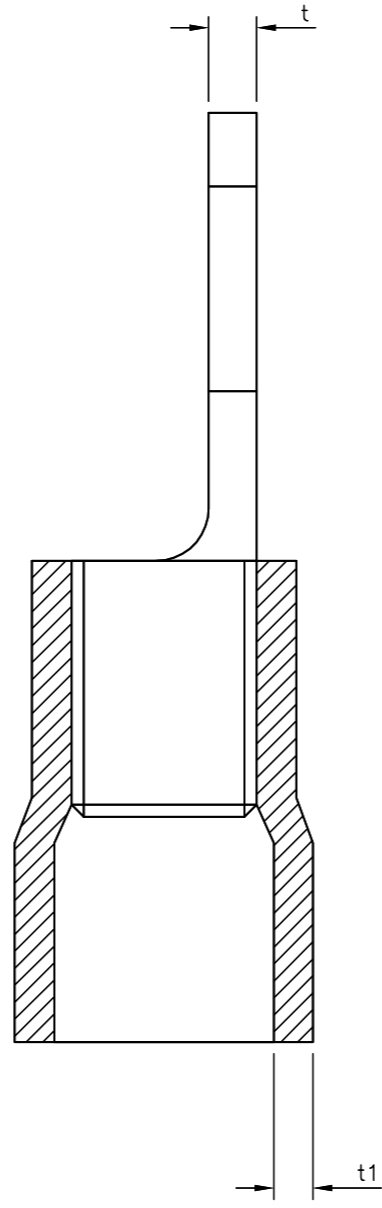
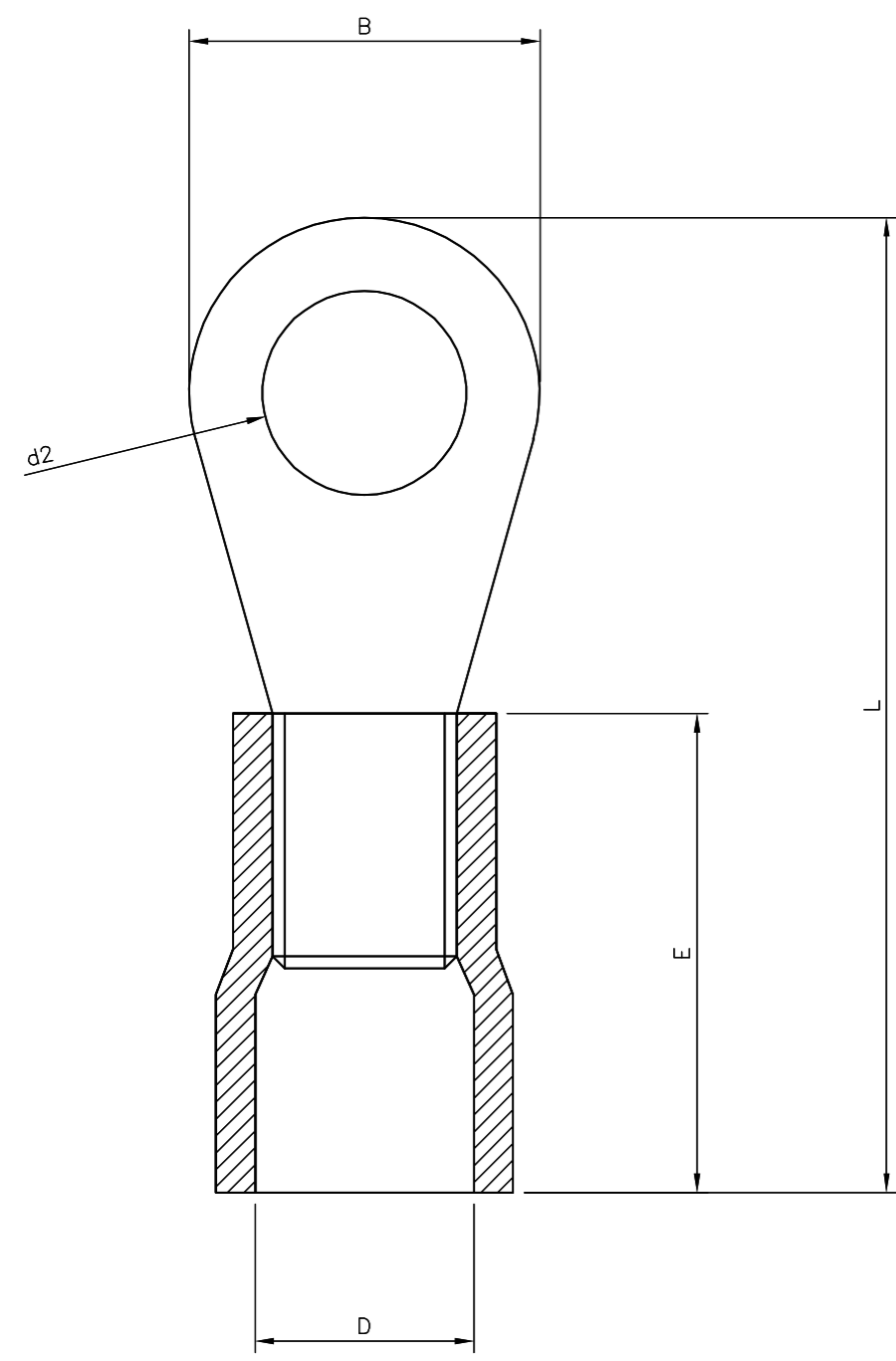


THIS DRAWING IS UNPUBLISHED. RELEASED FOR PUBLICATION 20JUL ,2005.
 © COPYRIGHT 2005 BY TYCO ELECTRONICS CORPORATION. ALL RIGHTS RESERVED.

| Loc | | DIST | | REVISIONS | | | |
|-----|-----|-------------|--|-----------|-----|------|--|
| P | LTR | DESCRIPTION | | DATE | DWN | APVD | |
| | A | FIRST ISSUE | | 20JUL05 | KR | FWK | |



- NOTES:
- FOR TECHNICAL DATA REFER TO YOUR LOCAL TYCO ELECTRONICS SALES OFFICE.
 - ALL DIMENSIONS ARE NOMINAL FOR REFERENCE ONLY UNLESS OTHERWISE STATED.
 - FOR PACKAGING DETAILS SEE SHEET 2.
 - UL NUMBER E13288
 - MATERIAL: BODY - COPPER
SLEEVE - PVC (K65), 94V-0
 - APPLICATION SPEC 114-13196

| STOCK NUMBER | PACKING LABEL DESCRIPTION LINE 3 | PACKING LABEL DESCRIPTION LINE 2 | PACKING LABEL DESCRIPTION LINE 1 | INNER CARTON QTY | QTY | d2 (±0.20) | B (±0.30) | L (±1.50) | D (±0.50) | E (±1.50) | t (±0.10) | t1 (±0.20) | WIRE SIZE (mmsq) & (AWG) | STUD SIZE (mm) | DESCRIPTION | PART No |
|----------------------------|----------------------------------|----------------------------------|----------------------------------|------------------|-----------|------------|-----------|-----------|-----------|-----------|-----------|------------|-------------------------------|----------------|----------------------------------|----------------------------|
| 2-1838164-0 1-1838164-0 | 2.5mmsq-6.0mmsq 12-10 (AWG) | 10mm STUD SIZE STANDARD ENTRY | YELLOW RING TERMINAL (INSULATED) | 1000 1750 | 500 50 | 10.50 | 15.00 | 34.90 | 6.70 | 14.00 | 1.00 | 0.80 | 2.5mmsq-6.0mmsq 12-10(AWG) | 10.0 | YELLOW RING TERMINAL (INSULATED) | 2-1838164-0 1-1838164-0 |

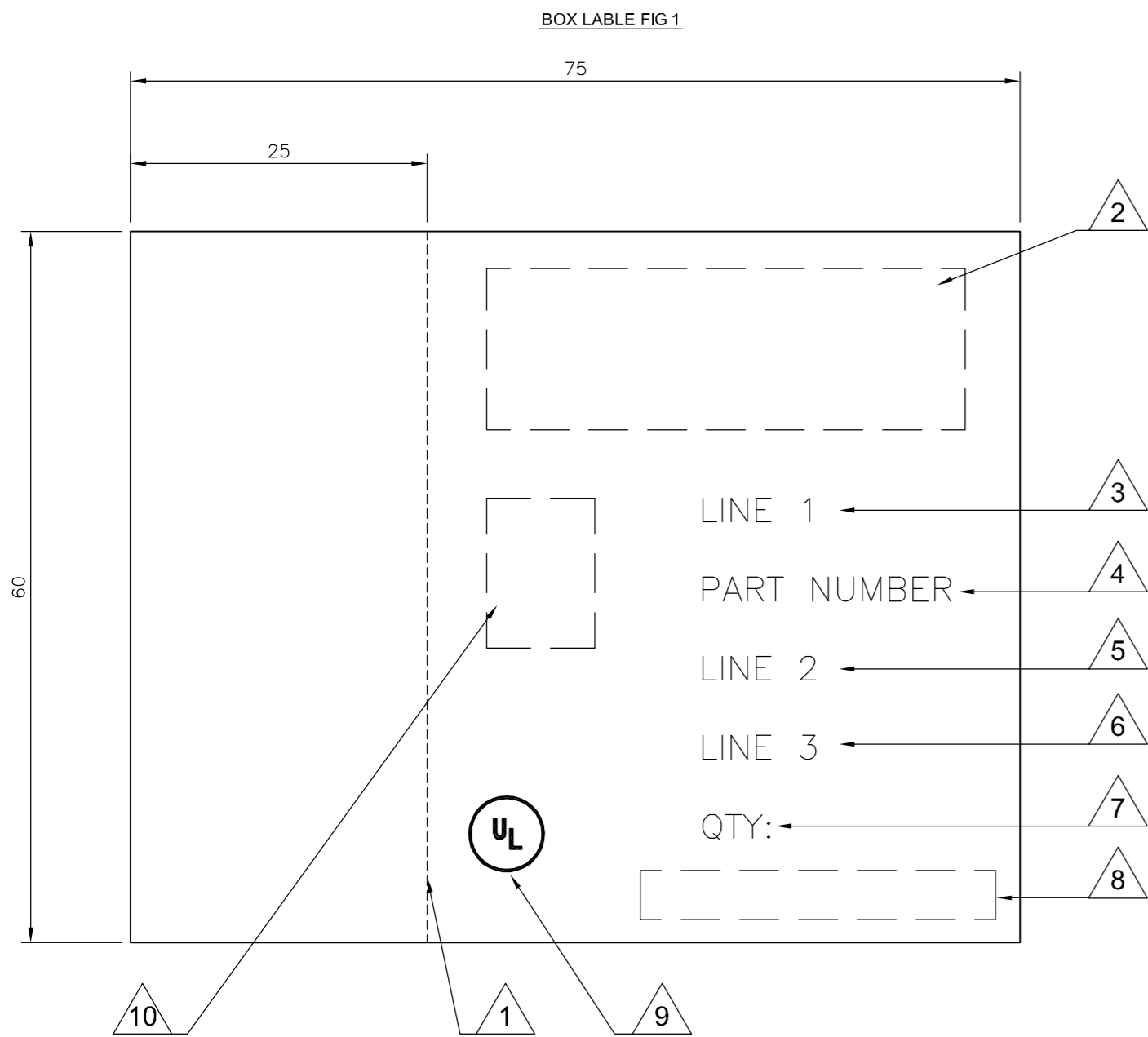
THIS DRAWING IS A CONTROLLED DOCUMENT.

| | | | |
|------------------|--|----------------------------------|--|
| DIMENSIONS: mm | TOLERANCES UNLESS OTHERWISE SPECIFIED: | DWN 20JUL05 K.Raghunandan | Tyco Electronics Corporation Bideford, UK, EX39 4HE |
| | 0 PLC ± 0.5 | CHK 04/05/07 S. Parlow | |
| | 1 PLC ± 0.2 | APVD 04/05/07 F. Wheeler-King | |
| | 2 PLC ± 0.1 | PRODUCT SPEC | |
| | 3 PLC ± 0.015 | APPLICATION SPEC | NAME |
| | 4 PLC ± - | | EURO-CRIMP INSULATED YELLOW RING TERMINAL 2.5mmsq-6.0mmsq / 12-10 AWG RANGE |
| | ANGLES ± - | | SIZE CAGE CODE DRAWING NO RESTRICTED TO |
| MATERIAL - | FINISH - | WEIGHT - | A2 00779 C=1838164 - |
| CUSTOMER DRAWING | | | SCALE NTS SHEET 1 OF 2 REV A |

1838164

THIS DRAWING IS UNPUBLISHED. RELEASED FOR PUBLICATION 20JUL ,2005.
 © COPYRIGHT 2005 BY TYCO ELECTRONICS CORPORATION. ALL RIGHTS RESERVED.

| LOC | | DIST | | REVISIONS | | | |
|-----|-----|-------------|------|-----------|------|--|--|
| P | LTR | DESCRIPTION | DATE | DWN | APVD | | |
| - | - | SEE SHEET 1 | - | - | - | | |



LABEL NOTES:

- 1. PERFORATED LINE: DOTTED LINE TO BE ALIGNED WITH OPENING EDGE & FOLDED TO LEFT SIDE OF BOX.
- 2. LOGO: USE LATEST REVISION OF TYCO COMPANY LOGO.
- 3. LINE1: SEE SHEET 1, USE TEXT FROM COLUMN PACKAGING LABEL DESCRIPTION LINE 1.
- 4. PART NUMBER: FOR 1--0 & 2--0 USE TYCO PART NUMBER.
1--0 = 1-1838164-0
2--0 = 2-1838164-0
- 5. LINE 2: SEE SHEET 1, USE TEXT FROM COLUMN PACKAGING LABEL DESCRIPTION LINE 2.
- 6. LINE 3: SEE SHEET 1, USE TEXT FROM COLUMN PACKAGING LABEL DESCRIPTION LINE 3.
- 7. QTY: SEE SHEET 1, USE NUMBER FROM THE COLUMN QTY.
- 8. EAN BARCODE. USE LATEST TYCO BARCODE SUPPLIED.
1--0 = TYCO BARCODE
2--0 = TYCO BARCODE
- 9. UL: WHERE APPLICABLE USE UL LOGO, SEE SHEET 1.
- 10. PRODUCT PICTURE: A PRODUCT PICTURE IS REQUIRED.

BOX NOTES:

- 1. EURO SLOT: TO BE POSITIONED TO CENTRE ON FRONT COVER.
- 2. BOX HINGE: FRONT COVER TO BE HINGED ON RIGHT SIDE.
- 3. SPECIFICATION: COVER TO BE FREE FROM POSSIBLE WARPING & CAPABLE OF BEING RE-SEALED MIN 100 TIMES.
- 4. LABEL: CORRECT CUSTOMER BOX LABEL TO BE POSITIONED ON THE FRONT COVER WITH THE PERFORATED EDGE ON THE LEFT HAND SIDE.

PACK SPECIFICATION:

- 1. CLEAR PLASTIC BOX: PART NUMBER 1--0 TO BE PACKED 50 PARTS PER CLEAR PLASTIC BOX (FIG2) WITH THE CORRECT CUSTOMER LABEL (FIG1). 35 CLEAR PLASTIC BOXES OF THE SAME PART NUMBER ARE TO BE PACKED INTO A SUITABLE INNER CARTON BOX.
- 2. CLEAR PLASTIC BAG: PART NUMBER 2--0, USE A SUITABLE CLEAR PLASTIC BAG FOR 500 PARTS, POSITION AN APPROPRIATE LABEL AS IN FIG1 BUT WITHOUT THE PERFORATED SIDE, CENTRE OF BAG. 2 BAGS ARE THEN TO BE PACKED INTO A SUITABLE INNER CARTON BOX.
- 3. INNER CARTON LABEL: LABEL AS PER CLEAR PLASTIC BAG NOTE 2 BUT WITH INNER CARTON QTY 1000 TO BE POSITIONED ON THE SIDE OF THE BOX FOR VIEWING WHEN STORED.

| | | | | |
|---|--|-------------------------------------|--|--------------------|
| THIS DRAWING IS A CONTROLLED DOCUMENT. | | DWN K.Raghuandan 20JUL05 | Tyco Electronics Corporation Bideford, UK, EX39 4HE | |
| DIMENSIONS: mm | | CHK S. Parlow 04/05/07 | NAME EURO-CRIMP INSULATED YELLOW RING TERMINAL 2.5mmsq-6.0mmsq / 12-10 AWG RANGE | |
| TOLERANCES UNLESS OTHERWISE SPECIFIED: 0 PLC ± 0.5 1 PLC ± 0.2 2 PLC ± 0.1 3 PLC ± 0.015 4 PLC ± - ANGLES ± - | | APVD F. Wheeler-King 04/05/07 | RESTRICTED TO | |
| MATERIAL | | PRODUCT SPEC | SIZE A2 | CAGE CODE 00779 |
| FINISH | | APPLICATION SPEC | DRAWING NO C=1838164 | |
| | | WEIGHT | SCALE NTS | |
| | | CUSTOMER DRAWING | | SHEET 2 OF 2 |
| | | | | REV A |

1838164