

SCHURTER LTD

Durban Road
Bognor Regis
West Sussex
PO22 9RX U.K.

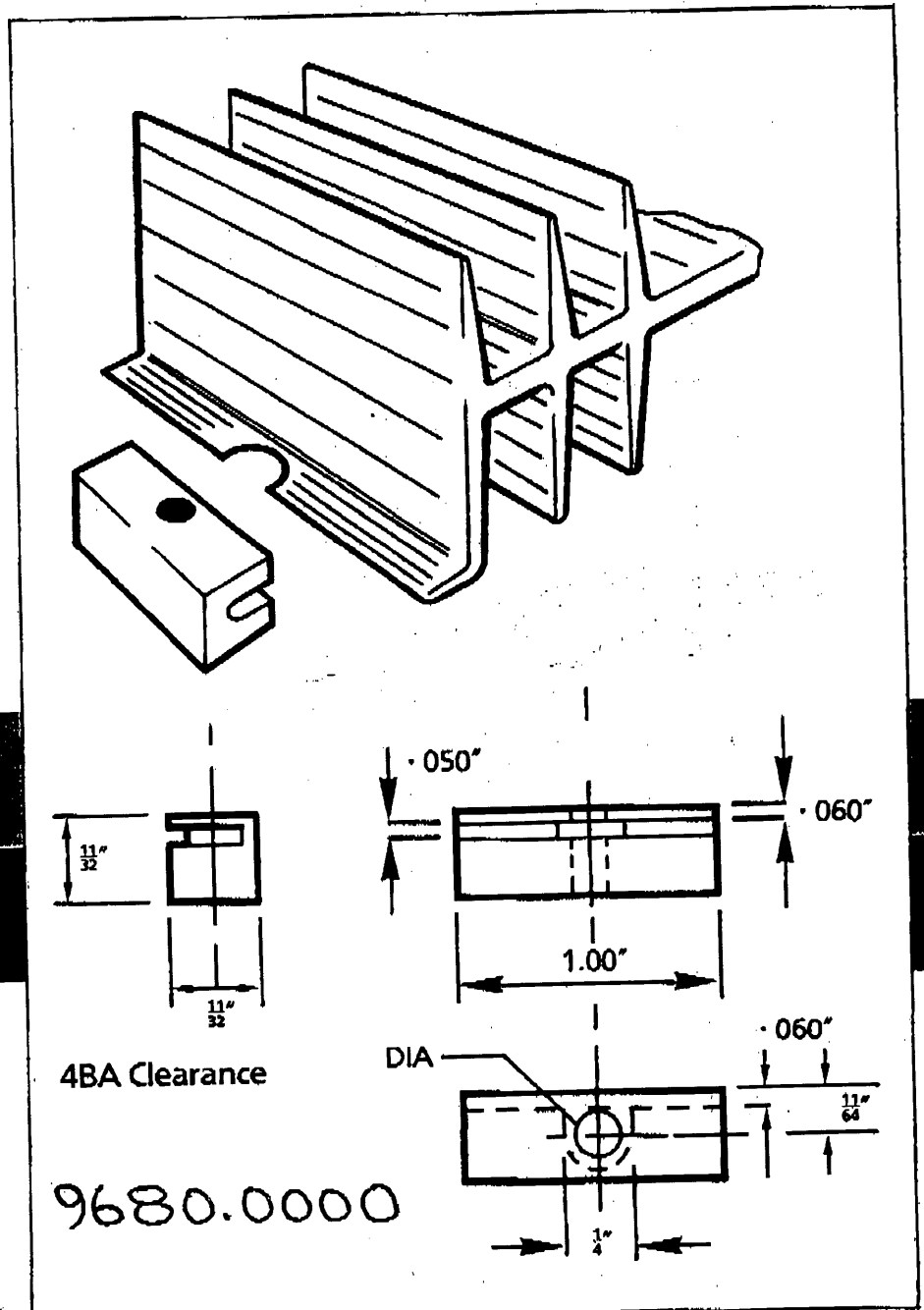
TRANSIBLOCK®

Insulating spacer for $\frac{1}{16}$ " thick heat-sinks. Allows fixing of power transistors without mica washers.

The Transiblock is a moulded Nylon insulating spacer which allows popular extruded-aluminium heat sinks to be firmly fixed and 'floated' above earth potential.

We recommend the use of Transiblocks wherever possible, to effectively insulate an entire heat-sink from a chassis. This in turn allows power transistors to be fitted to the 'floating' heat-sink directly. Using this method, mica washers need not be fitted. Thermal resistance generated by mica washers, as high as $0.5^{\circ}\text{C}/\text{W}$, is therefore eliminated.

414-505



SCHURTER

Electronic and Electrical Components