



## Switching, Sensing and Control Solutions

from GENTECH INTERNATIONAL LTD

Grangestone Industrial Estate, Girvan, Ayrshire KA26 9PS, United Kingdom

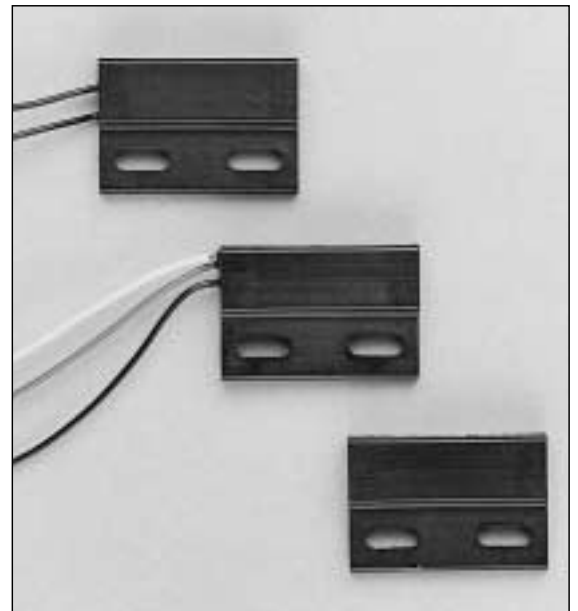
Telephone: +44 (0) 1465-713581. Fax: +44 (0) 1465 714974

Email: sales@gentech-international.co.uk

Website: www.gentechinternational.com

# PS1/PM1 & PS2/PM2 SERIES

## POSITION SENSORS



### DESIGN FEATURES

- Normally open, normally closed or changeover contact options
- UL listed models, PS2/PM2 range, file no.E153493
- Robust potted assembly in glass filled Nylon 6.6 UL 94-HB housing
- Cost effective, easy to install. Termination leads can be left or right handed to suit individual requirements
- Proven reed switch reliability, contact ratings up to 100Vdc, 15watts

The Gentech PS1 and PS2 Series of magnetic reed switch position sensors provide reliability and a robust construction suitable for dirty, oily, greasy, wet and similarly harsh environments. Operated by a similarly packaged (PM Series) magnet, the combination is suitable for direct magnet or shunt operation. PS Series position sensors meet a wide variety of application needs in security and safety systems, office equipment, fluid level sensing and management, construction plant, the automotive and many other industries.

### TYPICAL APPLICATIONS

- Security switches
- Interlocked switches
- Pulse generation
- Position indicators
- Materials handling
- Hook switches

### Operational Characteristics

Switch Option		01	02	03
Contact Configuration		<b>SPST(NO)</b>	<b>SPST(NC)</b>	<b>SPDT</b>
Contact ratings				
Maximum (resistive loads)	Volts DC	500	130	130
	Volts AC	250	100	100
	Amps	1.0	0.3	0.3
	Watts	15	3	3
Minimum breakdown voltage across contacts	Volts	800	200	200
Initial contact resistance	Ohms	0.15	0.2	0.2

*The above contact ratings are for resistive loads. For inductive, capacitive and tungsten filament lamp loads refer to the circuit protection notebook.*

### Environmental Specifications

#### Temperature Range

Magnet and Sensor  
Cable insulation

#### Operate and Storage

-30° to +105°C  
-30° to +70°C

### Electrical Connections

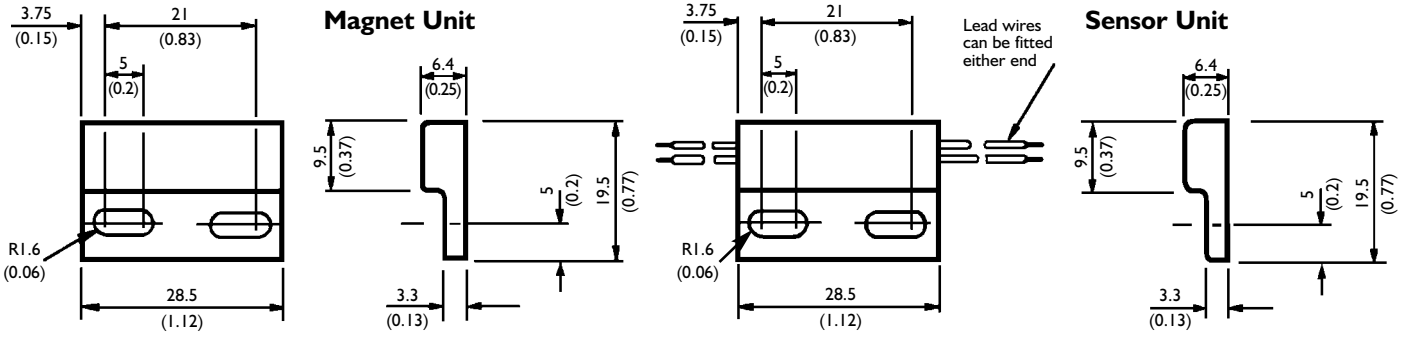
PS1 Range Switch Option 01 & 02 are fitted with 2 x 0.5 metre of 24AWG, 7/0.2mm stranded, with PVC insulation.

PS1 Range Switch Option 03 is fitted with 3 x 0.5 metre of 24AWG, 7/0.2mm stranded, with PVC insulation.

PS2 Range Switch Option 01 & 02 are fitted with 2 x 0.5 metre of 20AWG stranded, UL1015 with orange PVC insulation.

PS2 Range Switch Option 03 is fitted with 3 x 0.5 metre of 24AWG stranded, UL1569 with black, yellow & blue PVC insulation.

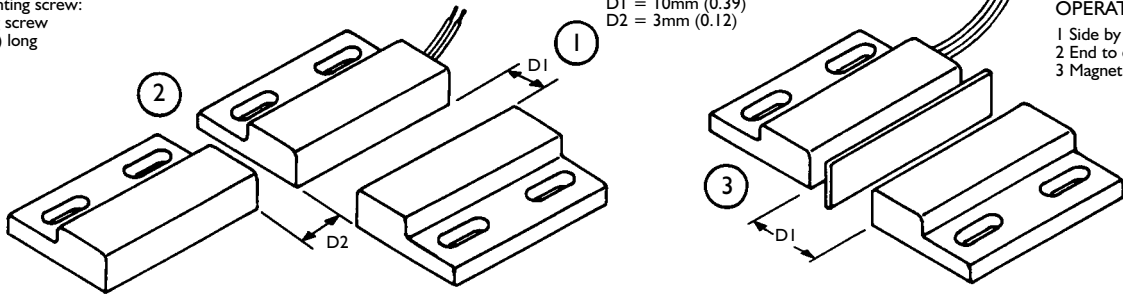
# PS1/PM1 & PS2/PM2 (UL LISTING)



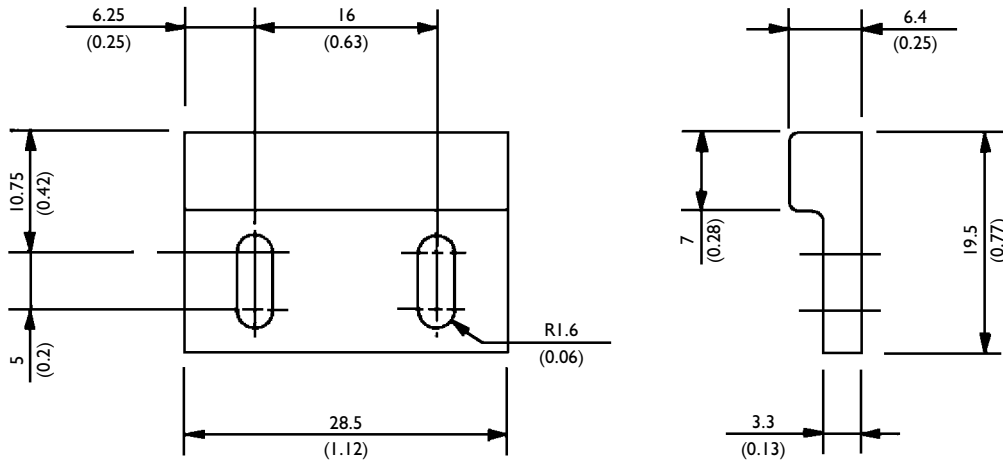
Recommended mounting screw:  
Pan head self tapping screw  
No.4 x 9.5mm (0.37) long

Maximum operate distance (all models)  
D1 = 10mm (0.39)  
D2 = 3mm (0.12)

MODES OF OPERATION  
1 Side by side  
2 End to end  
3 Magnetic shunt



## PM102 MAGNET



### Installation

Please contact Sales at Gentech for installation instructions (Ref. FI 1000-R1)

### Applications

Please contact Sales at Gentech for applications relating to this product group.



GENTECH INTERNATIONAL LTD  
Grangestone Industrial Estate, Girvan, Ayrshire KA26 9PS, United Kingdom  
Telephone: +44 (0) 1465-713581. Fax: +44 (0) 1465 714974  
Email: sales@gentech-international.co.uk  
Website: www.gentechinternational.com