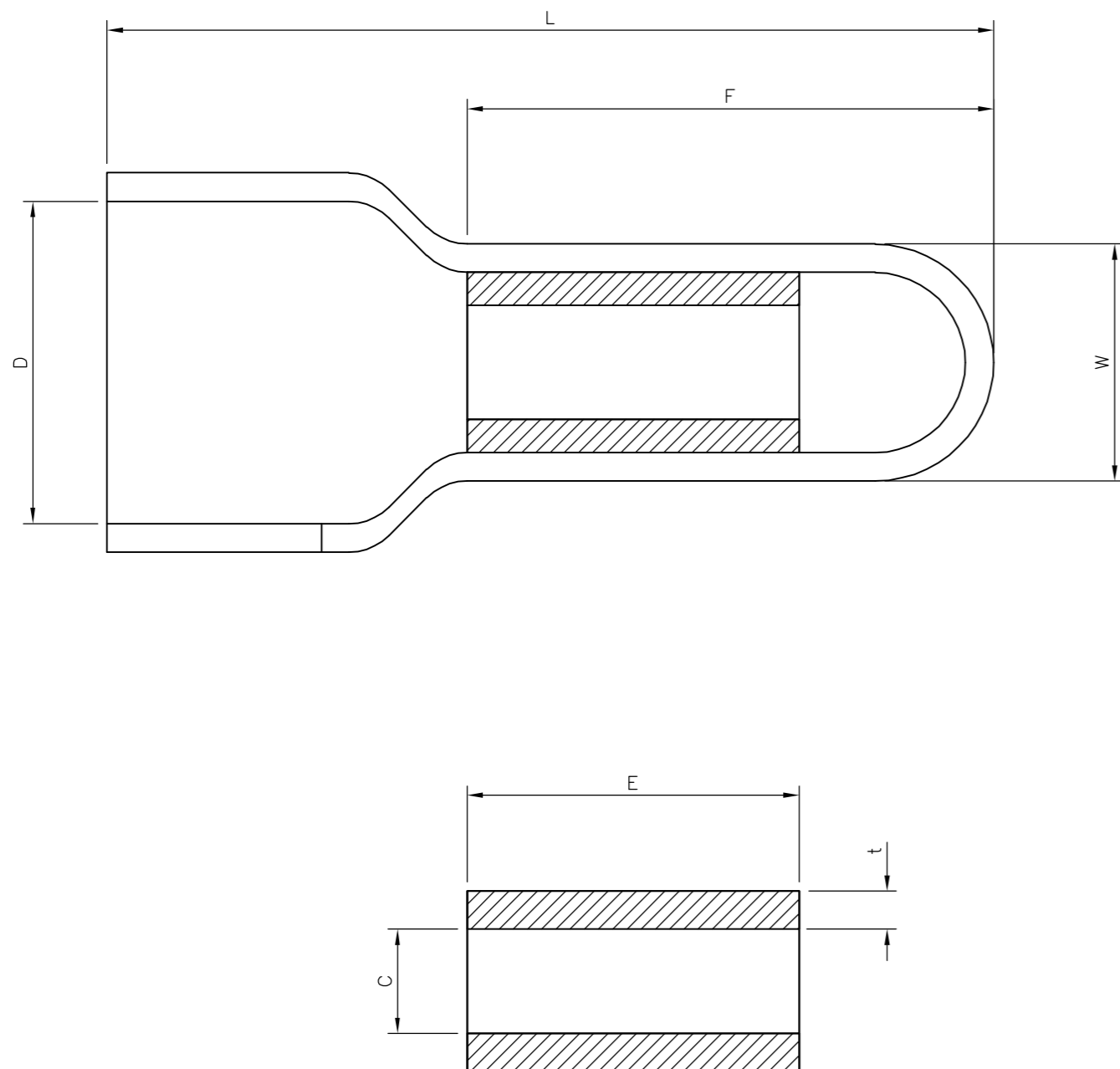


THIS DRAWING IS UNPUBLISHED. RELEASED FOR PUBLICATION 11AUG, 2005.
 © COPYRIGHT 2005 BY TYCO ELECTRONICS CORPORATION. ALL RIGHTS RESERVED.

LOC		DIST		REVISIONS			
P	LTR	DESCRIPTION		DATE	DWN	APVD	
	A	FIRST ISSUE		11AUG05	KR	FWK	



- NOTES:
- FOR TECHNICAL DATA REFER TO YOUR LOCAL TYCO ELECTRONICS SALES OFFICE.
 - ALL DIMENSIONS ARE NOMINAL FOR REFERENCE ONLY UNLESS OTHERWISE STATED.
 - FOR PACKAGING DETAILS SEE SHEET 2.
 - MATERIAL: BODY - COPPER
SLEEVE - PVC (K65), 94V-0

2-1838207-0	2.5mmsq - 6.0mmsq	3.9x17mm STANDARD ENTRY	END CONNECTOR (INSULATED)	1000	500	7.10	25.50	14.60	10.50	7.50	0.60	4.40	2.5mmsq - 6.0mmsq	END CONNECTOR (INSULATED)	2-1838207-0
1-1838207-0	12-10(AWG)			875	25								12-10(AWG)		1-1838207-0
STOCK NUMBER	PACKING LABEL DESCRIPTION LINE 3	PACKING LABEL DESCRIPTION LINE 2	PACKING LABEL DESCRIPTION LINE 1	INNER CARTON QTY	QTY	W (±0.20)	L (+0.20 -0)	F (±0.20)	D (±0.20)	E (±0.20)	t (±0.05)	C (±0.10)	WIRE SIZE (mmsq) & (AWG)	DESCRIPTION	PART No
DIMENSIONS															

THIS DRAWING IS A CONTROLLED DOCUMENT.

DWN	K.Raghuandan	11AUG05
CHK	S. Parlow	12/04/07
APVD	F. Wheeler-King	12/04/07
PRODUCT SPEC		
APPLICATION SPEC		
WEIGHT		
CUSTOMER DRAWING		

DIMENSIONS: mm
 TOLERANCES UNLESS OTHERWISE SPECIFIED:
 0 PLC ± 0.5
 1 PLC ± 0.2
 2 PLC ± 0.1
 3 PLC ± 0.015
 4 PLC ± -
 ANGLES ± -
 FINISH -

tyco Electronics Tyco Electronics Corporation
 Bideford, UK, EX39 4HE

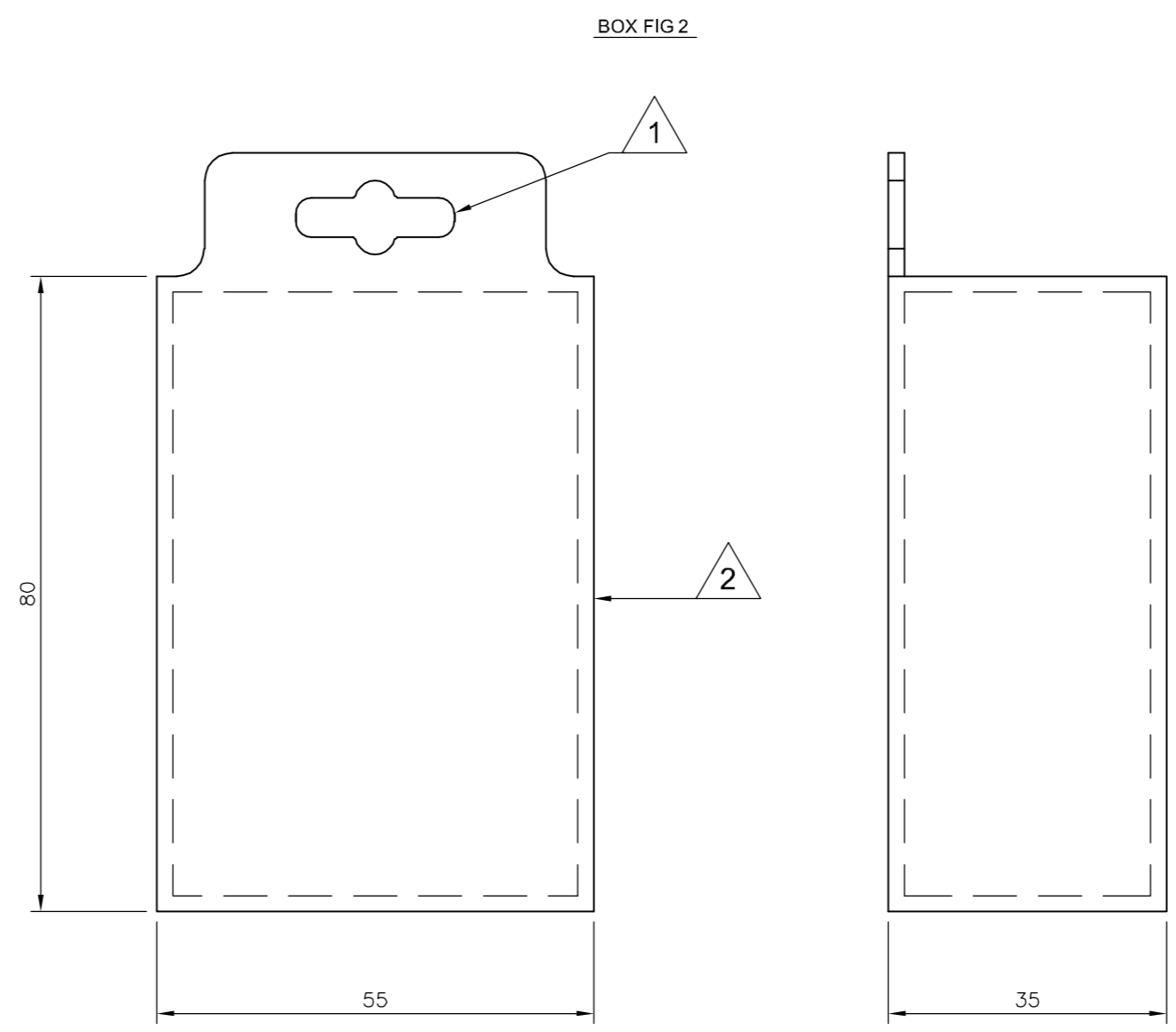
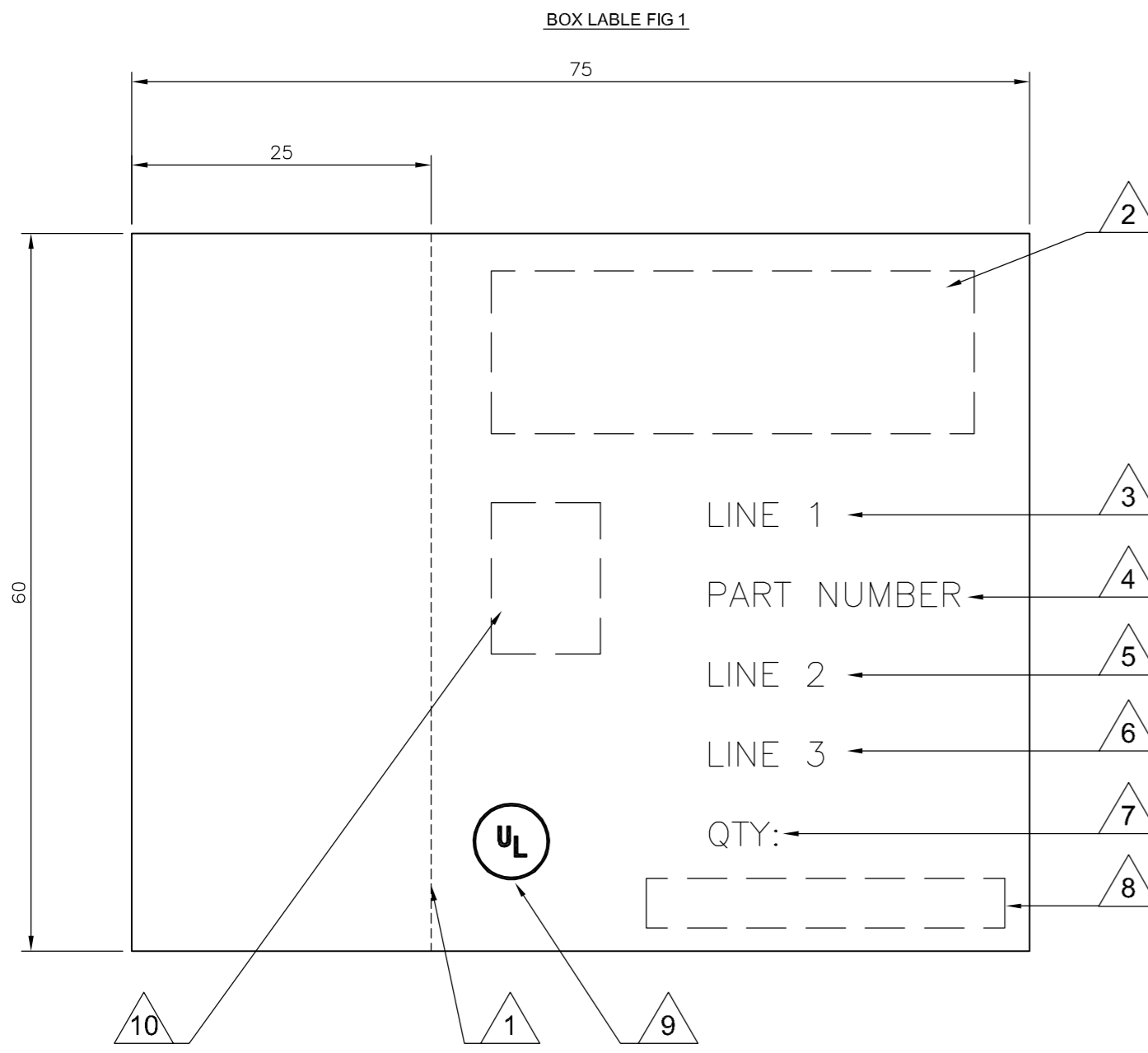
NAME: EURO-CRIMP INSULATED END CONNECTOR
 2.5mmsq - 6.0mmsq / 12-10 AWG RANGE

SIZE	CAGE CODE	DRAWING NO	RESTRICTED TO
A2	00779	C=1838207	-
SCALE	SHEET	OF	REV
NTS	1	2	A

1838207

THIS DRAWING IS UNPUBLISHED. RELEASED FOR PUBLICATION 11AUG, 2005.
 © COPYRIGHT 2005 BY TYCO ELECTRONICS CORPORATION. ALL RIGHTS RESERVED.

LOC		DIST		REVISIONS			
P	LTR	DESCRIPTION	DATE	DWN	APVD		
-	-	SEE SHEET 1	-	-	-		



- LABEL NOTES:**
- 1. PERFORATED LINE: DOTTED LINE TO BE ALIGNED WITH OPENING EDGE & FOLDED TO LEFT SIDE OF BOX.
 - 2. LOGO: USE LATEST REVISION OF TYCO COMPANY LOGO.
 - 3. LINE 1: SEE SHEET 1, USE TEXT FROM COLUMN PACKAGING LABEL DESCRIPTION LINE 1.
 - 4. PART NUMBER: FOR 1--0 & 2--0 USE TYCO PART NUMBER.
1--0 = 1-1838207-0
2--0 = 2-1838207-0
 - 5. LINE 2: SEE SHEET 1, USE TEXT FROM COLUMN PACKAGING LABEL DESCRIPTION LINE 2.
 - 6. LINE 3: SEE SHEET 1, USE TEXT FROM COLUMN PACKAGING LABEL DESCRIPTION LINE 3.
 - 7. QTY: SEE SHEET 1, USE NUMBER FROM THE COLUMN QTY.
 - 8. EAN BARCODE: USE LATEST TYCO BARCODE SUPPLIED.
1--0 = TYCO BARCODE
2--0 = TYCO BARCODE
 - 9. UL: WHERE APPLICABLE USE UL LOGO, SEE SHEET 1.
 - 10. PRODUCT PICTURE: A PRODUCT PICTURE IS REQUIRED.

- BOX NOTES:**
- 1. EURO SLOT: TO BE POSITIONED TO CENTRE ON FRONT COVER.
 - 2. BOX HINGE: FRONT COVER TO BE HINGED ON RIGHT SIDE.
 - 3. SPECIFICATION: COVER TO BE FREE FROM POSSIBLE WARPING & CAPABLE OF BEING RE-SEALED MIN 100 TIMES.
 - 4. LABEL: CORRECT CUSTOMER BOX LABEL TO BE POSITIONED ON THE FRONT COVER WITH THE PERFORATED EDGE ON THE LEFT HAND SIDE.

- PACK SPECIFICATION:**
- 1. CLEAR PLASTIC BOX: PART NUMBER 1--0 TO BE PACKED 25 PARTS PER CLEAR PLASTIC BOX (FIG2) WITH THE CORRECT CUSTOMER LABEL (FIG1), 35 CLEAR PLASTIC BOXES OF THE SAME PART NUMBER ARE TO BE PACKED INTO A SUITABLE INNER CARTON BOX.
 - 2. CLEAR PLASTIC BAG: PART NUMBER 2--0, USE A SUITABLE CLEAR PLASTIC BAG FOR 500 PARTS, POSITION AN APPROPRIATE LABEL AS IN FIG1 BUT WITHOUT THE PERFORATED SIDE, CENTRE OF BAG. 2 BAGS ARE THEN TO BE PACKED INTO A SUITABLE INNER CARTON BOX.
 - 3. INNER CARTON LABEL: LABEL AS PER CLEAR PLASTIC BAG NOTE 2 BUT WITH INNER CARTON QTY 1000 TO BE POSITIONED ON THE SIDE OF THE BOX FOR VIEWING WHEN STORED.

THIS DRAWING IS A CONTROLLED DOCUMENT.		DWN K.Raghuandan 11AUG05	tyco Electronics	Tyco Electronics Corporation Bideford, UK, EX39 4HE	
DIMENSIONS: mm		CHK S. Parlow 12/04/07		NAME EURO-CRIMP INSULATED END CONNECTOR 2.5mmsq - 6.0mmsq / 12-10 AWG RANGE	
TOLERANCES UNLESS OTHERWISE SPECIFIED:		APVD F. Wheeler-King 12/04/07	PRODUCT SPEC -		
0 PLC ± 0.5 1 PLC ± 0.2 2 PLC ± 0.1 3 PLC ± 0.015 4 PLC ± - ANGLES ± -		APPLICATION SPEC -		SIZE A2	CAGE CODE 00779
MATERIAL -		FINISH -		DRAWING NO C=1838207	
		WEIGHT -		RESTRICTED TO -	
CUSTOMER DRAWING			SCALE NTS	SHEET 2	REV A

1838207