



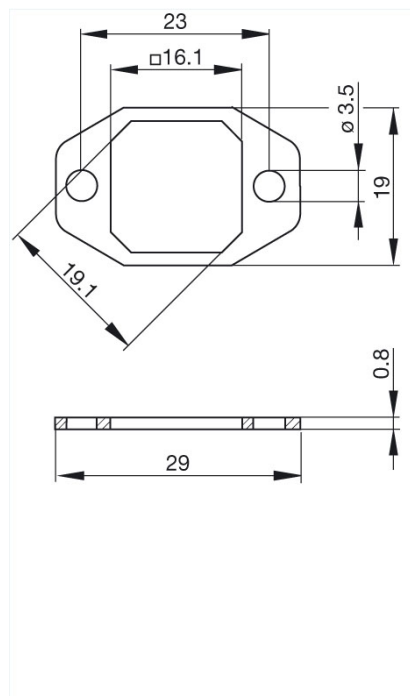
## G 30 E-2 schwarz/black

Accessories G-series

### Product description

Description	Flat gasket, for panel-mounted connectors with flange, material thickness: 0,8 mm
Type	G 30 E-2 schwarz/black
Order No.	733 415-002
Standard	DIN VDE 0627 / IEC 61984
Housing Color	black

### Drawing



### Material

O-Ring	NBR
--------	-----

### Environmental conditions

Pollution severity	3
Temperature range	-40°C bis +90 °C

### Packing unit

Packaging unit	50 pieces
----------------	-----------

### Scope of delivery and accessories

Scope of delivery	1 flat gasket
-------------------	---------------

Accessories to order separately

can be plugged into G 4 E 1 M grau/grey,  
G 4 A 5 M schwarz/black, G 4 A 1 M grau/grey,  
G 30 E 3 M grau/grey