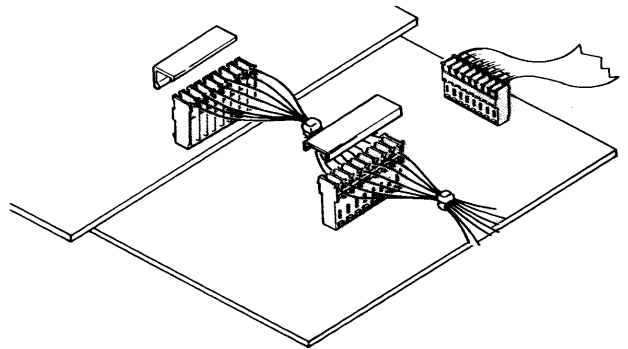
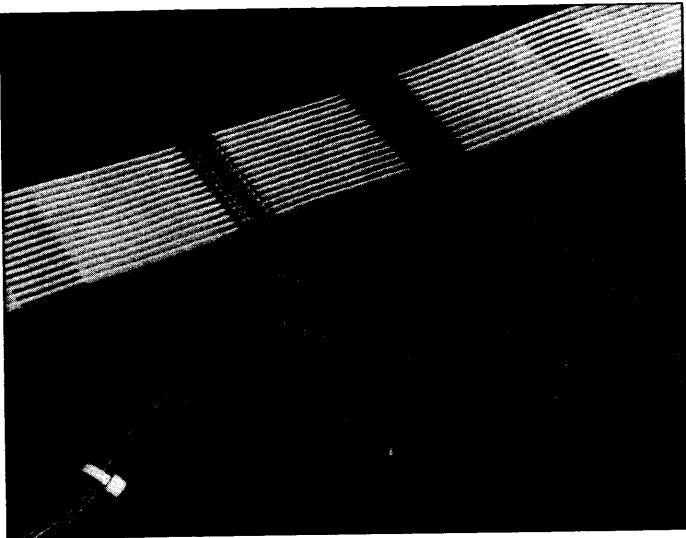


A6 MAS-CON® IDC Connectors

.100" ♀ End and Through Connectors

A



PANDUIT'S .100" centerline MAS-CON connectors allow a reliable and economical method to bring power to a printed circuit board using discrete wire or pre-notched flat cable. Connectors offered in Circuit End (CE) and Circuit Through (CT) styles have color coded ribs for AWG size identification. Brown solid circles below ribs are also used to identify the CT connector which is used for daisychain applications. Optimum connector performance is provided by the IDC contacts piercing the insulation of each wire on two sides to make four (4) gas-tight connections. Contacts are copper alloy with tin over nickel plating. Optional 30 μ " or 15 μ " gold contact plating is also available.

Performance Data

MATERIALS

Housing: 6/6 Nylon, U.L. 94 V-2 Rated
Contact: Copper Alloy
Plating: 200 μ " Tin Over Nickel
 30 μ " Gold Over Nickel (optional)
 15 μ " Gold Over Nickel (optional)

MECHANICAL

Mating Force: 1.3 lbs. Max. per contact
Unmating Force: 0.2 lbs. Min. per contact
Wire Range: .030"/.055" Outside Diameter
Recommended Wire: PVC: U.L. Styles 1007, 1061, 1095, 1429, 1430, 2651 (Flat Cable) and MIL-W-16878.
Teflon: U.L. Style 1213; Type G, MIL-W-16878E148; Type ET, MIL-W-16878E16; Type KT, MIL-W-16878; Type K, MIL-W-16878

ELECTRICAL

Current Rating: 22 AWG — 4.0 Amps
 24/26 AWG — 3.5 Amps
 28 AWG — 3.0 Amps
Dielectric Withstanding Voltage: 2.0 KVAC Min.*
Insulation Resistance: 5,000 Megohms Min.*

TEMPERATURE

Range: -67°F to 221°F (-55°C to 105°C)

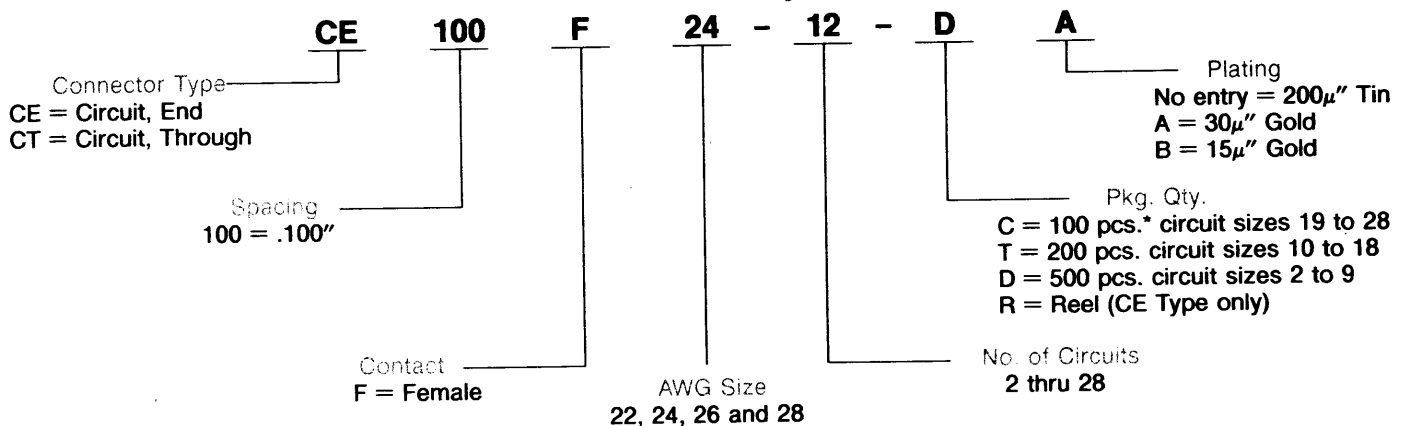
AGENCY APPROVALS

U.L. Recognized — File No. E73711

C.S.A. Certified — File No. 46657

* Between adjacent contacts

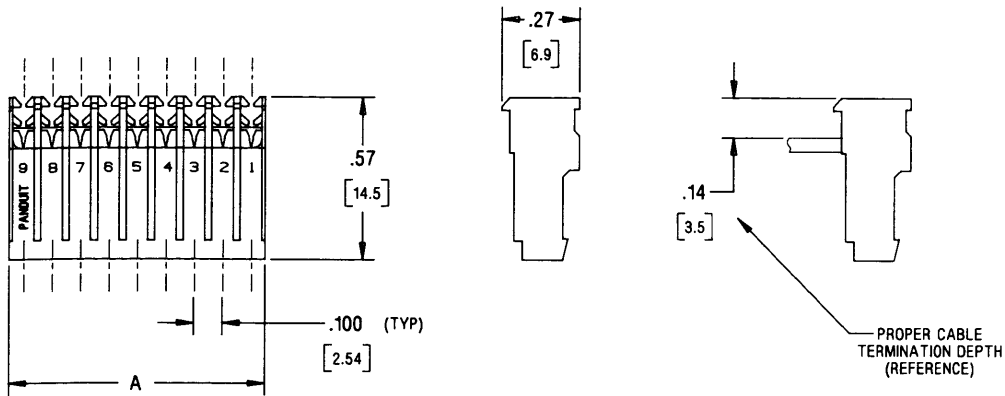
Part Number System



* For smaller package quantities please contact distributor or factory.

MAS-CON® IDC Connectors A7

100 Series Connector (Part No. 100) (5 06mm) Tin Plating
 100 Series Connector (Part No. 100) (5 06mm) Tin Plating



MATES TO HEADER PART No's.		APPLICABLE SNAP-ON COVERS
MFAE100-XX	MLSS100-XX	EC100F-XX
MFAS100-XX	MPAS100-XX	SCC100F-XX
MFSS100-XX	MPSS100-XX	
MLAS100-XX		

Dimensions

No. of Ckts.	A	No. of Ckts.	A
2	.20 (5.1)	16	1.60 (40.6)
3	.30 (7.6)	17	1.70 (43.2)
4	.40 (10.2)	18	1.80 (45.7)
5	.50 (12.7)	19	1.90 (48.3)
6	.60 (15.2)	20	2.00 (50.8)
7	.70 (17.8)	21	2.10 (53.3)
8	.80 (20.3)	22	2.20 (55.9)
9	.90 (22.9)	23	2.30 (58.4)
10	1.00 (25.4)	24	2.40 (61.0)
11	1.10 (27.9)	25	2.50 (63.5)
12	1.20 (30.5)	26	2.60 (66.0)
13	1.30 (33.0)	27	2.70 (68.6)
14	1.40 (35.6)	28	2.80 (71.1)
15	1.50 (38.1)		

All dimensions shown in inches and (millimeters)

Ordering Information

No. of Ckts.	Wire Size/AWG Color				No. of Ckts.	Wire Size/AWG Color			
	28 AWG Green	26 AWG Blue	24 AWG Black	22 AWG Red		28 AWG Green	26 AWG Blue	24 AWG Black	22 AWG Red
2	CE100F28- 2-□	CE100F26- 2-□	CE100F24- 2-□	CE100F22- 2-□	16	CE100F28-16-□	CE100F26-16-□	CE100F24-16-□	CE100F22-16-□
3	CE100F28- 3-□	CE100F26- 3-□	CE100F24- 3-□	CE100F22- 3-□	17	CE100F28-17-□	CE100F26-17-□	CE100F24-17-□	CE100F22-17-□
4	CE100F28- 4-□	CE100F26- 4-□	CE100F24- 4-□	CE100F22- 4-□	18	CE100F28-18-□	CE100F26-18-□	CE100F24-18-□	CE100F22-18-□
5	CE100F28- 5-□	CE100F26- 5-□	CE100F24- 5-□	CE100F22- 5-□	19	CE100F28-19-□	CE100F26-19-□	CE100F24-19-□	CE100F22-19-□
6	CE100F28- 6-□	CE100F26- 6-□	CE100F24- 6-□	CE100F22- 6-□	20	CE100F28-20-□	CE100F26-20-□	CE100F24-20-□	CE100F22-20-□
7	CE100F28- 7-□	CE100F26- 7-□	CE100F24- 7-□	CE100F22- 7-□	21	CE100F28-21-□	CE100F26-21-□	CE100F24-21-□	CE100F22-21-□
8	CE100F28- 8-□	CE100F26- 8-□	CE100F24- 8-□	CE100F22- 8-□	22	CE100F28-22-□	CE100F26-22-□	CE100F24-22-□	CE100F22-22-□
9	CE100F28- 9-□	CE100F26- 9-□	CE100F24- 9-□	CE100F22- 9-□	23	CE100F28-23-□	CE100F26-23-□	CE100F24-23-□	CE100F22-23-□
10	CE100F28-10-□	CE100F26-10-□	CE100F24-10-□	CE100F22-10-□	24	CE100F28-24-□	CE100F26-24-□	CE100F24-24-□	CE100F22-24-□
11	CE100F28-11-□	CE100F26-11-□	CE100F24-11-□	CE100F22-11-□	25	CE100F28-25-□	CE100F26-25-□	CE100F24-25-□	CE100F22-25-□
12	CE100F28-12-□	CE100F26-12-□	CE100F24-12-□	CE100F22-12-□	26	CE100F28-26-□	CE100F26-26-□	CE100F24-26-□	CE100F22-26-□
13	CE100F28-13-□	CE100F26-13-□	CE100F24-13-□	CE100F22-13-□	27	CE100F28-27-□	CE100F26-27-□	CE100F24-27-□	CE100F22-27-□
14	CE100F28-14-□	CE100F26-14-□	CE100F24-14-□	CE100F22-14-□	28	CE100F28-28-□	CE100F26-28-□	CE100F24-28-□	CE100F22-28-□
15	CE100F28-15-□	CE100F26-15-□	CE100F24-15-□	CE100F22-15-□					

NOTE: □ Denotes packaging quantity offered. Please refer to "Part Number System" on Page A6.