

10 9 8 7 6 5 4 3 2 1

F

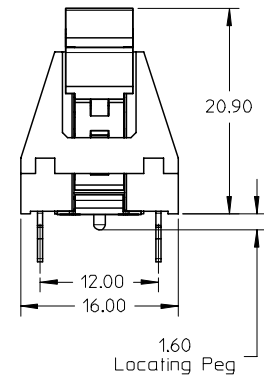
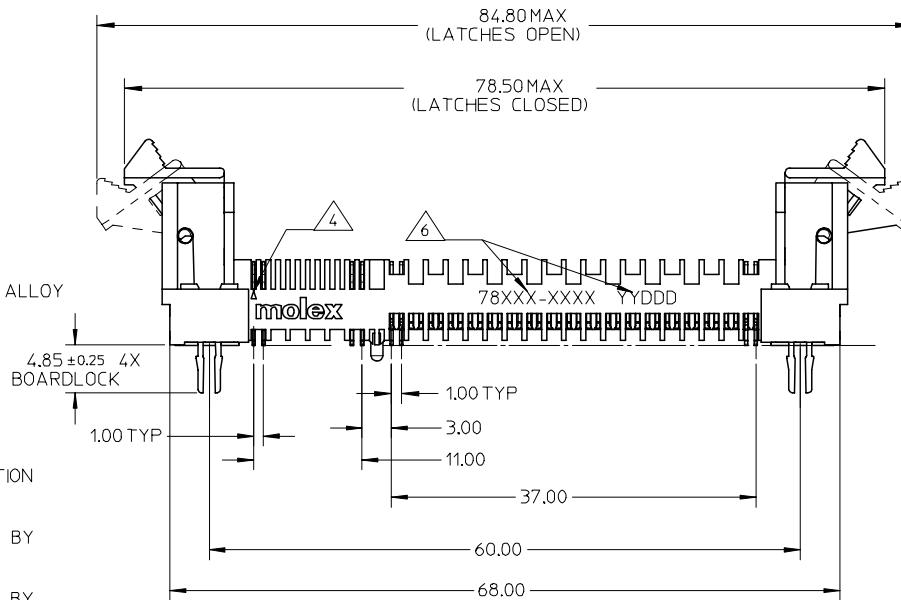
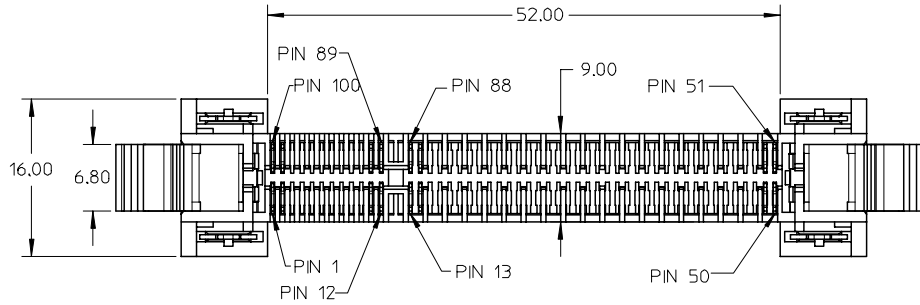
E

D

C

B

A

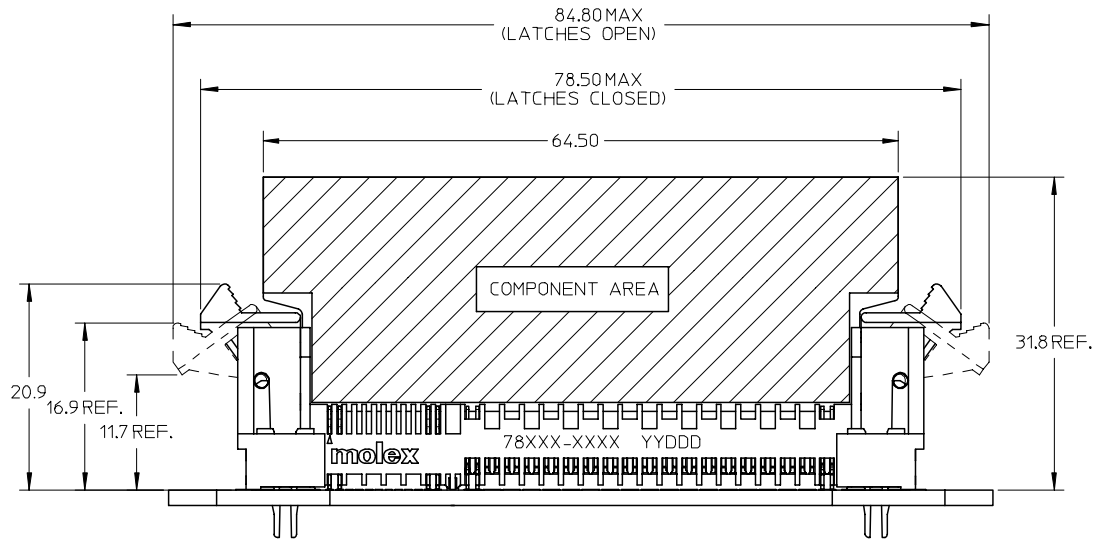


NOTES:

1. MATERIAL :
HOUSING & LATCHES: LCP
CONTACTS, FORKLOCK & FITTING NAIL: COPPER ALLOY
2. FINISH:
CONTACTS : 0.76um(30u") MIN GOLD OVER
1.27um (50u") MIN NICKEL
SMT TAIL : 3.81um (150u") MIN TIN OVER
1.27um (50u") MIN NICKEL
3. THIS DRAWING IS BASED UPON PIN CONFIGURATION OF 24 SIGNALS AND 38 POWER PINS.
a) THE OVERALL CONNECTOR LENGTH INCREASES BY 1.00MM FOR EVERY ADDITIONAL 2 SIGNAL PINS.
b) THE OVERALL CONNECTOR LENGTH INCREASES BY 2.00MM FOR EVERY ADDITIONAL 2 POWER PINS.
4. MOLDED-PIN #1 INDICATOR
5. FORKLOCK IS TO BE SOLDERED ONTO PCB.
6. PART NUMBER AND DATE CODE (YYDDD) TO BE LASER MARKED ONTO HOUSING.
7. UNLESS SPECIFIED OTHERWISE, ALL DIMENSIONS ARE FOR REFERENCE PURPOSES ONLY.
8. SPECIFICATIONS:
PRODUCT SPECIFICATION: PS-78086-008.

REVISED EC NO: S2007-0383 DRWN:KWLOKE 2006/10/20 CHKD:WAGESHKN 2006/10/25 APPR:PTLIM 2006/10/27 A1	QUALITY SYMBOLS = 0 = 0	GENERAL TOLERANCES (UNLESS SPECIFIED)		DIMENSION STYLE MM ONLY		SCALE NTS	DESIGN UNITS METRIC	THIRD ANGLE PROJECTION			
		4 PLACES ± --- ± ---	3 PLACES ± --- ± ---	2 PLACES ± 0.13 ± ---	1 PLACE ± 0.25 ± ---	DRAWN BY KWLOKE	DATE 2006/02/22	TITLE LOW PROFILE VRM SOCKET 24S-38P, 100A W/LATCH, B/L, SMT			
		ANGULAR ± 3 °		DRAFT WHERE APPLICABLE MUST REMAIN WITHIN DIMENSIONS		CHECKED BY BHLOW	DATE 2006/06/29	MOLEX INCORPORATED			
		SEE TABLE		MATERIAL NO.		APPROVED BY PTLIM		DATE 2006/06/30	DOCUMENT NO. SD-78086-001		SHEET NO. 1 OF 4

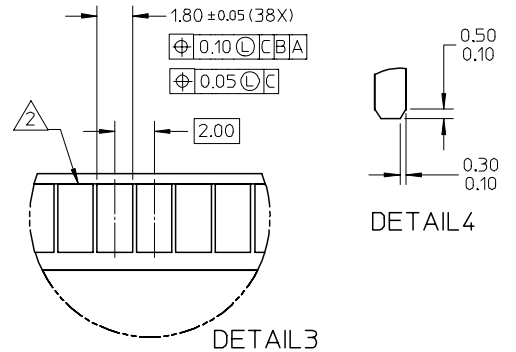
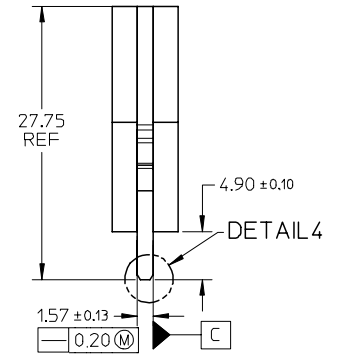
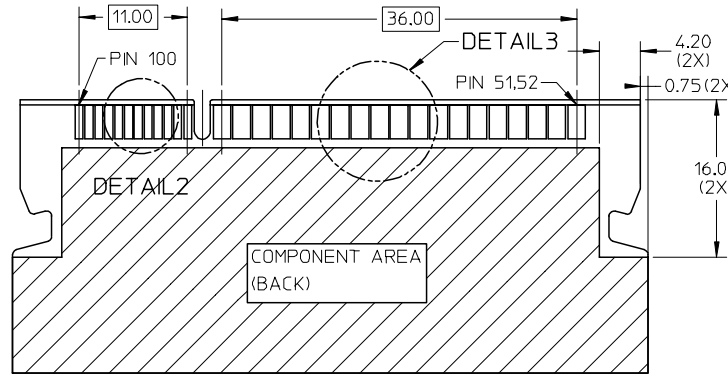
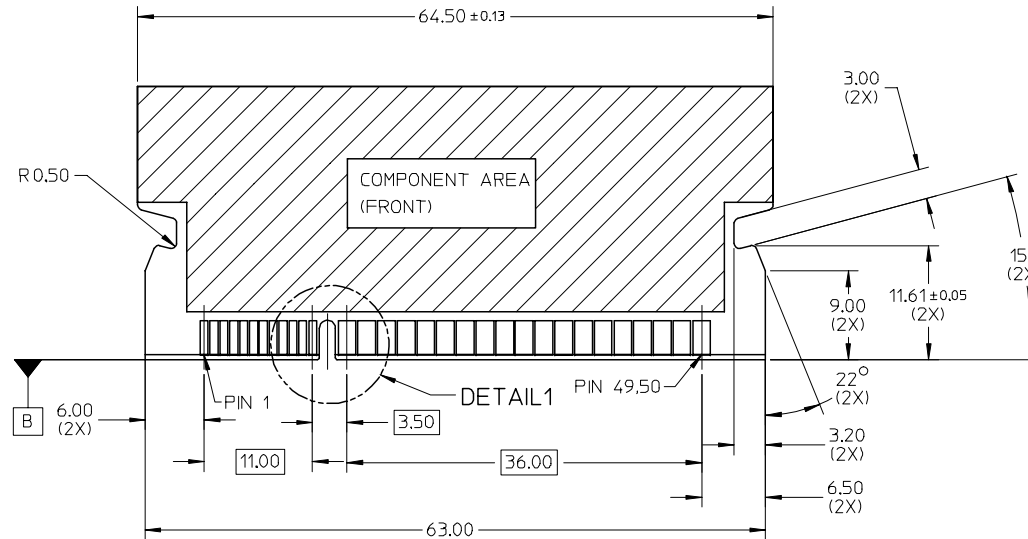
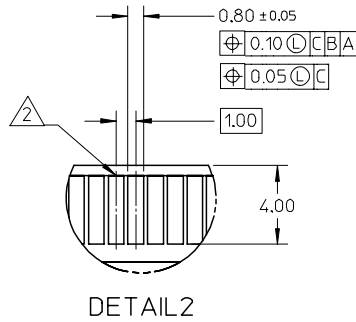
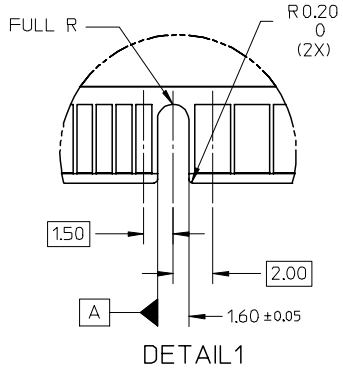
9 8 7 6 5 4 3 2 1



REVISED EC NO: S2007-0383 DRWN: KWLOKE CHKD: NAGESHKN APPR: PTLIM	2006/10/20 2006/10/25 2006/10/27	QUALITY SYMBOLS ▽=0 ◻=0	GENERAL TOLERANCES (UNLESS SPECIFIED)		DIMENSION STYLE MM ONLY		SCALE NTS	DESIGN UNITS METRIC	THIRD ANGLE PROJECTION			
				mm	INCH	DRAWN BY KWLOKE	DATE 2006/02/22	TITLE LOW PROFILE VRM SOCKET 24S-38P, 100A W/LATCH, B/L, SMT				
			4 PLACES	± ---	± ---	CHECKED BY BHLOW	DATE 2006/06/29					
			3 PLACES	± ---	± ---	APPROVED BY PTLIM	DATE 2006/06/30	MOLEX INCORPORATED MATERIAL NO. _____ DOCUMENT NO. SD-78086-001 SHEET NO. 2 OF 4				
2 PLACES	± 0.13	± ---	DRAFT WHERE APPLICABLE MUST REMAIN WITHIN DIMENSIONS		SEE TABLE							
1 PLACE	± 0.25	± ---										
		ANGULAR ± 3 °										

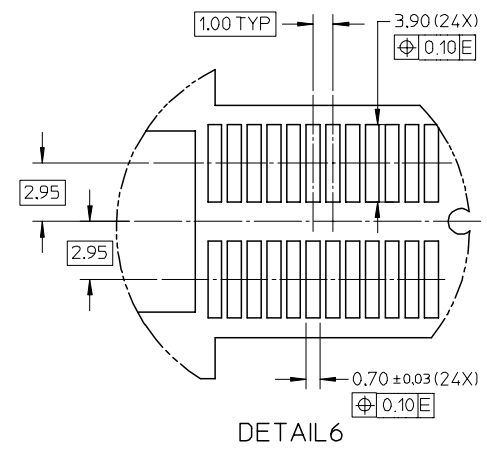
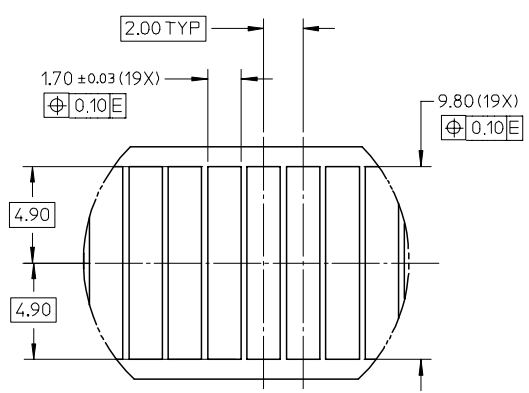
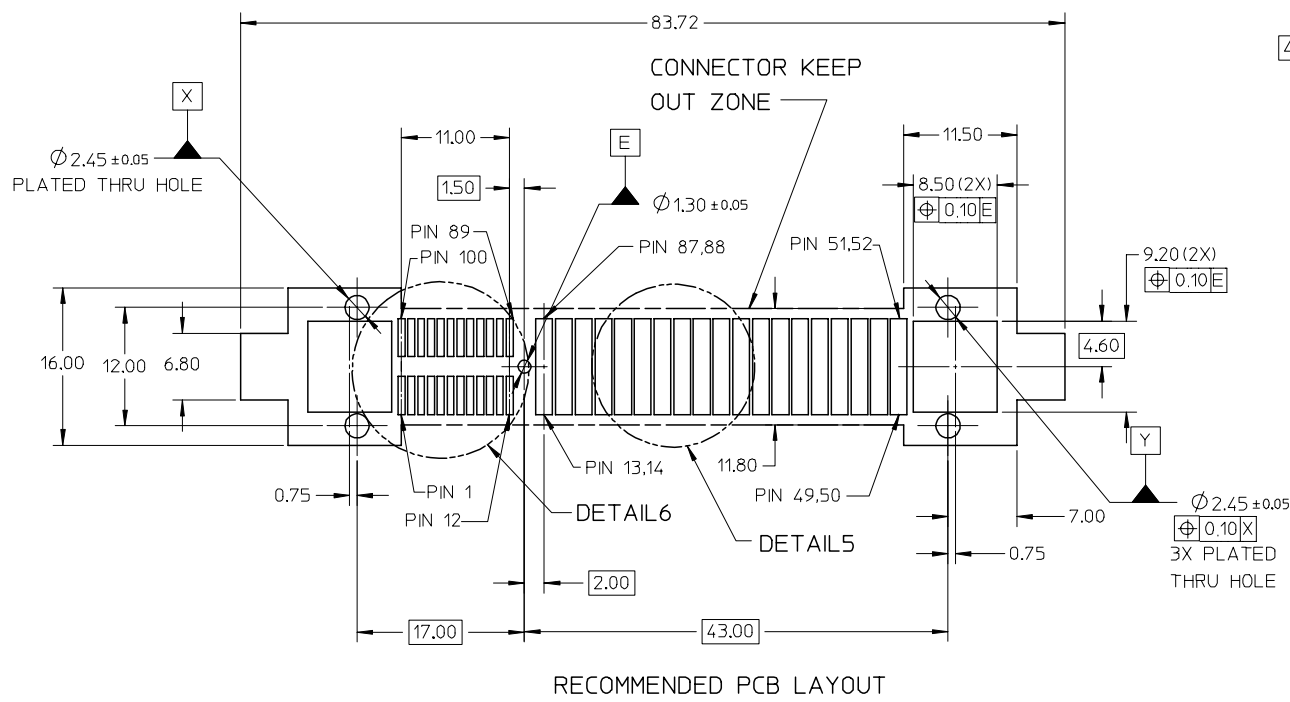
NOTES:

- OPPOSING POWER PADS MUST BE OF THE SAME POLARITY.
- APPLICATION NOTE:
EDGE OF CONTACT PADS SHALL BE FREE OF BURRS AND EXTERNAL TIE BARS.



REVISED EC NO: S2007-0383 DRWN: KWLOKE CHKD: NAGESHKN APPR: PTLIM 2006/10/20 2006/10/25 2006/10/27	QUALITY SYMBOLS ▽=0 ▽=0	GENERAL TOLERANCES (UNLESS SPECIFIED)		DIMENSION STYLE MM ONLY		SCALE NTS	DESIGN UNITS METRIC	THIRD ANGLE PROJECTION			
		4 PLACES ± --- ± ---	3 PLACES ± --- ± ---	2 PLACES ± 0.13 ± ---	1 PLACE ± 0.25 ± ---	ANGULAR ± 3°	DRAWN BY KWLOKE	DATE 2006/02/22	TITLE LOW PROFILE VRM SOCKET 24S-38P, 100A W/LATCH, B/L, SMT		
		DRAFT WHERE APPLICABLE MUST REMAIN WITHIN DIMENSIONS					CHECKED BY BHLOW	DATE 2006/06/29	MOLEX INCORPORATED		
		SEE TABLE					APPROVED BY PTLIM	DATE 2006/06/30	DOCUMENT NO. SD-78086-001	SHEET NO. 3 OF 4	

10	9	8	7	6	5	4	3	2	1
PART NUMBER	SIGNAL	POWER	PLATING	REMARKS					
78086-0001	24	38	TIN	WITH PEG					



RECOMMENDED PCB LAYOUT

LOW PROFILE VRM SOCKET
24S-38P, 100A
W/LATCH, B/L, SMT

MOLEX INCORPORATED

DOCUMENT NO. SD-78086-001 SHEET NO. 4 OF 4

REVISED	DESCRIPTION
EC NO: S2007-0383	2006/10/20
DRWN:KWLOKE	2006/10/25
CHKD:NAJESHKN	2006/10/27
APPR:PTLIM	2006/10/27
A1	REV

QUALITY SYMBOLS	QUALITY SYMBOLS
$\nabla = 0$	$\nabla = 0$
$\triangle = 0$	$\triangle = 0$

GENERAL TOLERANCES (UNLESS SPECIFIED)	DIMENSION STYLE MM ONLY	
	mm	INCH
4 PLACES	± 0.13	± 0.005
3 PLACES	± 0.13	± 0.005
2 PLACES	± 0.13	± 0.005
1 PLACE	± 0.25	± 0.010
ANGULAR $\pm 3^\circ$		
DRAFT WHERE APPLICABLE MUST REMAIN WITHIN DIMENSIONS		

DRAWN BY	DATE
KWLOKE	2006/02/22
CHECKED BY	DATE
BHLOW	2006/06/29
APPROVED BY	DATE
PTLIM	2006/06/30
MATERIAL NO.	
SEE TABLE	
SIZE	
A3	

SCALE	DESIGN UNITS	THIRD ANGLE PROJECTION
NTS	METRIC	\square
TITLE		
LOW PROFILE VRM SOCKET		
24S-38P, 100A		
W/LATCH, B/L, SMT		
MOLEX INCORPORATED		
DOCUMENT NO.	SHEET NO.	
SD-78086-001	4 OF 4	