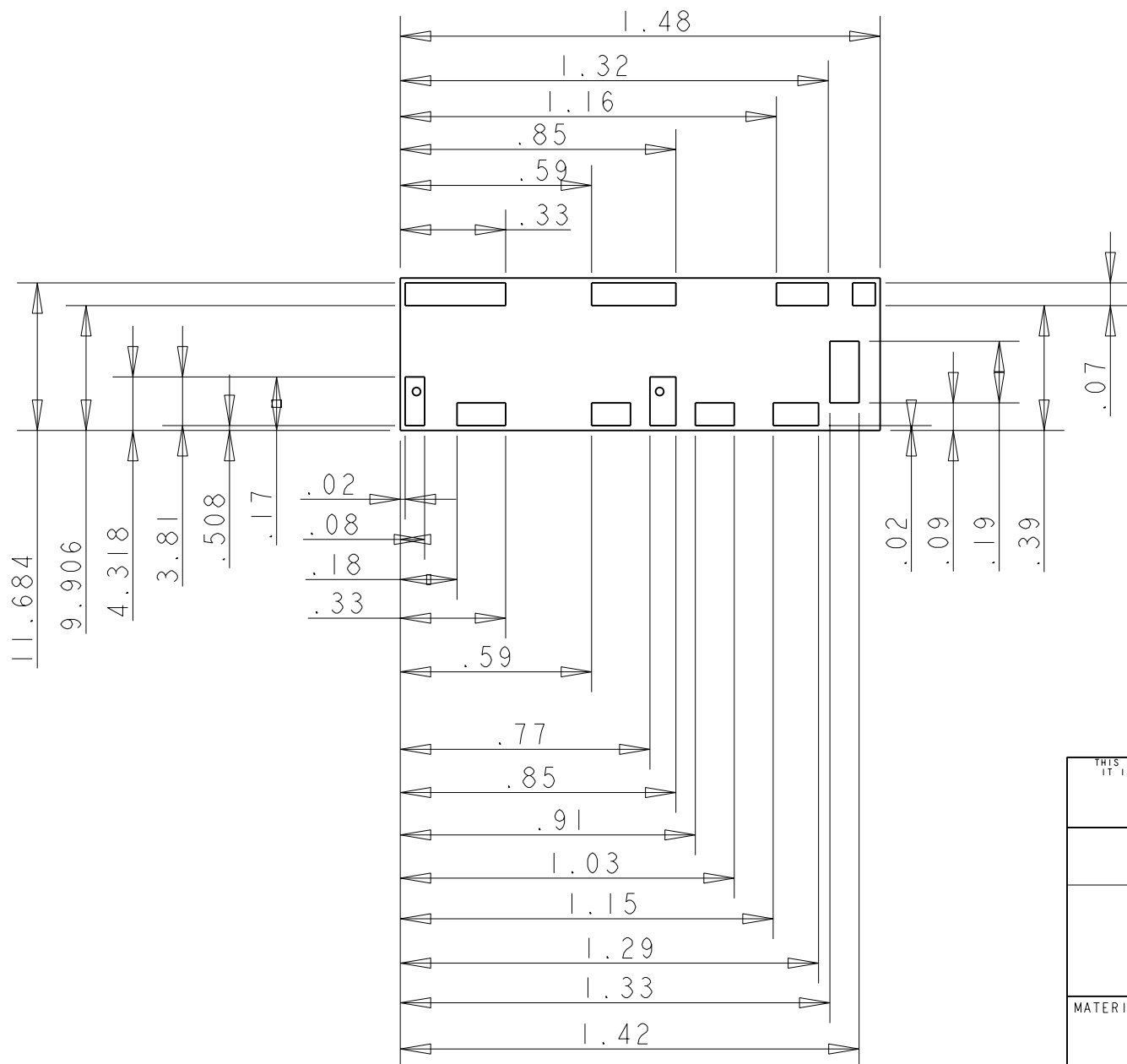
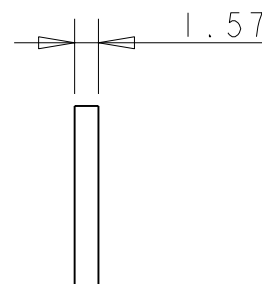
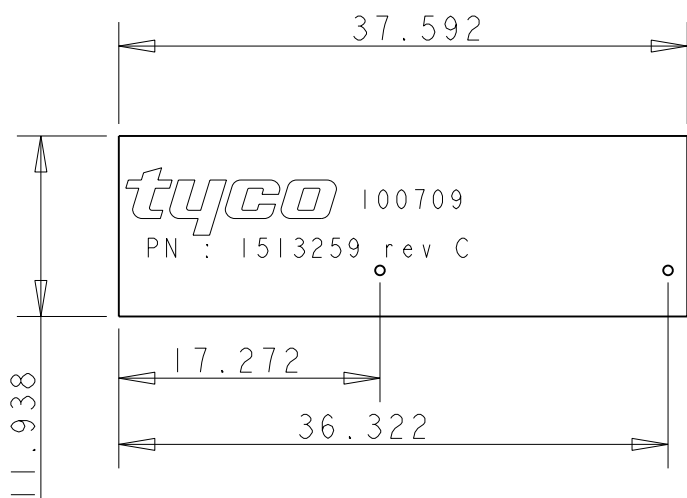


LOC HQ DIST 00

REVISIONS

P	LTR	DESCRIPTION	DATE	DWN	APVD
	A	Release to Production	24APR2003	MAH	MAH
	B	Update PN Identification	12MAY2003	MAH	MAH
	C	Reference Views Added	02MAR2004	DJL	MAH
	CI	Made RoHS compliant	02NOV2005	DJL	MAH



NOTES: UNLESS OTHERWISE SPECIFIED.

- FABRICATE TO MEET IPC - 6012, CLASS 2. INSPECT TO MEET IPC - A - 600, CLASS 2.
- PRIMARY SIDE (LAYER 1) SHOWN.
- MATERIAL : GETEK 8 PLY (7628) 1.49 THK. P/N RG200D, 1/2 OZ. COPPER, BOTH SIDES. DIELECTRIC CONSTANT @ 1MHZ 4.2 ± 0.1.
- PLATING TO BE 1/2 OZ. COPPER.
- FINISH :
A : SOLDER MASK OVER BARE COPPER. (SMOBC).
B : MASK BOTH SIDES OF PCB WITH LPI SOLDERMASK, SOLDERMASK COLOR : NATURAL GREEN.
C : IMMERSION TIN OR GOLD FINISH. AS SPECIFIED ON P.O.
- TOTAL BOARD THICKNESS INCLUDING PLATING, 1.57 ± .127.
- A : SILKSCREEN TO BE WHITE EPOXY INK.
B : SILKSCREEN VENDOR LOGO LAYER 2. DO NOT ETCH.
C : UL CODE, VENDOR DATE CODE AND ALL OTHER VENDOR MARKING MUST BE SILKSCREENED ONLY (LAYER 2) NO ADDED ETCH ALLOWED.
- TRACE WIDTH TO BE : EXACT DIMENSION AS ARTWORK. TOL. .025. VENDOR TO COMPENSATE FOR OVER / UNDER ETCH FACTOR.
- LAYER TO LAYER REGISTRATION TO BE ±.127.
- DIMENSIONS ARE IN MILLIMETERS.
- REFER TO GERBER FILE : 100709 REV C.ZIP FOR PCB MANUFACTURE.
- PARTS MUST BE SINGULATED BY ROUTING.
- PARTS ARE COMPLIANT TO RoHS STANDARDS.

THIS INFORMATION IS CONFIDENTIAL AND PROPRIETARY

THIS DRAWING IS A CONTROLLED DOCUMENT FOR TYCO ELECTRONICS CORPORATION IT IS SUBJECT TO CHANGE AND THE CONTROLLING ENGINEERING ORGANIZATION SHOULD BE CONTACTED FOR THE LATEST REVISION.

DIMENSIONS: INCHES		TOLERANCES UNLESS OTHERWISE SPECIFIED:	
		0 PLC	±.1
		1 PLC	±.05
		2 PLC	±.01
		3 PLC	±.005
		4 PLC	±.001
MATERIAL -		FINISH -	

DWN	DJL	02MAR2004	Tyco Electronics Rochester, New York 14623		
CHK	-	-	NAME		
APVD	-	-	World GSM Antenna Fabrication Drawing		
PRODUCT SPEC	-	-	SIZE	CAGE CODE	DRAWING NO
APPLICATION SPEC	-	-	A3	00779	1513259
WEIGHT	-	-	RESTRICTED TO		-
CUSTOMER DRAWING			SCALE	SHEET	REV
			2:1	1 OF 1	CI