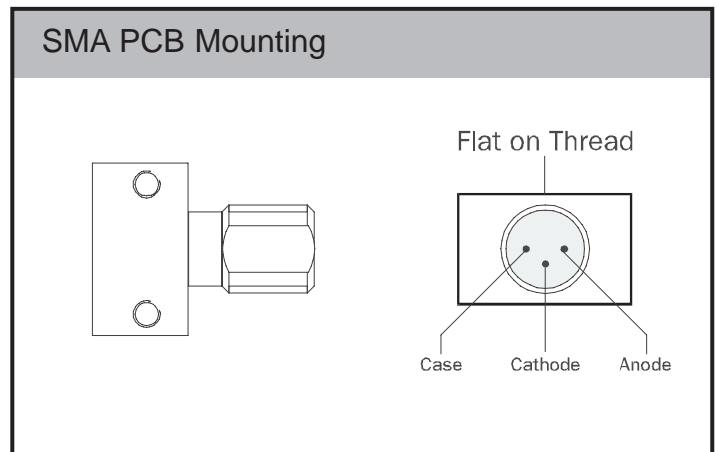




- Electrically isolated plastic cap package.
- High Radiant Output for Fibre Optic Applications.
- High Speed
- Integral Optical System

## Description

The FDE4020IR series LED provides fibre optic users with high coupled power and wide bandwidth in a low cost package.



A red sleeve on the anode denotes that the device is a transmitter.  
 Receiver devices have a black lead on the cathode.

## Maximum Recommended Ratings (@TA=25°C Unless Otherwise noted)

Reverse Voltage	1.0V
Continuous Forward Current	100mA
Storage Temperature Range	-55°C to +115°C
Operating Temperature Range	-40°C to +100°C
Lead Solder Temperature	260°C (1.6mm from case for 5secs)

## Optoelectronic Characteristics

Parameter	Min	Typ	Max	Units	Test Conditions
Radiant Power Output	25.0	35.0	—	μW	IF=100mA, 50μ core
Forward Voltage	—	1.7	2.0	V	IF=100mA
Peak Output Wavelength	830	850	870	nm	IF=50mA
Spectral Line Halfwidth	—	35	—	nm	IF=50mA
Output Rise Time	—	6.0	8.0	ns	IF=100mA, 10%-90%
Output Fall Time	—	6.0	10.0	ns	IF=100mA, 90%-10%