

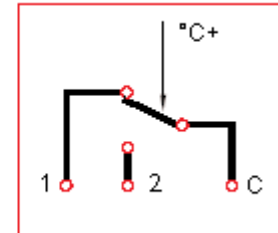
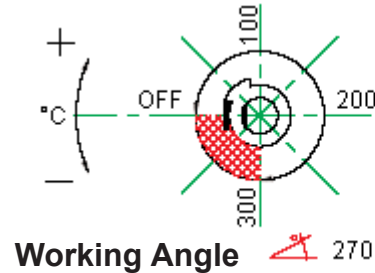
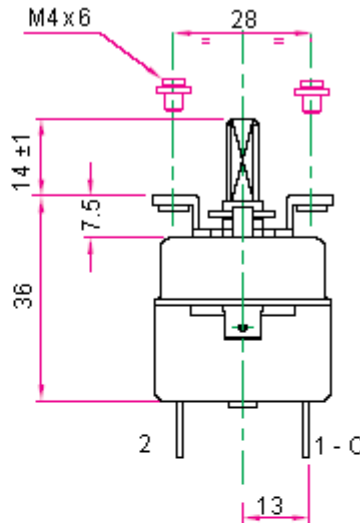
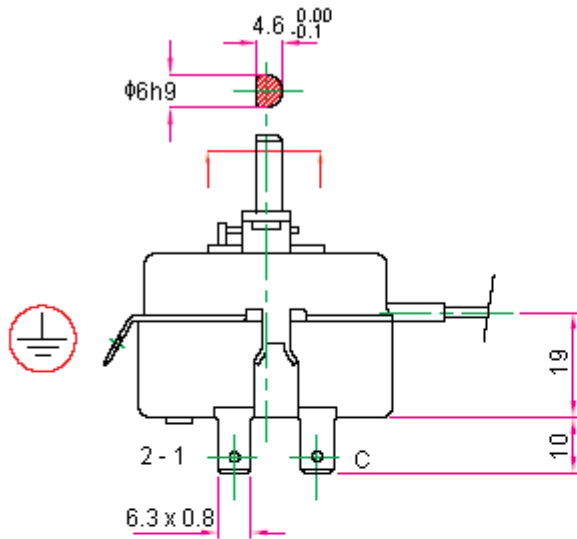


PART NO.

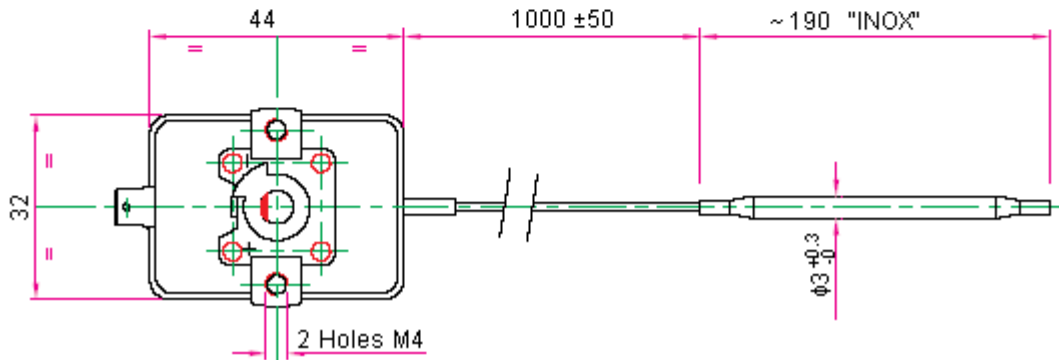
IM-100069

REVISIONS

ECN #	REV	DESCRIPTION	DRAWN	DATE	CHECKD	DATE	APPRVD	DATE
-	A	RELEASED	Suresh	18/05/09	Ramya	18/05/09	Farnell	01/06/09



Wiring Diagram



Pin Position at Minimum Temperature

Dimensions : Millimetres

This data sheet and its contents (the "Information") belong to the Premier Farnell Group (the "Group") or are licensed to it. No licence is granted for the use of it other than for information purposes in connection with the products to which it relates. No licence of any intellectual property rights is granted. The Information is subject to change without notice and replaces all data sheets previously supplied. The Information supplied is believed to be accurate but the Group assumes no responsibility for its accuracy or completeness, any error in or omission from it or for any use made of it. Users of this data sheet should check for themselves the Information and the suitability of the products for their purpose and not make any assumptions based on information included or omitted. Liability for loss or damage resulting from any reliance on the Information or use of it (including liability resulting from negligence or where the Group was aware of the possibility of such loss or damage arising) is excluded. This will not operate to limit or restrict the Group's liability for death or personal injury resulting from its negligence. SPC MULTICOMP is the registered trademark of the Group. © Premier Farnell plc 2009.

TOLERANCES:
UNLESS OTHERWISE SPECIFIED, DIMENSIONS ARE FOR REFERENCE PURPOSES ONLY.

DRAWN BY:	DATE:
Suresh	18/05/09
CHECKED BY:	DATE:
Ramya	18/05/09
APPROVED BY:	DATE:
Farnell	01/06/09

DRAWING TITLE:

Control Thermostat - 0 - 310 Degrees

SIZE A	DWG NO. M10002226	ELECTRONIC FILE 1712236_DWG	REV A
SCALE: NTS		U.O.M.: mm	SHEET: 1 OF 3



PART NO.

IM-100069

REVISIONS

ECN #	REV	DESCRIPTION	DRAWN	DATE	CHECKD	DATE	APPRVD	DATE
-	A	RELEASED	Suresh	18/05/09	Ramya	18/05/09	Farnell	01/06/09

Technical Characteristics:

Temperature range	: Off to +300°C
Tolerance	: Minimum temperature : Off Temperature : 100 ±15°C Maximum temperature : ±8°C.
Differential	: 8 ±2°C.
Sensing element maximum temperature resistance	: 350°C.
Contact rating	: 16 (4) A at 250V ac 6 (1) A at 400V ac.
Rated impulsive voltage	: 2.5kV.
Insulation grade	: II.
Maximum head temperature	: T 120°C.
Liquid filling sensing element.	
Stainless steel capillary and bulb.	
Degree of protection	: IP00.
Incorporated electromechanical thermostat.	
Mounting	: Screw fixing.
Earthing connection by tab terminal.	
Type of action	: 1B.
Pollution level of the control device	: 2.
To apply heat resistant conductors of minimum	: T 130°C.

This data sheet and its contents (the "Information") belong to the Premier Farnell Group (the "Group") or are licensed to it. No licence is granted for the use of it other than for information purposes in connection with the products to which it relates. No licence of any intellectual property rights is granted. The Information is subject to change without notice and replaces all data sheets previously supplied. The Information supplied is believed to be accurate but the Group assumes no responsibility for its accuracy or completeness, any error in or omission from it or for any use made of it. Users of this data sheet should check for themselves the Information and the suitability of the products for their purpose and not make any assumptions based on information included or omitted. Liability for loss or damage resulting from any reliance on the Information or use of it (including liability resulting from negligence or where the Group was aware of the possibility of such loss or damage arising) is excluded. This will not operate to limit or restrict the Group's liability for death or personal injury resulting from its negligence. SPC MULTICOMP is the registered trademark of the Group. © Premier Farnell plc 2009.

TOLERANCES:

UNLESS OTHERWISE SPECIFIED, DIMENSIONS ARE FOR REFERENCE PURPOSES ONLY.

DRAWN BY:

Suresh

DATE:

18/05/09

CHECKED BY:

Ramya

DATE:

18/05/09

APPROVED BY:

Farnell

DATE:

01/06/09

DRAWING TITLE:**Control Thermostat - 0 - 310 Degrees****SIZE**
A**DWG NO.**

M10002226

ELECTRONIC FILE
1712236_DWG**REV**
A

SCALE: NTS

U.O.M.: mm

SHEET: 2 OF 3

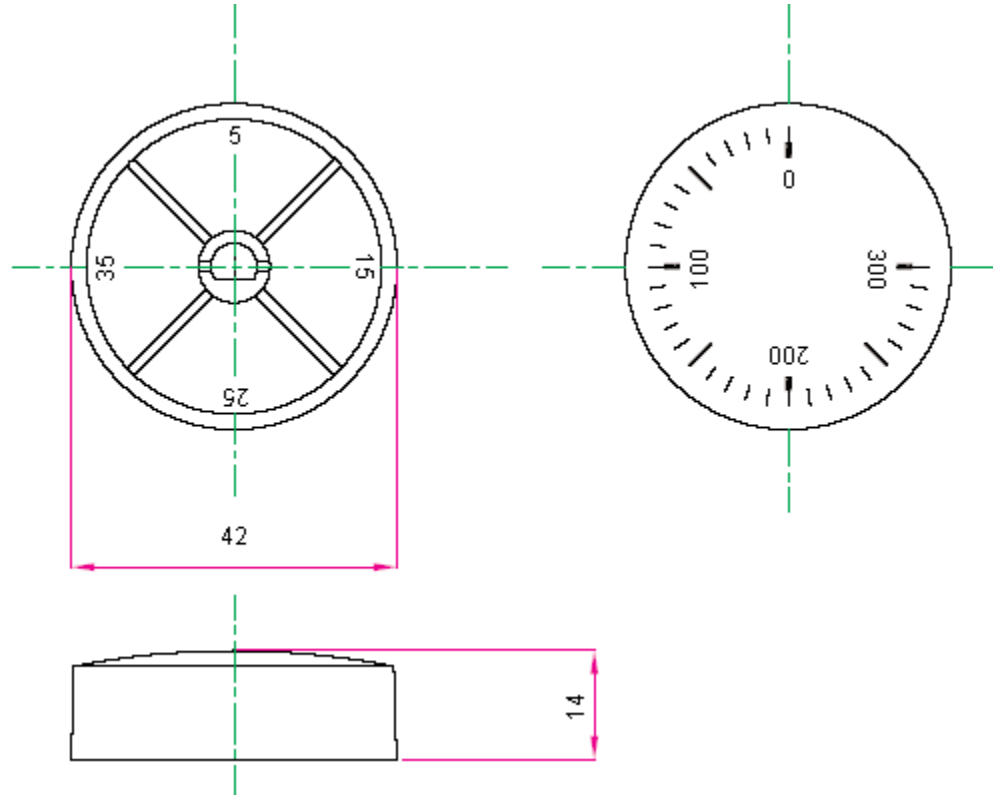
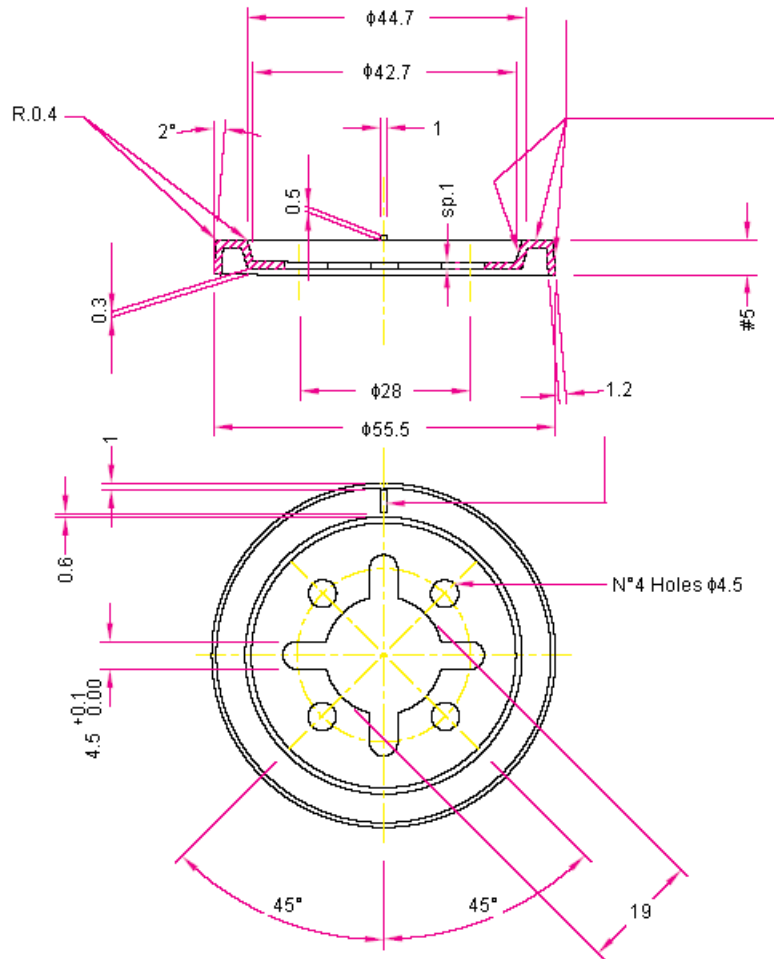


PART NO.

IM-100069

REVISIONS

ECN #	REV	DESCRIPTION	DRAWN	DATE	CHECKD	DATE	APPRVD	DATE
-	A	RELEASED	Suresh	18/05/09	Ramya	18/05/09	Farnell	01/06/09



Part Number Table

Description	Part Number
Control Thermostat 0 to 310	IM-100069

Dimensions : Millimetres

<http://www.farnell.com>
<http://www.newark.com>
<http://www.cpc.co.uk>

This data sheet and its contents (the "Information") belong to the Premier Farnell Group (the "Group") or are licensed to it. No licence is granted for the use of it other than for information purposes in connection with the products to which it relates. No licence of any intellectual property rights is granted. The Information is subject to change without notice and replaces all data sheets previously supplied. The Information supplied is believed to be accurate but the Group assumes no responsibility for its accuracy or completeness, any error in or omission from it or for any use made of it. Users of this data sheet should check for themselves the Information and the suitability of the products for their purpose and not make any assumptions based on information included or omitted. Liability for loss or damage resulting from any reliance on the Information or use of it (including liability resulting from negligence or where the Group was aware of the possibility of such loss or damage arising) is excluded. This will not operate to limit or restrict the Group's liability for death or personal injury resulting from its negligence. SPC MULTICOMP is the registered trademark of the Group. © Premier Farnell plc 2009.

TOLERANCES:
UNLESS OTHERWISE SPECIFIED, DIMENSIONS ARE FOR REFERENCE PURPOSES ONLY.

DRAWN BY:	DATE:
Suresh	18/05/09
CHECKED BY:	DATE:
Ramya	18/05/09
APPROVED BY:	DATE:
Farnell	01/06/09

DRAWING TITLE:

Control Thermostat - 0 - 310 Degrees

SIZE A	DWG NO. M10002226	ELECTRONIC FILE 1712236_DWG	REV A
SCALE: NTS		U.O.M.: mm	SHEET: 3 OF 3