

# MICRO SWITCH

A DIVISION OF MINNEAPOLIS-HONEYWELL REGULATOR COMPANY  
ROSBURY, MASSACHUSETTS

FED. MFR. CODE 91929

# SWITCH-BASIC

CATALOG LISTING

## BA-2RL

BA-2RL

PAGE 1 OF 1

M

DRAWING NUMBER

X12

ISSUE

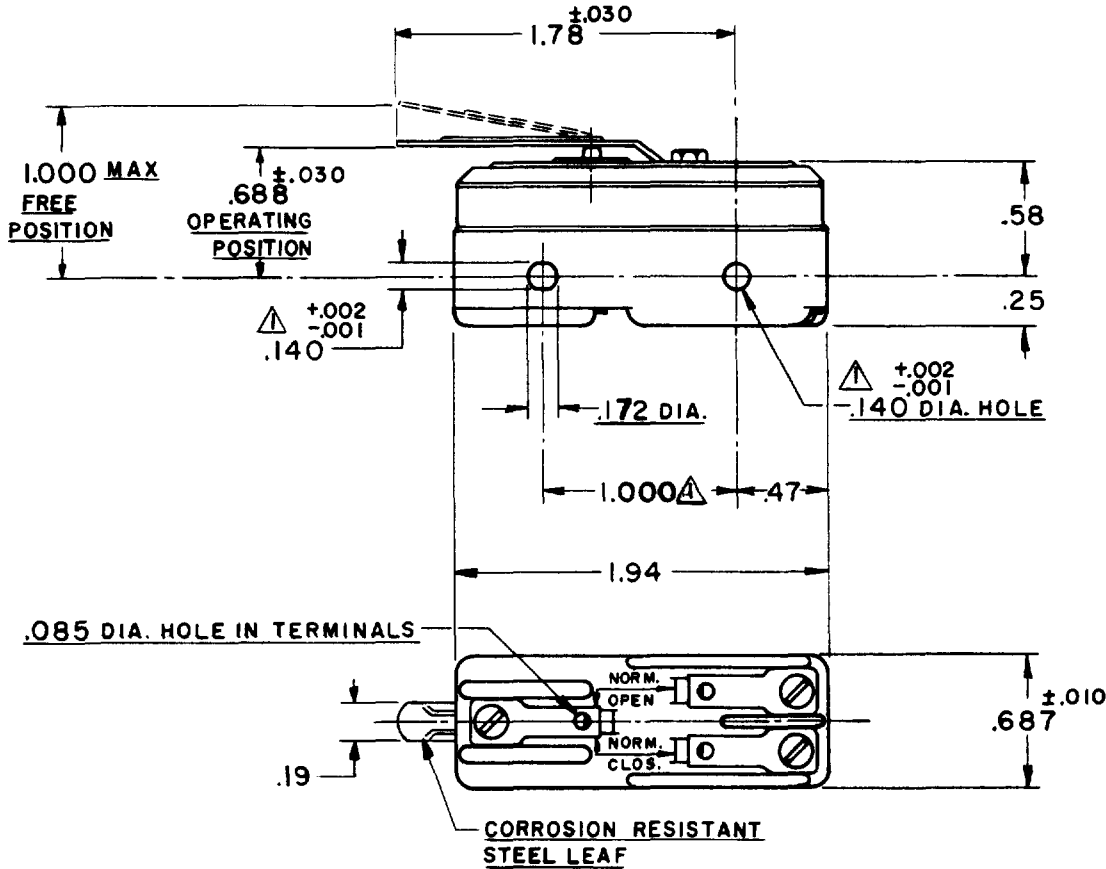
REPLACES

RELEASE NO.

CHECK

REVISIONS

A	CO 9600	R & D	26 FEB 59
B	CO34309	K P K	17 JAN 75
C	CO 77590	S AD	10 JUN 94
D	CO-92159	CSL	21 JAN 98
E	CO93346	DLT	25 AUG 98
F	CO-94212-C	DLT	20 SEP 99



NOTE

▲ MOUNTING HOLES WILL ACCEPT PINS OR SCREWS OF .139 MAX. DIA. ON 1.000 ±.002 CENTERS.

THIS DRAWING COVERS A PROPRIETARY ITEM AND IS THE PROPERTY OF MICRO SWITCH, A DIVISION OF MINNEAPOLIS-HONEYWELL REGULATOR CO. THIS DRAWING IS NOT TO BE COPIED OR USED WITHOUT THE APPROVAL OF MICRO SWITCH.

CHARACTERISTICS

OPERATING FORCE ----- 9 OZ MAX  
RELEASE FORCE ----- 1 OZ MIN  
DIFFERENTIAL TRAVEL ----- .065 MAX  
DO NOT OVERTRAVEL MORE THAN ----- .062

ELECTRICAL DATA

CONTACT ARRANGEMENT  
S P D T

L23 20A 125, 250 OR 480 VAC  
10A 125 VAC "L"  
1HP 125 VAC, 2HP 250 VAC  
1/2A 125 VDC, 1/4A 250 VDC  
L288  
L299  
L308  
20(3)A 250V ~ T85 5E4



SCALE FULL

DO NOT SCALE PRINT

UNLESS OTHERWISE SPECIFIED  
DIMENSIONS ARE IN INCHES  
TOLERANCES ARE:  
ONE PLACE (.0) ±.030  
TWO PLACE (.00) ±.015  
THREE PLACE (.000) ±.005  
ANGLES ±

WEIGHT .050 LB

FORMTEK

DRAWN

R G D 26 FEB 59 CHECK GCH 3 MAR 59