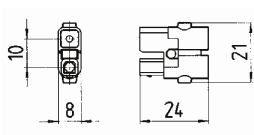

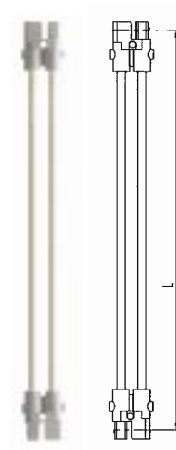
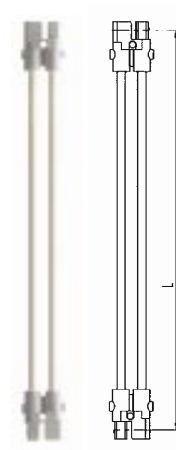
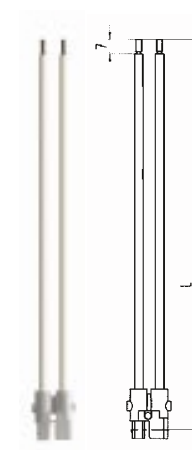
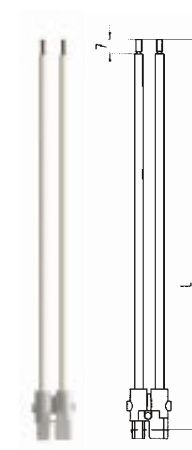
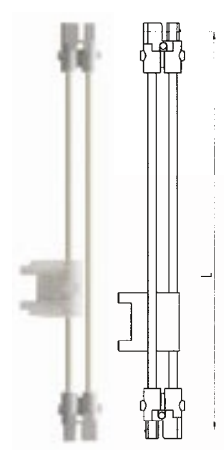
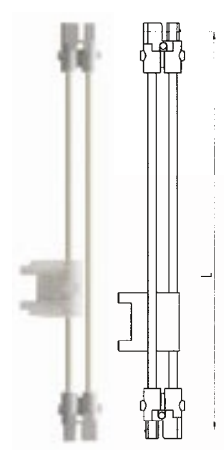


ST 16/2 pole MINI-compact for low-voltage halogen lamps, 48 V, 25 A

	Screw connection		Extension cable		Connection cable		Fused connection cable	
	For 0.5 – 2.5 mm ² cables, without strain relief, with latching device		2 x 2.5 mm ² with connectors on both ends, with latching device		2 x 2.5 mm ² with one connector and free end, with ferrules and latching device		2 x 2.5 mm ² with fuse holder with connectors on both ends, with latching device	
Length m	Part No.	Std. Pack	Part No.	Std. Pack	Part No.	Std. Pack	Part No.	Std. Pack
	  93.016.0053.0 100		 		 		 	
0.35			94.623.0031.2	250	94.623.0032.2	250	94.603.0031.2	250
0.6			94.623.0631.2	200	94.623.0632.2	200	94.603.0631.2	200
1.2			94.623.1231.2	100	94.623.1232.2	100	94.603.1231.2	100
1.8			94.623.1831.2	75	94.623.1832.2	75	94.603.1831.2	75
2.4			94.623.2431.2	50	94.623.2432.2	50	94.603.2431.2	50
Type	ST 16/2 BS		ST 16/2 BSK1BS		ST 16/2 BSK1-		ST 16/2 BSK1SiBS	
	Part No.	Std. Pack	Rated voltage	Power range	Power current			

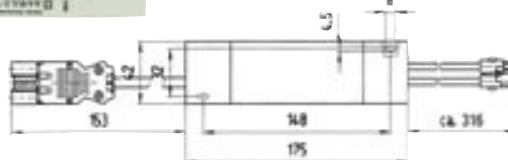
Electronic transformer

Ambient temperature (t_a) max. 50 °C for maximum load
Secondary cable max. 2 m, min. 1.5 mm²

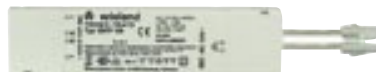
Can be plugged into **gesis** GST 18i 3 pole on primary side
 99.448.9999.9 1 230V AC 50/60 Hz 35-105 W 0,45 A



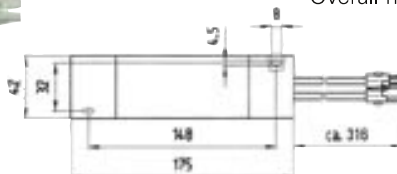
Overall height 18 mm



Can be clamped on primary side with screw connection (N, N, L, L)
 99.450.9999.9 1 230V AC 50/60 Hz 35-105 W 0,45 A



Overall height 18 mm



¹ 2.5 mm²: only with Wieland ferrules (see connection cable)

² Flat cable fuse: type C according to DIN 72581 Part 3
 Maximum leakage loss of flat cable fuse = 2.5 W, for Wieland fuses max. I_N = 15 A should be ordered separately