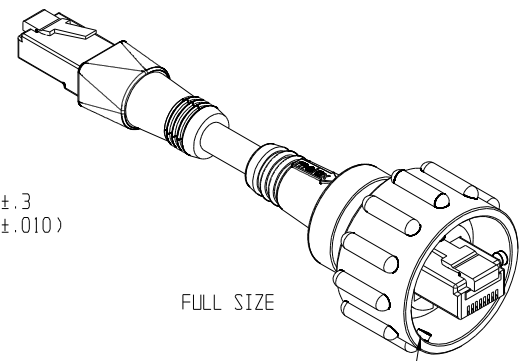


PART NO.	LENGTH
847022001	.30M +6.35 -0.0mm (1'0" +1/4"-0")
847022003	.91M +19.05 -0.0mm (3'0" +3/4"-0")
847022006	1.83M +38.1 -0.0mm (6'0" +1 1/2"-0")
847022009	2.74M +63.5 -0.0mm (9'0" +2 1/2"-0")
847022012	3.66M +76.2 -0.0mm (12'0" +3"-0")
847022020	6.10M +127 -0.0mm (20'0" +5"-0")

PART NO.	LENGTH
847022007	2.13M +44.4 -0.0mm (7'0" +1 3/4"-0")
847022010	3.0M +63.5 -0.0mm (10'0" +2 1/2"-0")
847022015	4.57M +95.2 -0.0mm (15'0" +3 3/4"-0")
847022021	6.40M +133.35 -0.0mm (21'0" +5 1/4"-0")
847022030	9.14M +152.4 -0.0mm (30'0" +6"-0")

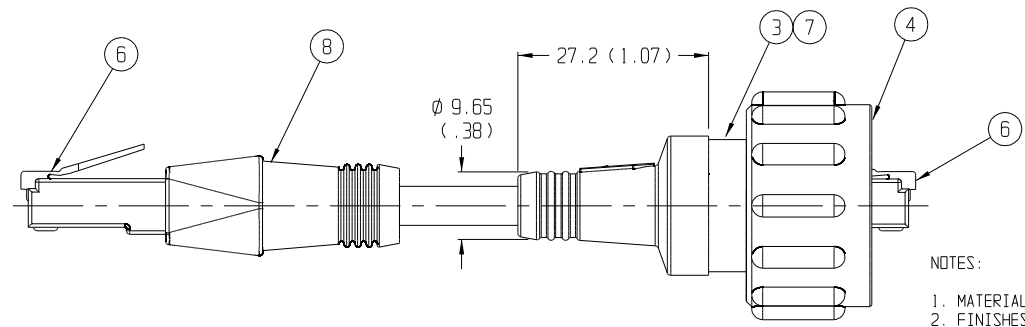
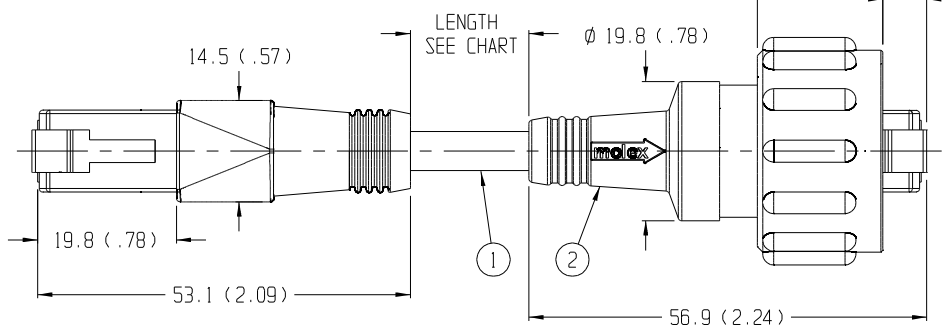
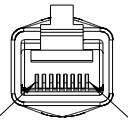


FULL SIZE

BAYONET LOCK

1	WHT ORG	1
2	ORG	2
3	WHT GRN	3
4	BLU	4
5	WHT BLU	5
6	GRN	6
7	WHT BRN	7
8	BRN	8

WIRING DIAGRAM
POLARIZATION & SEQUENCE EIA 568B



- NOTES:
1. MATERIAL: SEE TABLE
 2. FINISHES: SEE TABLE
 3. PRODUCT SPECIFICATION: SEE SPECIFICATION
 4. PACKAGING: AS REQUIRED
 5. MATES WITH: I. E. RJ-45 BAYONET STYLE JACK & STD RJ-45 JACK.

ITEM	QTY.	DESCRIPTION	MATERIAL	FINISH
8	1	OVERMOLD, STRT, RJ-45 PLUG	PVC	BLACK
7	2	WEDGE	POLYESTER	BLACK
6	2	PLUG RJ-45, SHIELDED	-	-
5	2	GASKET SEAL	NITRILE	BLACK
4	2	COUPLING RING	POLYESTER	BLACK
3	2	HOLDER	POLYESTER	BLACK
2	2	OVER MOLDED BODY	PVC	BLACK
1	1	CABLE UTP	-	GRAY

06-22-04	EC NO. 11564	DRWN: S. GILBERT	CHK: K.	APPR:	DESCRIPTION
REV	MAJOR	CRITICAL	SPC	S	

GENERAL TOLERANCES: (UNLESS SPECIFIED)	
	mm
4 PLACES	±.0015
3 PLACES	±.005
2 PLACES	±.13
1 PLACE	±.3
ANGULAR: ±2°	

SCALE 1.5:1	DESIGN UNITS
mm	<input type="checkbox"/> mm <input checked="" type="checkbox"/> INCH
DRAWN BY & DATE	S. GILBERT 8-18-03
CHECKED BY & DATE	P. WALTZ 8-18-03
APPROVED BY & DATE	G. ROBERTSON 8-18-03
CAD FILENAME	SD-84702-002

THIRD ANGLE PROJECTION		PROJECT NO. PDR 04-26	-	-
DIMENSIONS:		mm	INCH	mm ONLY
TITLE:		PLUG RJ-45 BAYONET STYLE TO PLUG RJ-45, DOUBLE ENDED CORD, CIC INDUSTRIAL ETHERNET		
MOLEX INCORPORATED		MATERIAL NO.	DRAWING NO.	SHEET NO.
		SEE CHART	SD-84702-002	1 OF 1
THIS DRAWING CONTAINS INFORMATION THAT IS PROPRIETARY TO MOLEX INCORPORATED AND SHOULD NOT BE USED WITHOUT WRITTEN PERMISSION.				SIZE B