

MICRO SWITCH

FREEPORT, ILLINOIS, U.S.A.
A DIVISION OF HONEYWELL INC.
FED. MFG. CODE 91929

PACKET

CATALOG LISTING
6PA204-EX

THIS DRAWING COVERS A PROPRIETARY ITEM AND IS THE PROPERTY OF MICRO SWITCH. A DIVISION OF HONEYWELL. THIS DRAWING IS NOT TO BE COPIED OR USED WITHOUT THE APPROVAL OF MICRO SWITCH.

6PA204-EX

M

DRAWING
NUMBER

ISSUE

RELEASE NO. PR-17832 REPLACES

CHECK

CHECK

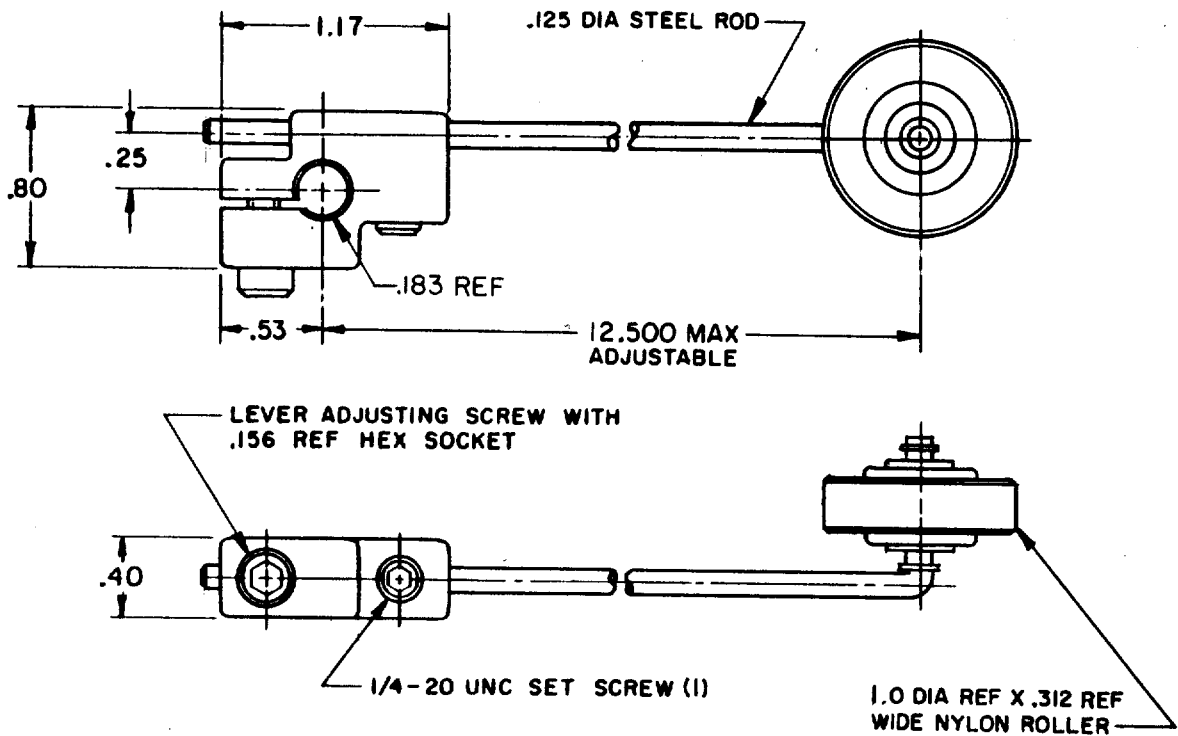
1 DEC 89

CHECK

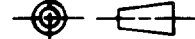
T S M 20 NOV 89

DRAWN

FO-52850-C01



THIRD ANGLE PROJECTION



SCALE FULL

DO NOT SCALE PRINT

UNLESS OTHERWISE SPECIFIED
TOLERANCES ARE

ONE PLACE (.0) ± .030

TWO PLACE (.00) ± .015

THREE PLACE (.000) ± .005

ANGLES ±

RAW MATERIAL - COMMERCIAL STANDARD