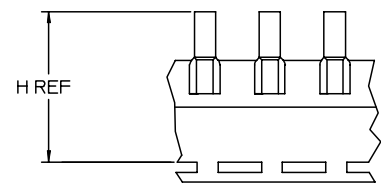
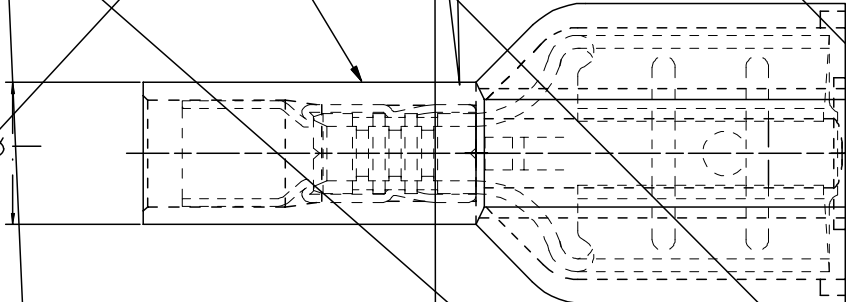
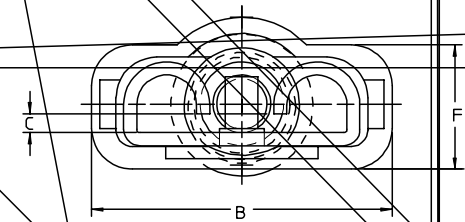
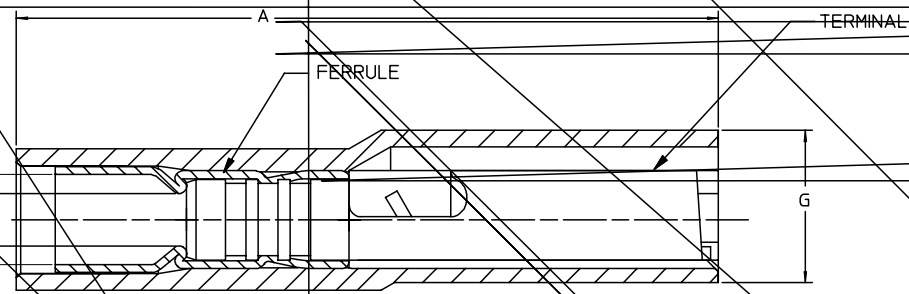


LOOSE PCS	LOOSE PCS	NUMBER	MATERIAL NUMBER ON TAPE BIG REEL	ENGINEERING NUMBER ON TAPE BIG REEL	CURL HEIGHT "C" REF	ACCEPTS TAB SIZE	STOCK THK	"A" MAX	"B" MAX	"F" REF	"G" MAX	"H" REF	
190020001	AA-5261	190020002	AA-5261T	190020047	AA-5261BT	.028/0.71	.250 X .032	.016/0.41	.89/22.6	.38/9.7	.16/4.1	1.380/35.10	
190020019	AA-5283	190020020	AA-5283T			.017/0.43	.205 X .020	.016/0.41	.80/20.3	.32/8.1	.16/4.1	1.395/35.43	
190020021	AA-5285	190020022	AA-5285T			.028/0.71	.205 X .032	.016/0.41	.80/20.3	.32/8.1	.16/4.1	1.380/35.10	
190020005	AA-5267	AA-5267Z	190020007	AA-5267T	190020006	AA-5267BT	.017/0.43	.187 X .020	.016/0.41	.80/20.3	.32/8.1	.16/4.1	1.380/35.10
190020009	AA-5271	AA-5271Z	190020010	AA-5271T			.028/0.71	.187 X .032	.016/0.41	.80/20.3	.32/8.1	.16/4.1	1.380/35.10
190020013	AA-5275	AA-5275Z	190020014	AA-5275T			.016/0.41	.110 X .020	.012/0.31	.80/20.3	.23/5.8	.13/3.3	1.380/35.05
190020016	AA-5279	AA-5279Z	190020017	AA-5279T			.026/0.71	.110 X .032	.012/0.31	.80/20.3	.23/5.8	.13/3.3	1.380/35.05

INSULATION



PARTS ON TAPE



SALES DRAWING

NOTES:

2. MWD = MAXIMUM WIRE INSULATION DIAMETER

COLOR RED.

WASFEMAVKCD EC NO: ETC2005-0172 DRAWN BY: BENDERLE CHKDR: DEROSS APPR: DEROSS DATE: 2005/04/25 DATE: 2005/04/26 DATE: 2005/04/26	QUALITY SYMBOLS	GENERAL TOLERANCES (UNLESS SPECIFIED)	DIMENSION STYLE	SCALE	DESIGN UNITS	THIRD ANGLE PROJECTION															
	$\nabla=0$ $\nabla=0$	<table border="1"> <tr> <th>PLACES</th> <th>mm</th> <th>INCH</th> </tr> <tr> <td>4 PLACES</td> <td>± .13</td> <td>± .005</td> </tr> <tr> <td>3 PLACES</td> <td>± .13</td> <td>± .005</td> </tr> <tr> <td>2 PLACES</td> <td>± 0.13</td> <td>± .01</td> </tr> <tr> <td>1 PLACE</td> <td>± 0.25</td> <td>± .01</td> </tr> </table>	PLACES	mm	INCH	4 PLACES	± .13	± .005	3 PLACES	± .13	± .005	2 PLACES	± 0.13	± .01	1 PLACE	± 0.25	± .01	IN/MM	4:1	INCH	
	PLACES	mm	INCH																		
	4 PLACES	± .13	± .005																		
3 PLACES	± .13	± .005																			
2 PLACES	± 0.13	± .01																			
1 PLACE	± 0.25	± .01																			
DESCRIPTION	DRAWN BY: BENDERLE CHECKED BY: DEROSS APPROVED BY: DEROSS	DATE: 2005/03/28 DATE: 2005/03/28 DATE: 2005/03/28	TITLE: AVIKRIMP FEMALE FIQD 22-18 AWG	MATERIAL NO.	DOCUMENT NO.	SHEET NO.															
	DRAFT WHERE APPLICABLE MUST REMAIN WITHIN DIMENSIONS	SEE CHART		MOLEX INCORPORATED	SD-19002-003	1 OF 1															