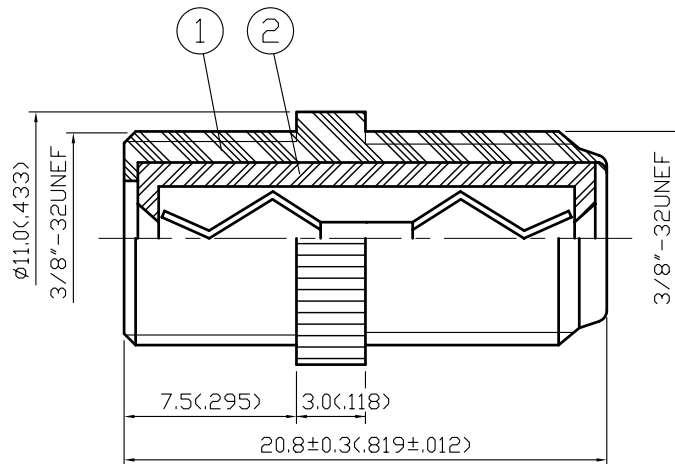


NO	DESCRIPTION	DATE
①	ACCESSORIES REMOVED	03.03.04



NOTES: UNLESS OTHERWISE SPECIFIED

1. BODIES: BRASS PER JIS-C3604
2. CENTER CONTACT: BRASS PER JIS-C3604
3. PART TO BE CLEAN AND FREE OF BURRS

NO	DESCRIPTION	MATERIAL	Q'TY	FINISH
2	BOBBIN	PP+BRASS	1	TIN
1	BODY	BRASS	1	NICKEL

製圖	DRAWN	TOLERANCE		品名	DATE	版次	REV.
		.X	± 0.2	18-20-11<PP.T.N> (<75Ω>)			
檢圖	CHECK	.XX	± 0.1	單位	DWG.NO. 18-0126		
				mm(in)			
認定	APPROVAL	.XXX	± 0.05	比例	佳楠精密電子股份有限公司		
			ANGLE $\pm 5^\circ$	SCALE 4:1	CHIN NAN PRECISION ELECTRONICS CO.,LTD.		