

5

4

3

2

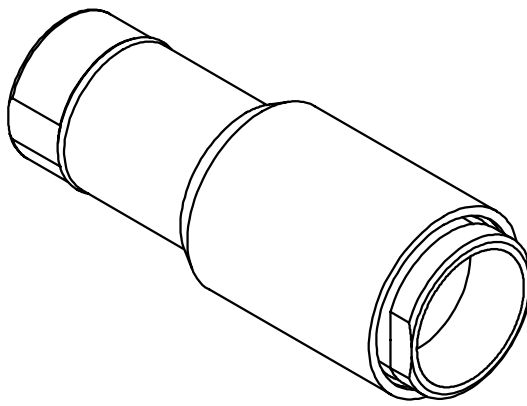
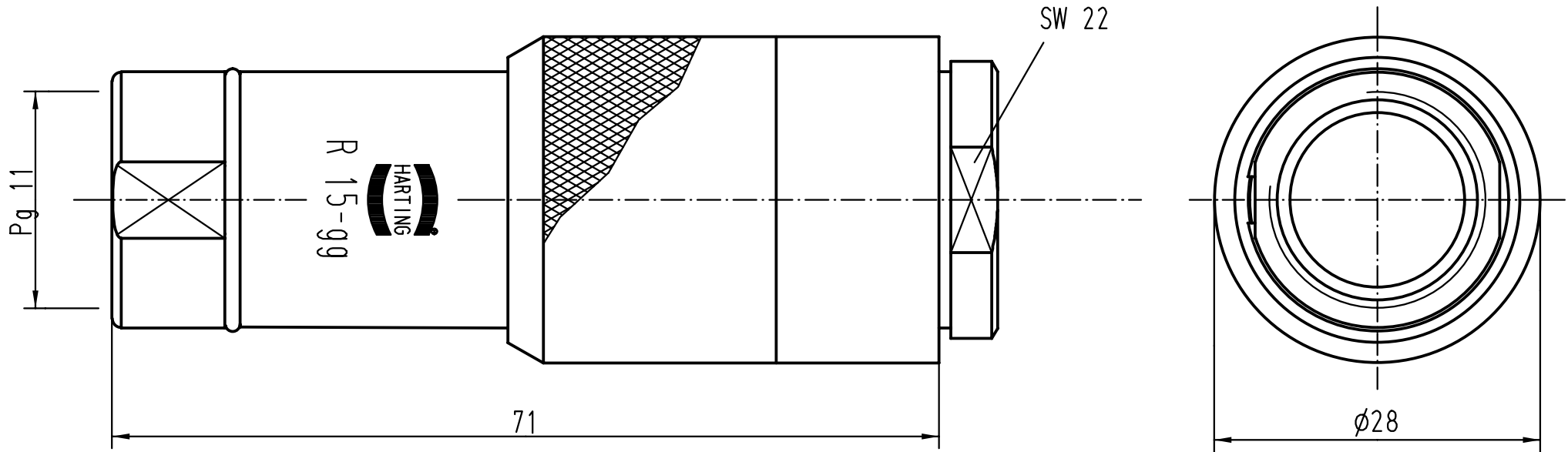
1

D

C

B

A



All Dimensions in mm Original Size DIN A 4			Techn. Character.			Nicht tolerierte Masse! Free size tolerances																			
				<table border="1"> <tr> <td></td> <td>Dat.</td> <td>Name</td> </tr> <tr> <td>Detail.</td> <td>24.02.93</td> <td>PENNER</td> </tr> <tr> <td>Insp.</td> <td></td> <td>HERB</td> </tr> <tr> <td>Stand.</td> <td></td> <td></td> </tr> </table>		Dat.	Name	Detail.	24.02.93	PENNER	Insp.		HERB	Stand.			<table border="1"> <tr> <td colspan="2">Massstab/Scale</td> </tr> <tr> <td colspan="2">2:1</td> </tr> </table>		Massstab/Scale		2:1		R15-gg-A1 Steckgehäuse/ hoods		
	Dat.	Name																							
Detail.	24.02.93	PENNER																							
Insp.		HERB																							
Stand.																									
Massstab/Scale																									
2:1																									
25592	22.03.99	PL	TB 09 15 000 0421																						
Mod.	Dat.	Name	HARTING KGaA D-32339 ESPELKAMP					Sub. TB 09 15 000 0421 v. 25.02.87	Blatt/ page 																