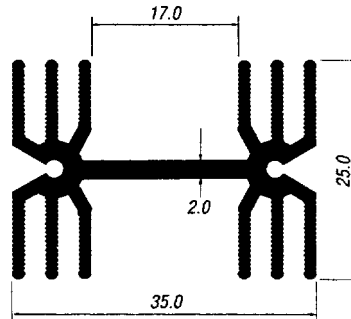
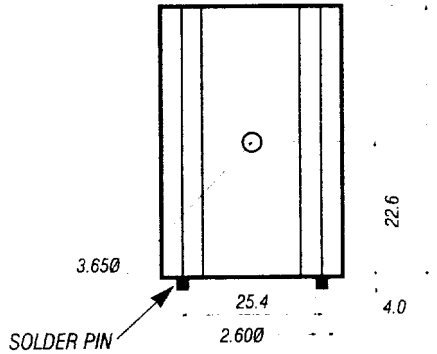
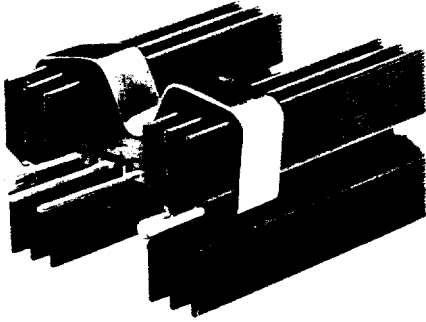


# BOARD MOUNTING SERIES

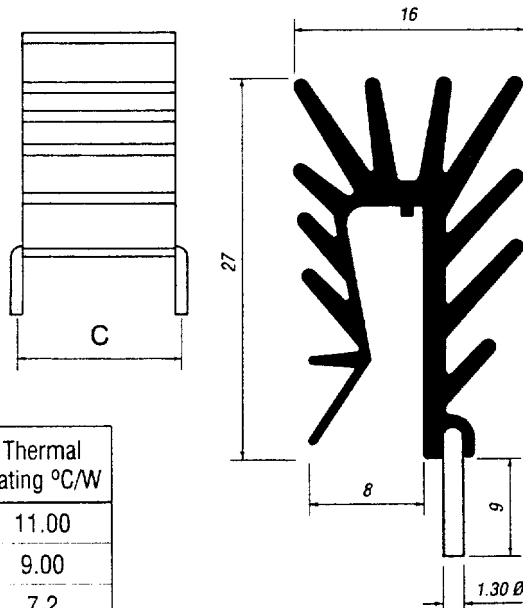
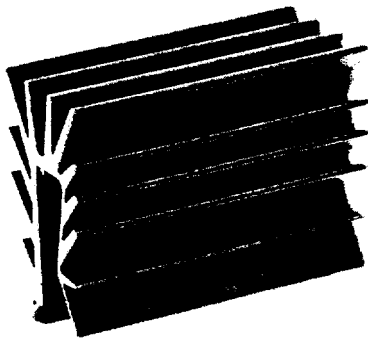
PPB (T0220, T03P, etc) ( DEVICE CLIPS AVAILABLE WITH THIS HEATSINK - CLIP 03 )



Length mm L	Part Number	Holes	Thermal Rating °C/W
38	PPB38P	NO	7.00
38	PPB38PH	YES	7.00
50	PPB50P	NO	5.5
50	PPB50PH	YES	5.5
63	PPB63P	NO	4.5
63	PPB63PH	YES	4.5

523-392

PPC (CLIP ON HEATSINK T0220, T03P, etc)



Length mm L	Part Number Without Pins	Part Number With Pins	Pin Centres 'C'	Thermal Rating °C/W
20	PPC20	PPC20P	21	11.00
35	PPC35	PPC35P	36	9.00
50	PPC50	PPC50P	36	7.2

CLIP ON HEATSINK SUITABLE FOR T0220, T03P PLASTIC PACKAGES AVAILABLE WITH OR WITHOUT SOLDERABLE PINS.