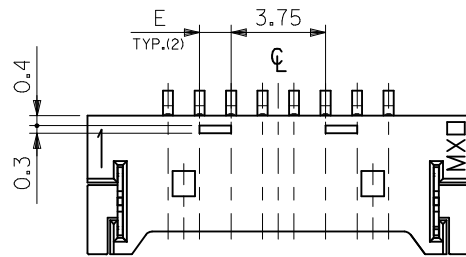
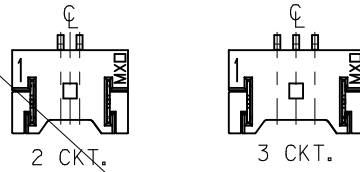


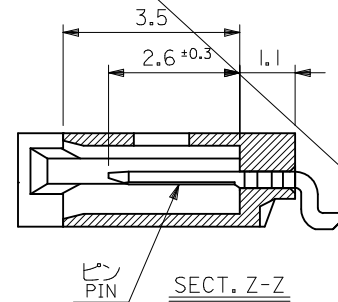
7~19極の奇数極に適用  
 APPLY FOR ODD CIRCUITS OF 7~19



8~30極の偶数極に適用  
 APPLY FOR EVEN CIRCUITS OF 8~30



ロック形状図  
 LOCK CONFIGURATION



MODEL NO. | 53780-\*\*19  
 ◎ THIRD ANGLE  
 PROJECT

REVISED

SEE CHART

F

E

D

C

B

A

F

E

D

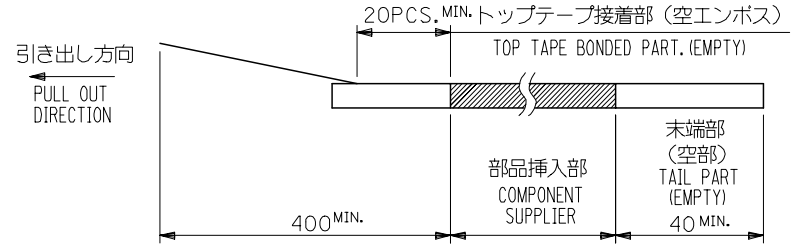
C

B

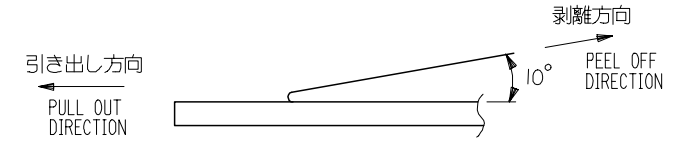
A

NOTES

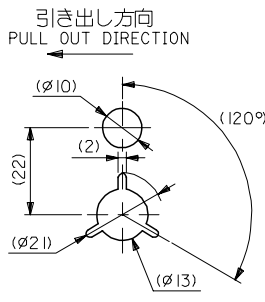
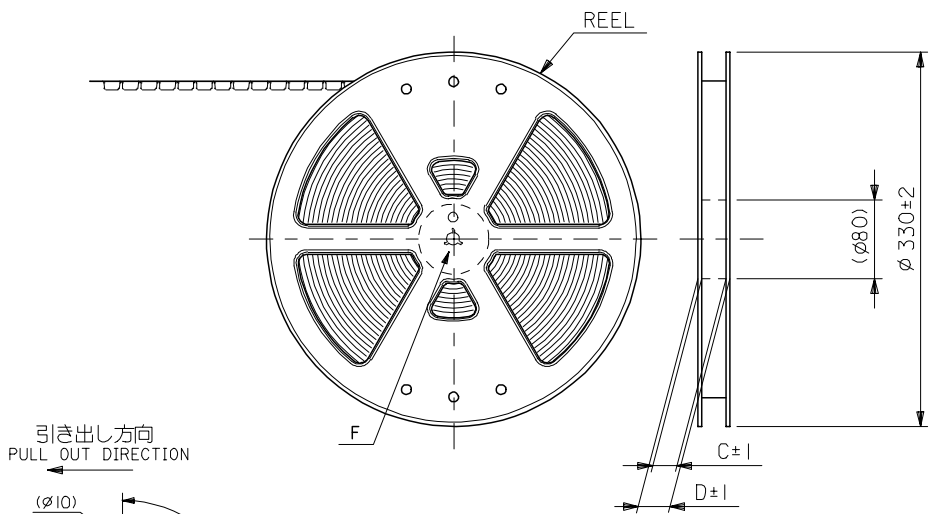
1. 梱包数量：1500個/リール  
NUMBER OF CONNECTORS : 1500PCS/REEL
2. リードテープ長さ LEAD TAPE LENGTH



3. トップテープの剥離強度： 0.1N ~ 1.3N (10gf ~ 130gf)  
(剥離方向は下図参照)  
尚、本規格値は出荷時に適用。(但し、輸送時に剥離が発生しないこと。)  
PEELING OFF FORCE OF TOP TAPE : 0.1N ~ 1.3N (10gf ~ 130gf)  
(PEELING OFF DIRECTION AS SHOWN IN FOLLOWING FIG.)  
THIS REQUIREMENT SHOULD BE APPLIED AT SHIPMENT.  
PEEL OFF SHOULD NOT BE ALLOWED , DURING TRANSPORTATION.



4. 材料 (MATERIAL)  
キャリアテープ (CARRIER TAPE) : ポリプロピレン (POLYPROPYLENE)  
トップテープ (TOP TAPE) : PET , PE , PEF  
リール (REEL) : ポリスチレン (PS) <リサイクル材を含む>  
POLYSTYRENE (PS) <RECYCLE MATERIAL CONTAINED>
5. 本製品は 53780- \*\*90/- \*\*80 の鉛フリー品である。  
THIS PRODUCT IS LEAD FREE OF 53780- \*\*90/- \*\*80.



DETAIL F

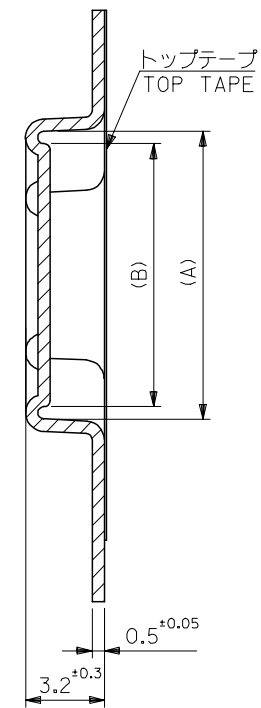
MODEL NO. 53780- \*\*70

REVISED EC NO: J2006-1562 DRW: MNABE 2005/11/16 CHK: KYOYODA 2005/11/17 APP: NUKITA 2005/11/21	GENERAL TOLERANCES (UNLESS SPECIFIED)		DIMENSION STYLE MM ONLY		SCALE ---	DESIGN UNITS METRIC	THIRD ANGLE PROJECTION	
	10 UNDER	± 0.2	DRAWN BY T. UENO	DATE '04/04/15	TITLE 1.25 W/B WAFER ASSY EMBOSSED TAPE PACKAGE -LEAD FREE-			
	10 OVER 30 UNDER	± 0.25	CHECKED BY M. SASAO	DATE '04/04/15	MOLEX INCORPORATED			
	30 OVER	± 0.3	APPROVED BY M. SASAO	DATE '04/04/15	MATERIAL NO. SEE CHART		DOCUMENT NO. SD-53780-004	SHEET NO. 1 OF 4
	ANGULAR	± 3 °	DRAFT WHERE APPLICABLE MUST REMAIN WITHIN DIMENSIONS		THIS DRAWING CONTAINS INFORMATION THAT IS PROPRIETARY TO MOLEX INCORPORATED AND SHOULD NOT BE USED WITHOUT WRITTEN PERMISSION			

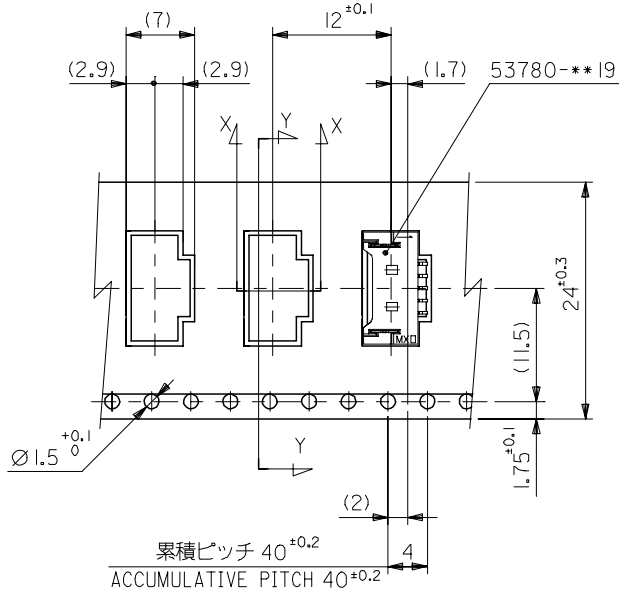
10 9 8 7 6 5 4 3 2 1

F  
E  
D  
C  
B  
A

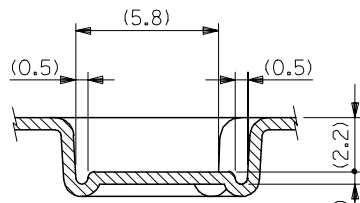
F  
E  
D  
C  
B  
A



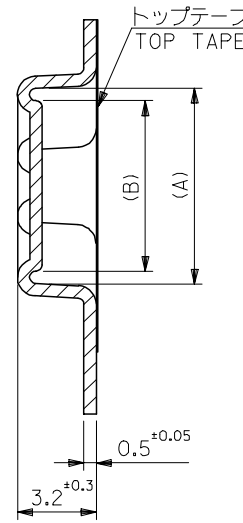
SECT:Y-Y  
(SCALE 5:1)



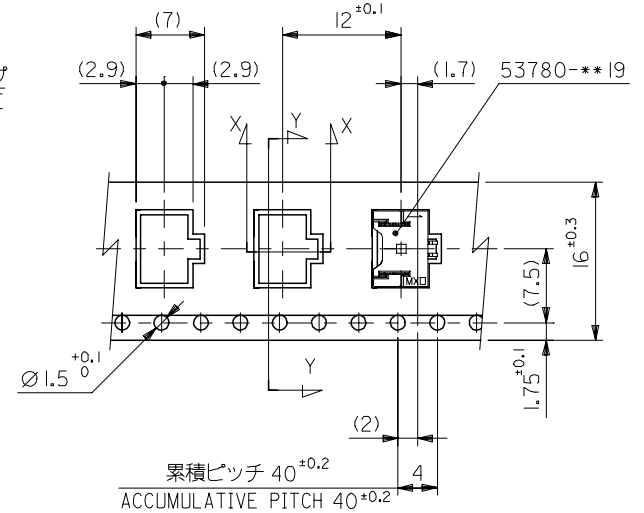
引き出し方向  
PULL OUT DIRECTION



SECT:X-X  
(SCALE 5:1)



SECT:Y-Y  
(SCALE 5:1)



引き出し方向  
PULL OUT DIRECTION

24	29.4	25.4	11.75	16.7	53780-0970	9
			10.5	15.45	53780-0870	8
			9.25	14.2	53780-0770	7
			8	12.95	53780-0670	6
			6.75	11.7	53780-0570	5
16	21.4	17.4	5.5	10.45	53780-0470	4
			4.25	9.2	53780-0370	3
			3	7.95	53780-0270	2
キャリアテープ幅 CARRIER TAPE WIDTH			D	C	(B)	(A)
			MODEL NO. DESIGN UNITS		53780-***70	極数 CKT.
			SCALE		2:1	THIRD ANGLE PROJECTION

REVISED EC NO: J2006-1562 DRWN: NABEI 2005/11/16 CHKD: TOYODA 2005/11/17 APPR: NUKITA 2005/11/21	GENERAL TOLERANCES (UNLESS SPECIFIED)		DIMENSION STYLE MM ONLY		SCALE 2:1	MODEL NO. DESIGN UNITS METRIC	THIRD ANGLE PROJECTION
	10 UNDER	± 0.2	DRAWN BY T. UENO	DATE '04/04/15			
	10 OVER 30 UNDER	± 0.25	CHECKED BY M. SASAO	DATE '04/04/15			
	30 OVER	± 0.3	APPROVED BY M. SASAO	DATE '04/04/15			
	ANGULAR	± 3 °	MATERIAL NO.	DOCUMENT NO.			
DRAFT WHERE APPLICABLE MUST REMAIN WITHIN DIMENSIONS		SEE CHART		SD-53780-004	SHEET NO. 2 OF 4		
A	SIZE A3 THIS DRAWING CONTAINS INFORMATION THAT IS PROPRIETARY TO MOLEX INCORPORATED AND SHOULD NOT BE USED WITHOUT WRITTEN PERMISSION						

10 9 8 7 6 5 4 3 2 1

F

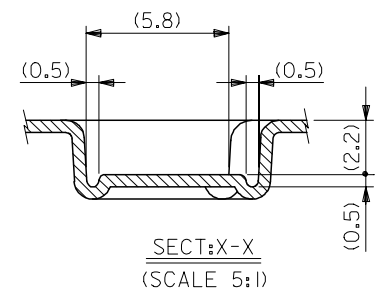
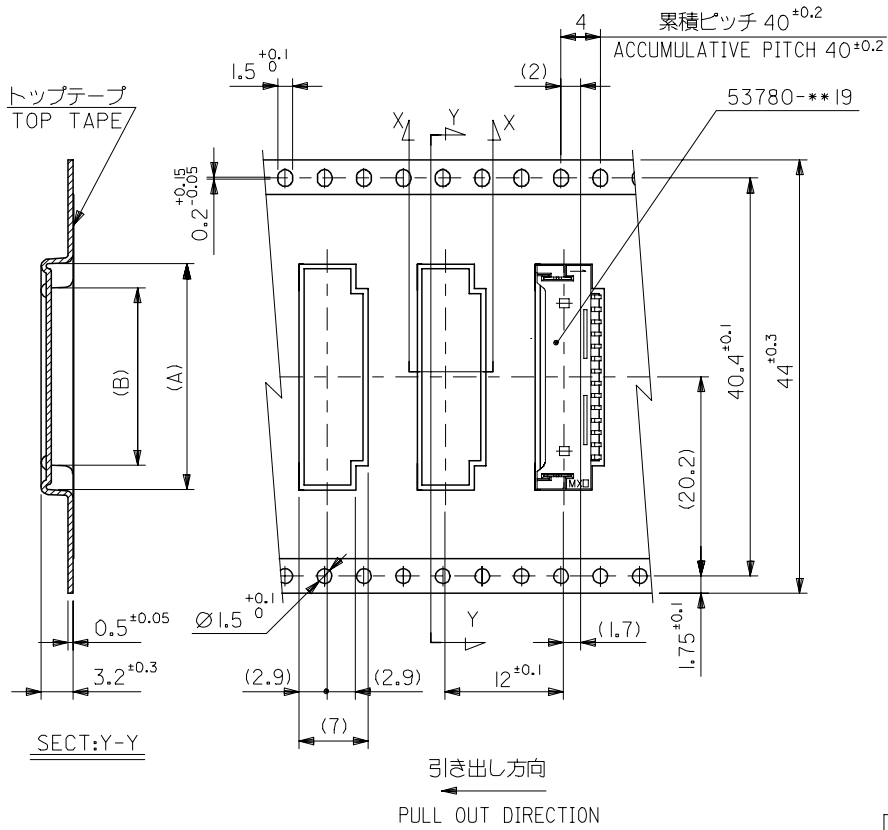
E

D

C

B

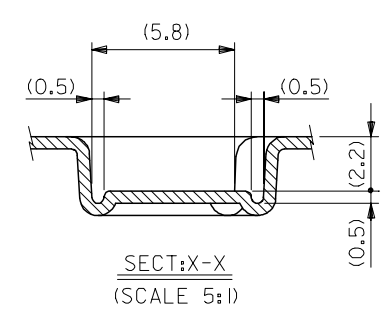
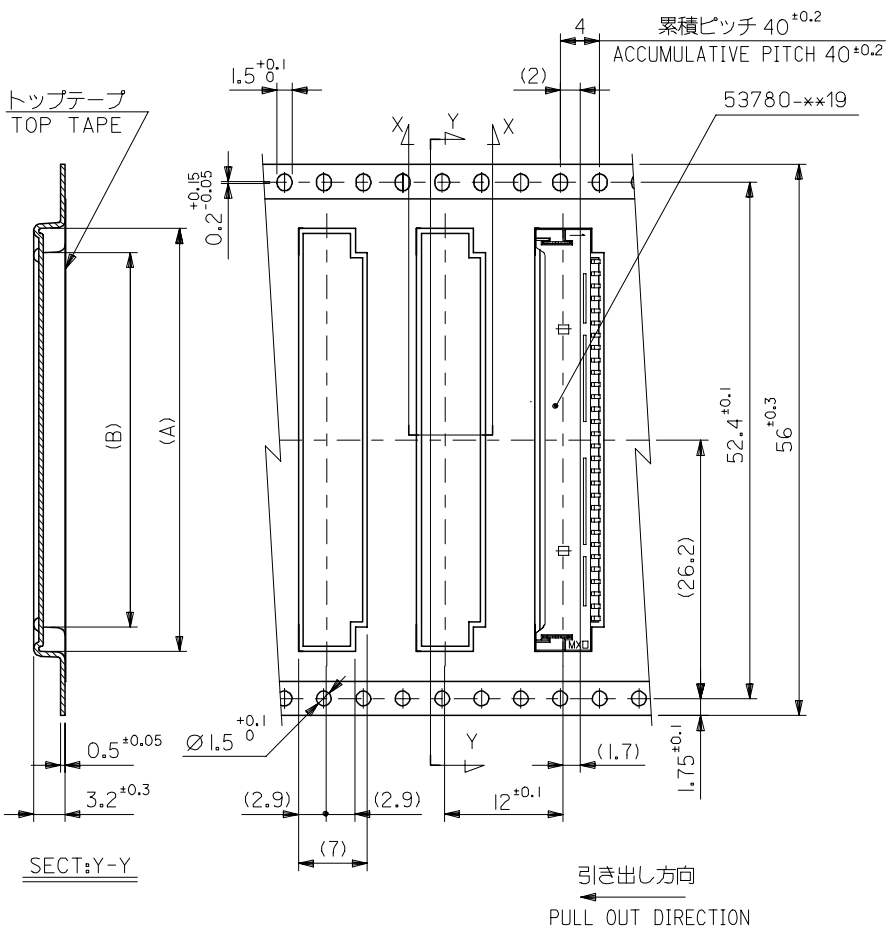
A



44	49.4	45.4	25.5	30.45	53780-2070	20	
			25.5	27.95	53780-1870	18	
			19.25	24.2	53780-1570	15	
			18	22.95	53780-1470	14	
			15.5	20.45	53780-1270	12	
キャリアテープ幅 CARRIER TAPE WIDTH			D	C	(A)	MODEL NO. DESIGN UNITS 53780-***70 METRIC	MATERIAL NO. 極数 CKT. 53780-***70

REVISED EC NO: J2006-1562 DRWN: NABEI 2005/11/16 CHKDK: TOYODA 2005/11/17 APPR: NUKITA 2005/11/21	DESCRIPTION	GENERAL TOLERANCES (UNLESS SPECIFIED)		DIMENSION STYLE MM ONLY		SCALE ---	THIRD ANGLE PROJECTION	
		10 UNDER	± 0.2	DRAWN BY T. UENO	DATE '04/04/15	TITLE 1.25 W/B WAFER ASSY EMBOSSSED TAPE PACKAGE -LEAD FREE-		
		10 OVER 30 UNDER	± 0.25	CHECKED BY M. SASAO	DATE '04/04/15			
		30 OVER	± 0.3	APPROVED BY M. SASAO	DATE '04/04/15			
		ANGULAR	± 3 °	MATERIAL NO.		DOCUMENT NO.		SHEET NO.
DRAFT WHERE APPLICABLE MUST REMAIN WITHIN DIMENSIONS		SEE CHART		SD-53780-004		3 OF 4		
SIZE A3 THIS DRAWING CONTAINS INFORMATION THAT IS PROPRIETARY TO MOLEX INCORPORATED AND SHOULD NOT BE USED WITHOUT WRITTEN PERMISSION								

10 9 8 7 6 5 4 3 2 1



F  
E  
D  
C  
B  
A

F  
E  
D  
C  
B  
A

REVISED	EC NO: J2006-1562	DRWN: NABEI	CHKD: KTOYODA	APPR: NUKITA	DATE: 2005/11/16	DATE: 2005/11/17	DATE: 2005/11/21	DESCRIPTION	GENERAL TOLERANCES (UNLESS SPECIFIED)	56	57.5	38.0	42.95	53780-3070	30
A	DRAWN BY: T. UENO				CHECKED BY: M. SASAO		APPROVED BY: M. SASAO		10 UNDER ±0.2	DIMENSION STYLE: MM ONLY		SCALE: ---	DESIGN UNITS: METRIC	THIRD ANGLE PROJECTION	
	DATE: '04/04/15				DATE: '04/04/15		DATE: '04/04/15		10 OVER 30 UNDER ±0.25	TITLE: 1.25 W/B WAFER ASSY EMBOSSED TAPE PACKAGE -LEAD FREE-		MATERIAL NO. 53780-3070			
	DATE: '04/04/15				DATE: '04/04/15		DATE: '04/04/15		30 OVER ±0.3	MATERIAL NO. SEE CHART		DOCUMENT NO. SD-53780-004		SHEET NO. 4 OF 4	
	DATE: '04/04/15				DATE: '04/04/15		DATE: '04/04/15		ANGULAR ±3 °	MATERIAL NO. SEE CHART		DOCUMENT NO. SD-53780-004		SHEET NO. 4 OF 4	
	DATE: '04/04/15				DATE: '04/04/15		DATE: '04/04/15		DRAFT WHERE APPLICABLE MUST REMAIN WITHIN DIMENSIONS	MATERIAL NO. SEE CHART		DOCUMENT NO. SD-53780-004		SHEET NO. 4 OF 4	
	DATE: '04/04/15				DATE: '04/04/15		DATE: '04/04/15			MATERIAL NO. SEE CHART		DOCUMENT NO. SD-53780-004		SHEET NO. 4 OF 4	

9 8 7 6 5 4 3 2