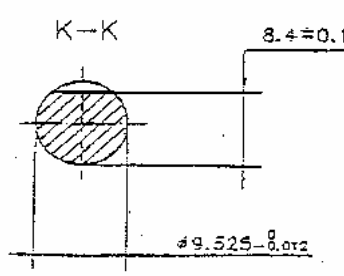
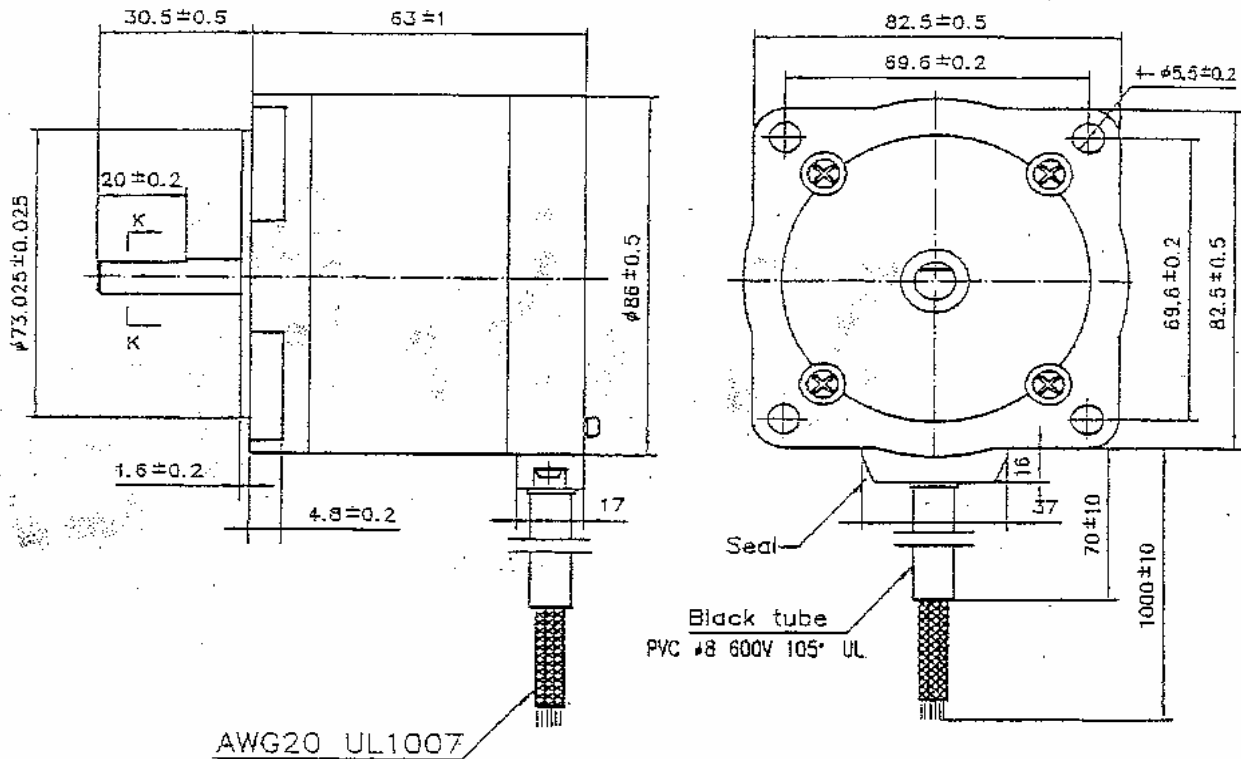


HYBRID STEPPING MOTOR TYPE

Y281

Performance & Specifications				Wiring Diagram	
Step Angle	1.8° ±5%	Rated voltage	3.06 V		
Number of phase	4	Rated current	1.7 A		
Insulation resistance	100Mohm Min.(500V DC)	Resistance per phase	1.8 ohm±10%		
Insulation class	Class B	Inductance per phase	5.6 mH±20%		
Rotor inertia	560 g.cm ²	Holding torque(uni-polar)	1.16 Nm		
Mass	1.5 kg	Detent torque	60 mNm		
bi-polar Holding torque 1.50 Nm		series-connection and phase current 1.2 Amp parallel-connection and phase current 2.4 Amp			

Dimensions unit=mm



REV.	DESCRIPTION	DATE

2004年 2月 13日
 上海...有限公司

comment:

AS-34HY-ISL-000

STD. 张明 04.2.12 APPR. 吴永红 04.2.12 DWG. 张明 04.2.12 TECH. 张明 04.2.12