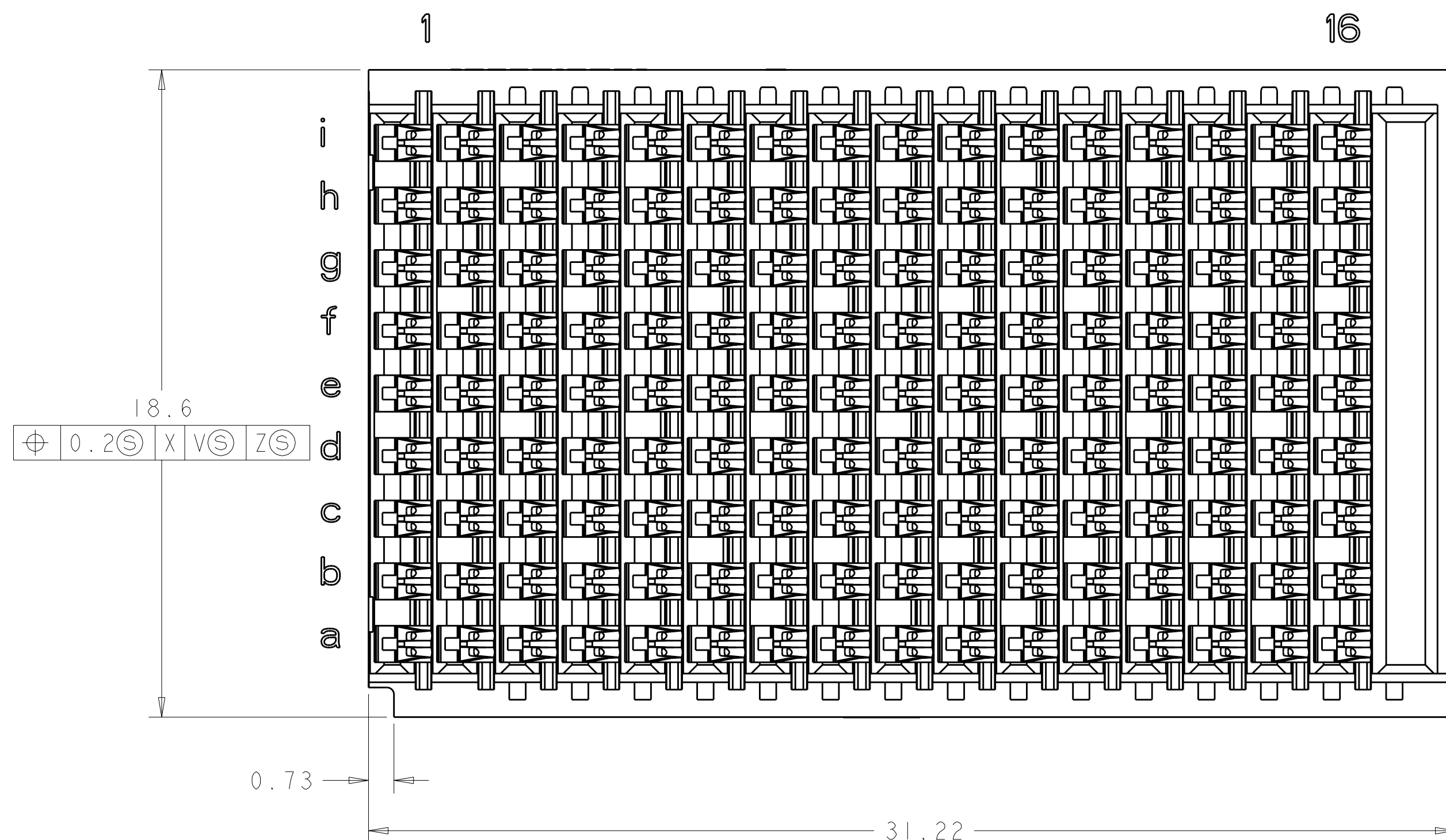
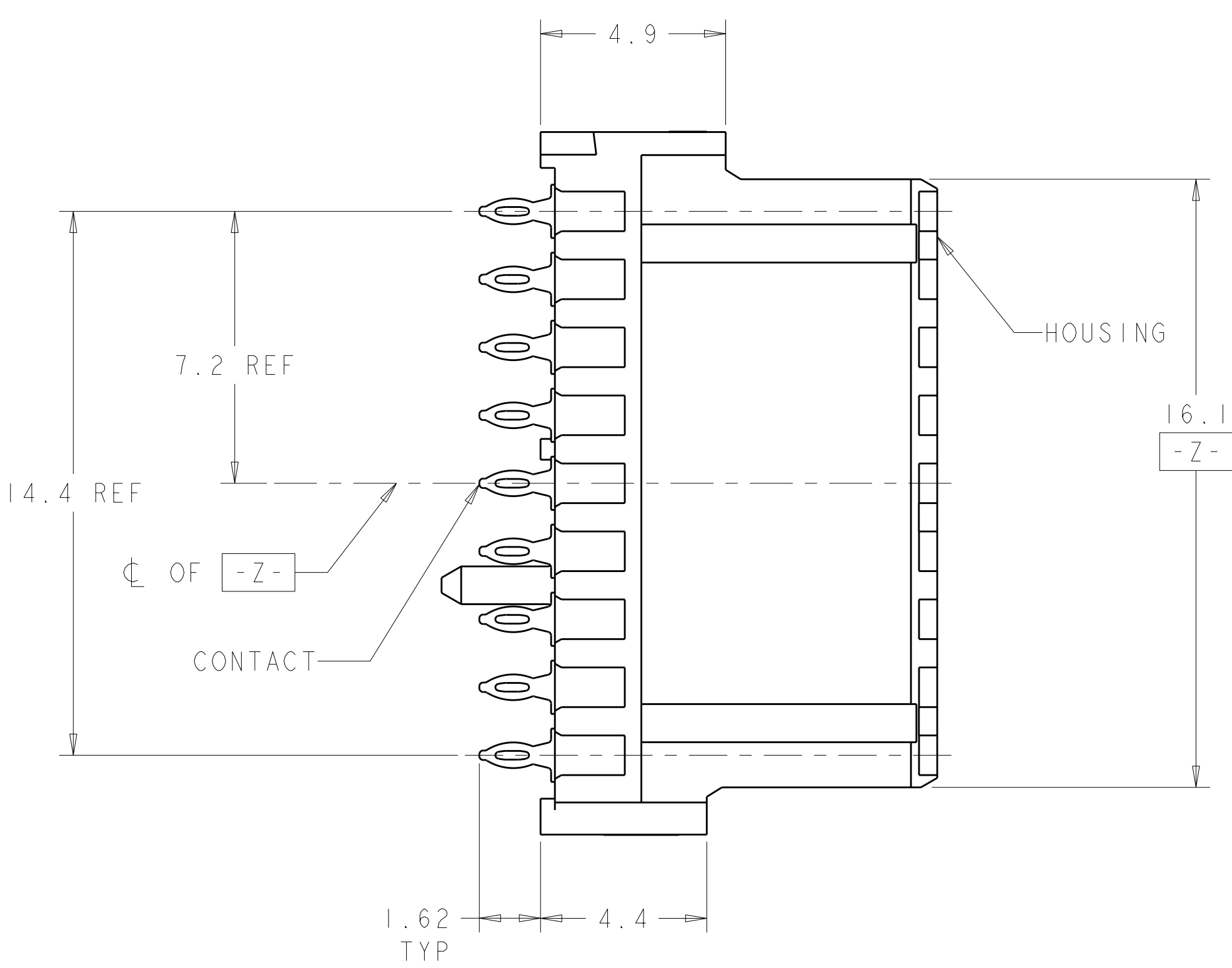
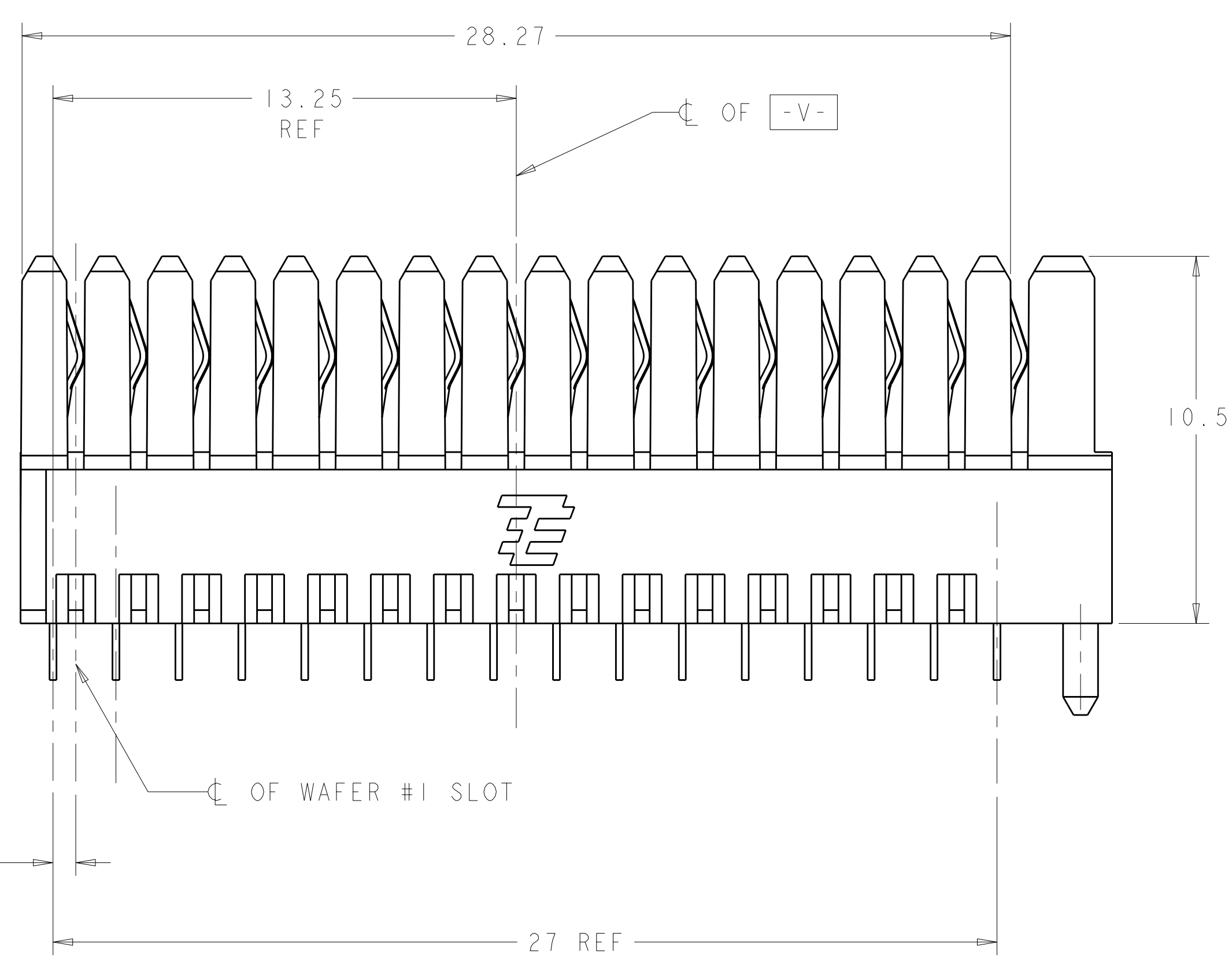
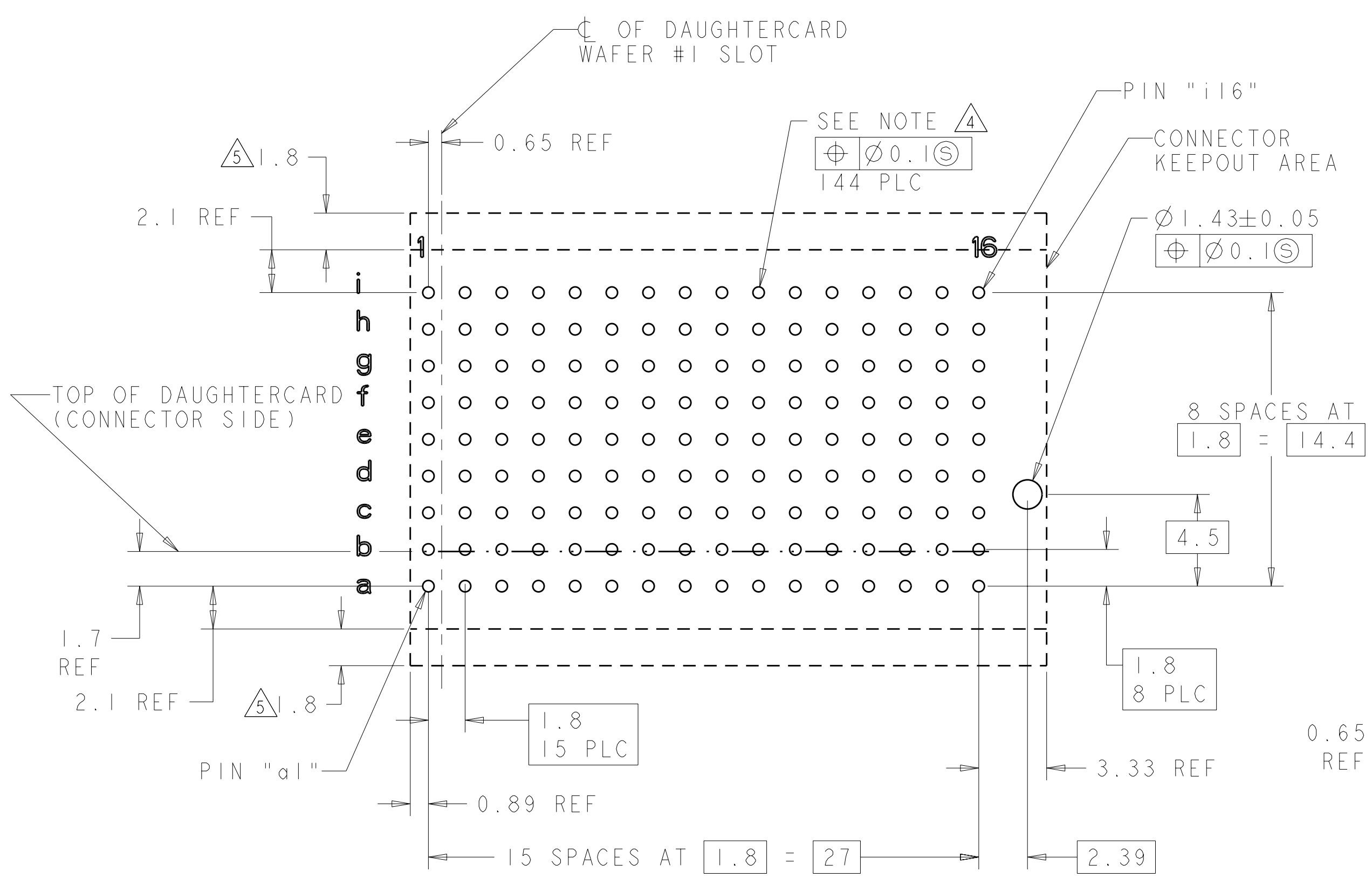


LOC	DIST	REVISIONS				
GP	00	REV	DESCRIPTION	DATE	DWN	APVD
		A	REV PER ECO-06-006525	29MAR2006	BC	GG
		B	REV PER ECO-08-023222	16SEP2006	RT	GG



- 1 HOUSING: LCP, UL94V0, COLOR: BLACK.  
CONTACT: PHOSPHOR BRONZE.
- 2 FINISH: 1.27µm GOLD IN CONTACT AREA 1.27µm MIN. TIN-LEAD ON PCB TAIL OVER 3.81µm MIN. NICKEL OVER ALL.
- 3 FINISH: 1.27µm GOLD IN CONTACT AREA 1.27µm MIN. TIN ON PCB TAIL OVER 3.81µm MIN. NICKEL OVER ALL.
- 4 MANUFACTURING TOLERANCE FOR:  
 $\varnothing 0.56 \pm 0.05$  FINISHED HOLE WITH Sn PB PLATING:  
 DRILLED HOLE =  $\varnothing 0.65 \pm 0.02$   
 COPPER PLATING = 0.025-0.050  
 Sn PB PLATING = 0.0038-0.0124  
 OR  
 $\varnothing 0.575 \pm 0.050$  FINISHED HOLE WITHOUT Sn PB PLATING:  
 DRILLED HOLE =  $\varnothing 0.65 \pm 0.02$   
 COPPER PLATING = 0.025-0.050
- 5 ADDITIONAL CONNECTOR-SIDE KEUPT AREA REQUIRED IF CONNECTOR-SIDE EXTRACTION TOOL IS TO BE USED.



1410142-2	1410142-1
PLATING	PART NO

DIMENSIONS: mm 		TOLERANCES UNLESS OTHERWISE SPECIFIED: 9 PLC ± 1 PLC ±0.5 2 PLC ±0.13 3 PLC ± 4 PLC ± ANGLES ±1°		DWN R.TREA 13NOV2002 CHK J.CONSOLO 18NOV2002 APVD 18NOV2002		<b>tyco</b> Tyco Electronics Harrisburg, PA 17105-3608	
MATERIAL:		FINISH: SEE TABLE		PRODUCT SPEC 108-2072 APPLICATION SPEC 114-13056		NAME: CONNECTOR ASSEMBLY, BACKPLANE VERTICAL RECEPTACLE, RIGHT END, 20.3mm, MultiGig RT 2	
WEIGHT: -		CUSTOMER DRAWING		SIZE: 114-13056 CAGE CODE: A1100779 DRAWING NO: C=1410142		RESTRICTED TO: - SCALE: 3:1 SHEET 1 OF 2 REV B	

