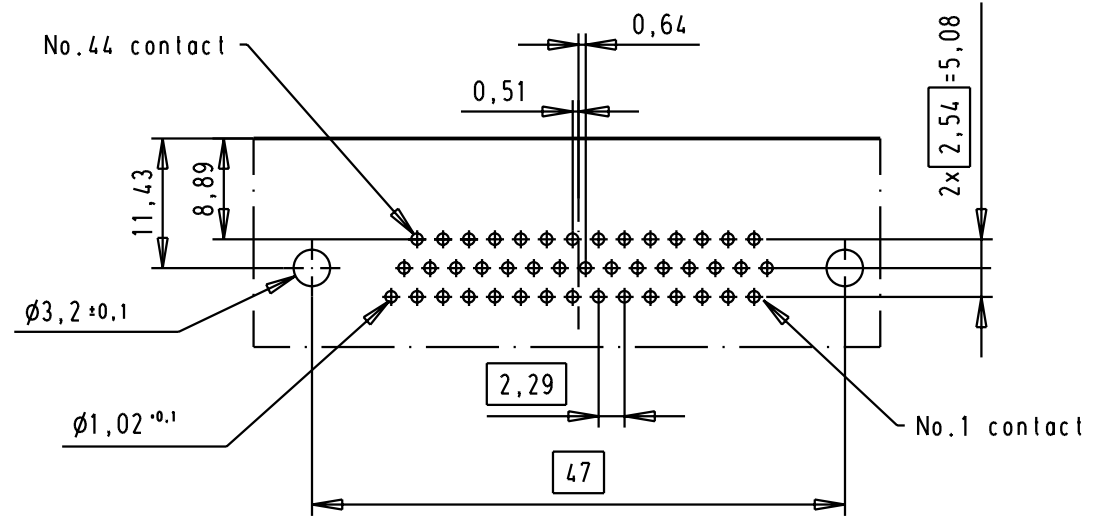
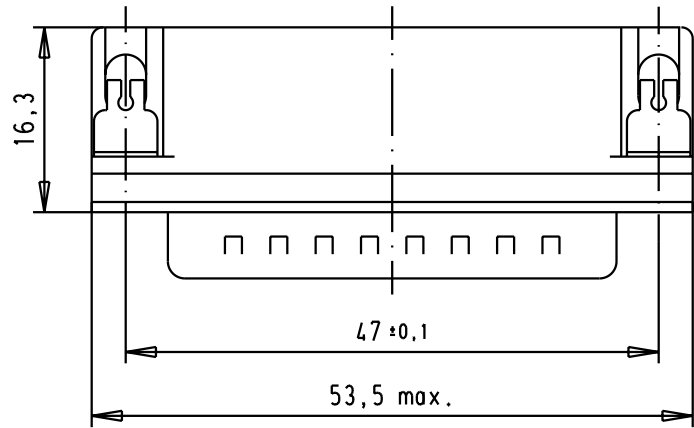


Printed board layout, component side



						<table border="1"> <tr> <td>Detail.</td> <td>Dat.</td> <td>Name</td> </tr> <tr> <td>Insp.</td> <td>16-SEP-02</td> <td>CV</td> </tr> <tr> <td>Stand.</td> <td></td> <td></td> </tr> </table>		Detail.	Dat.	Name	Insp.	16-SEP-02	CV	Stand.			<p>All Dim. in mm Orig. Size DIN A 4</p>	<p>D-Sub, Male, High density, 44 poles, angled, with nut and board lock</p>	<p>Maßstab/ Scale 1.5:1</p>
Detail.	Dat.	Name																	
Insp.	16-SEP-02	CV																	
Stand.																			
09563625812	0.76 μm Au	31352	16-OCT-02	S.H.	<p>HARTING EURL F-95972 Paris</p>	<p>TB 0956362x812</p>	<p>Blatt/ Page 1</p>												
09563627812	3	31064	16-SEP-02	CV															
Part number	Performance level	Mod.	Dat.	Name	Sub.														