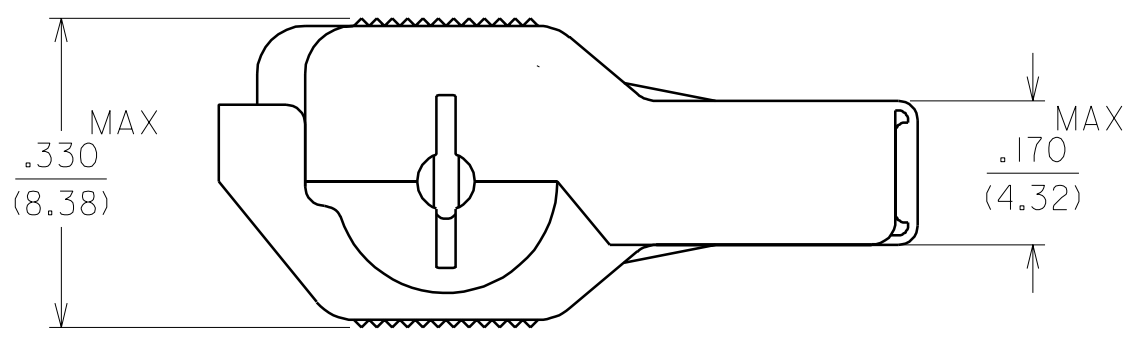
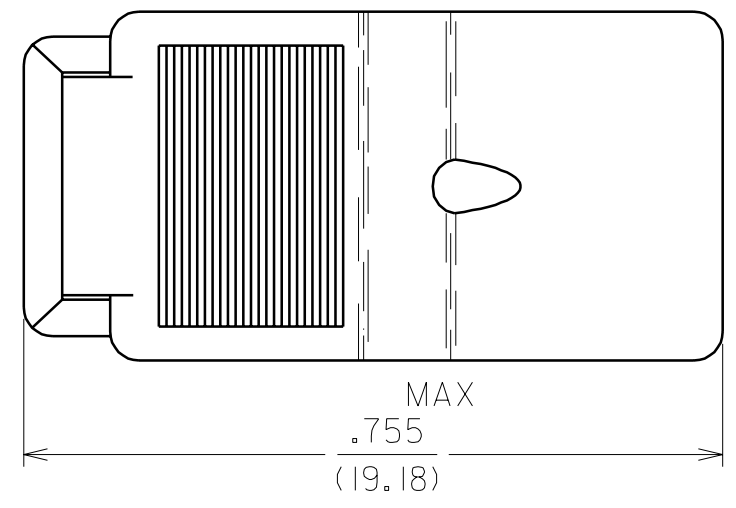
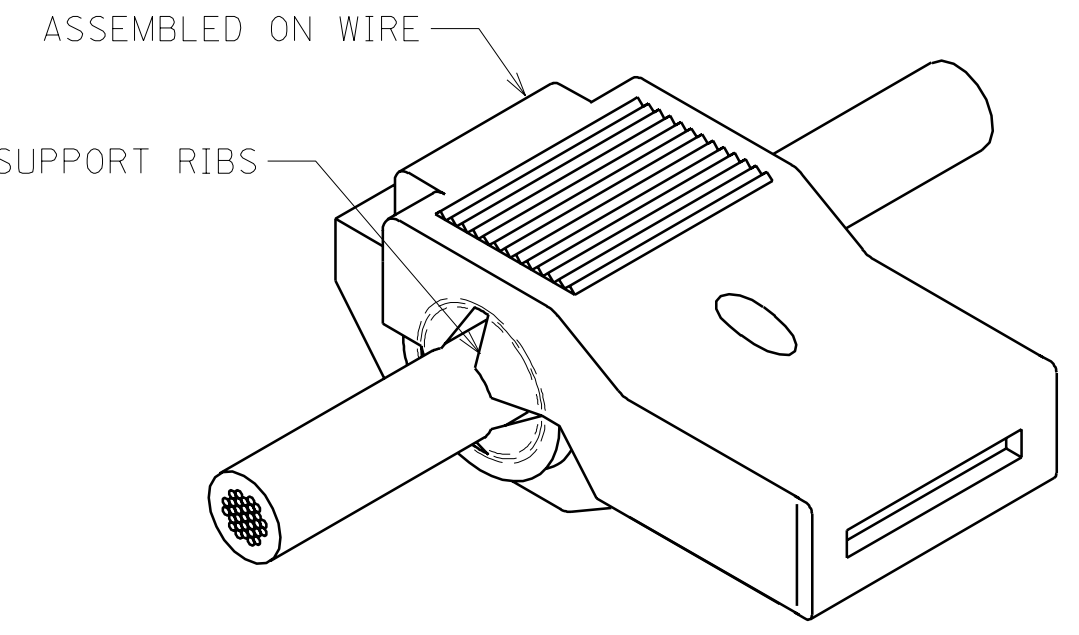
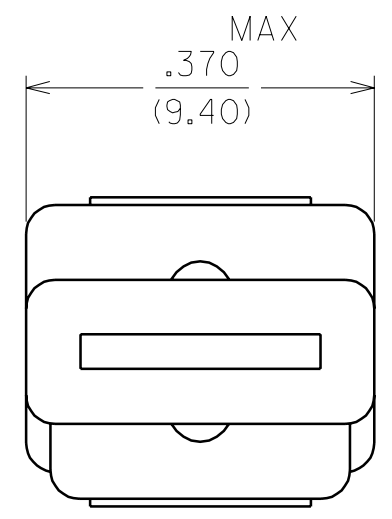


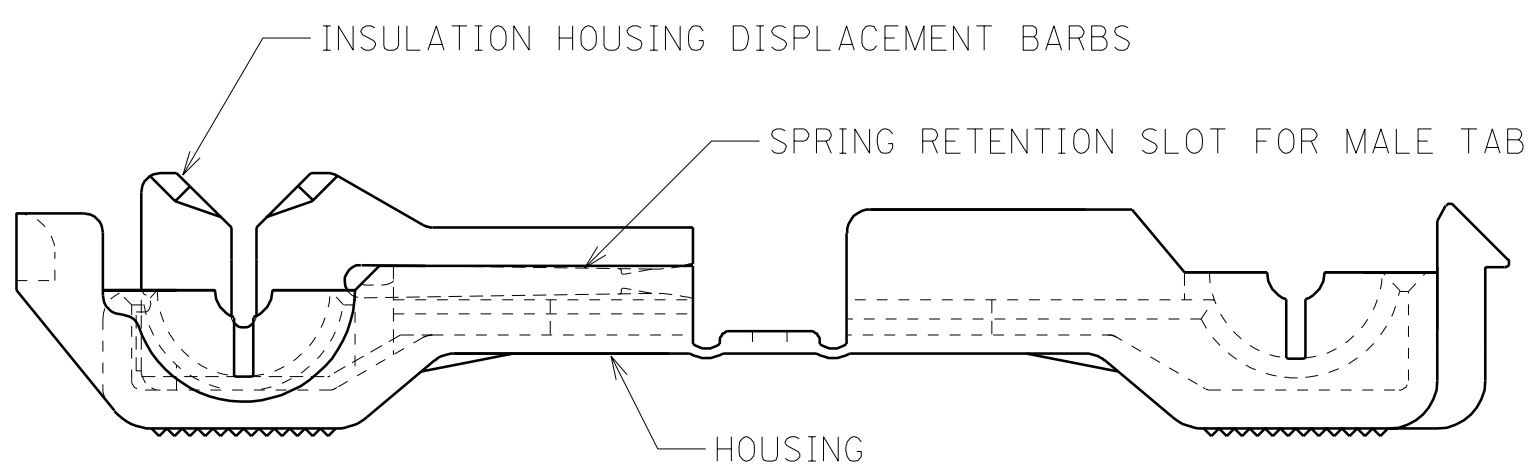
MATERIAL NO.	ALTERNATE NO.	WIRE RANGE AWG(mm2)	HOUSING COLOR
192160011	WT-2218	22-18(.34-.75)	RED
192160010	WT-1814	18-14(.75-2.5)	BLUE
192160009	WT-12	12(4.0)	YELLOW



CLOSED POSITION AFTER ASSEMBLY ON WIRE



- NOTES:
- MATERIALS
HOUSING: UNFILLED NYLON UL FLAMMABILITY
RATING 94V-2
COLOR: SEE TABLE
TERMINAL: COPPER ALLOY
 - FINISH
TERMINAL: TIN



OPEN POSITION PRIOR TO ASSEMBLY ON WIRE

B	VOIDS DWG. WT-CD ETC2000-0001 HEB 99/7/2
A	SEE ECN* 1137 09/08/94 RCM
LTR.	REVISIONS

CUSTOMER DRAWING

DIMENSIONS SHOWN (METRIC) INCH		REVISE ONLY ON CAD SYSTEM	
UNLESS OTHERWISE SPECIFIED TOLERANCES: ANGULAR ± 1/2°		TITLE WIRE TAP MULTIMATE	
	INCH	METRIC	
3 PLACE	± .005	± ---	
2 PLACE	± .01	± 0.13	
1 PLACE	± ---	± 0.25	
DRAFT WHERE APPLICABLE MUST REMAIN WITHIN DIMENSIONS		SHEET NO. DATE 1 OF 1 09/07/94	
molex ETC INC. PINELLAS PARK, FLA. 33781 U.S.A.		PART NO. DRWG. NO. SEE TABLE SD-19216-001	
DRWG. BY RCM	CHK'D. BY JM	FILE NAME	DIV. SIZE
APP'D. BY FP	SCALE 5: 1	19216001 SD	ETC B