



**MICRO SWITCH**

FREEPORT, ILLINOIS, U.S.A.  
A DIVISION OF HONEYWELL

FED. MFG. CODE 91929

**SWITCH-BASIC**

CATALOG LISTING

**BZ-2RN702**

JG07925

**FORMTEK**  
FO-50376

DRAWN  
JAN 18 AUG 64

CHECK  
DAW 17 SEPT 64

CHECK  
RJ 29 AUG 05

CHECK  
DAW 15 AUG 94

CHECK  
DLT 1 SEP 98

CHECK  
SPK 29 AUG 05

RELEASE NO.

REPLACES

PAGE 1 OF 1

BZ-2RN702

DRAWING NUMBER

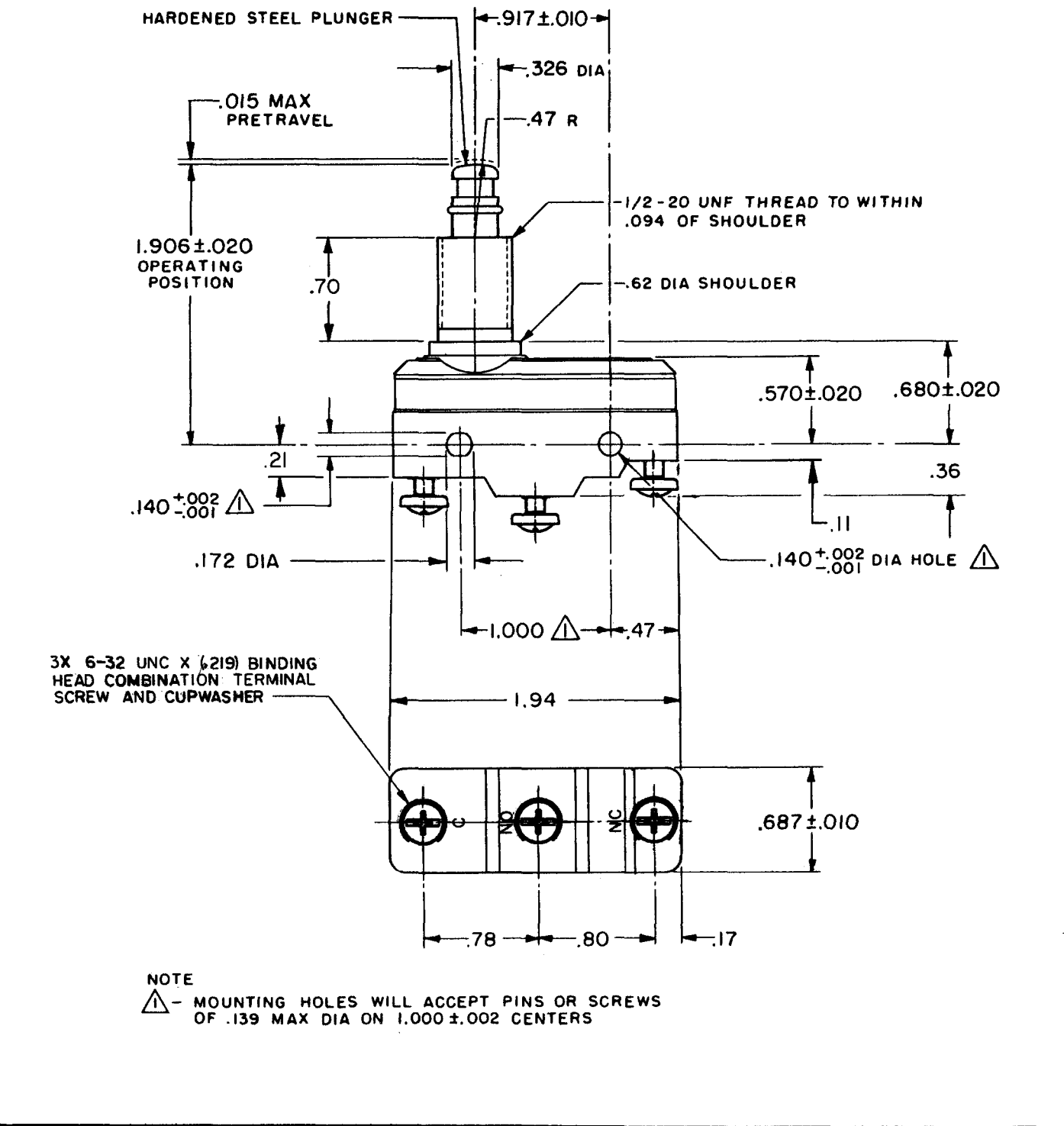
M

ISSUE

X12

REVISIONS

A	C017410
JAN 18	AUG 64
B	C028543
OMW	29 JUN 71
C	C033708
GLH	17 JUN 74
D	C034355
BEN	4 NOV 74
E	C036332
RER	5 AUG 76
F	C036099
P	3 JUN 77
G	C073267-B
DHD	17 MAY 93
H	C077592
DAW	15 AUG 94
J	C093346
DLT	1 SEP 98
K	0015138



CHARACTERISTICS
OPERATING FORCE ----- 9-13 OZ
RELEASE FORCE ----- 4 OZ MIN
DIFFERENTIAL TRAVEL ----- .0004-.0020
OVERTRAVEL ----- .125 MIN

ELECTRICAL DATA
CONTACT ARRANGEMENT <b>S P D T</b>
15A - 125, 250 OR 480 VAC, 2A - 600 VAC 1/8HP - 125 VAC; 1/4HP - 250 VAC CODE L74 1/2A - 125 VDC; 1/4A - 250 VDC
-L288- -L306- -L315-
CE EN05 EC SP RU
16A 250V ~ T85 5E4

SCALE FULL
DO NOT SCALE PRINT
UNLESS OTHERWISE NOTED DIMENSIONS ARE IN INCHES
<b>TOLERANCES ARE:</b>
ONE PLACE (.0) $\pm .030$
TWO PLACE (.00) $\pm .015$
THREE PLACE (.000) $\pm .005$
ANGLES $\pm$
WEIGHT