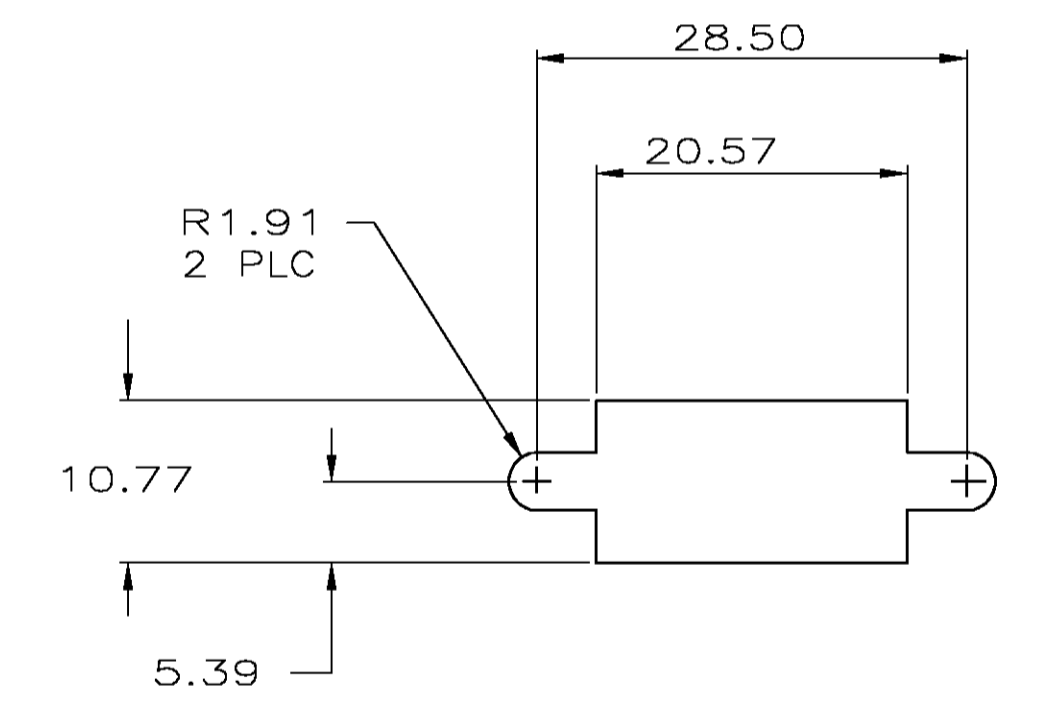
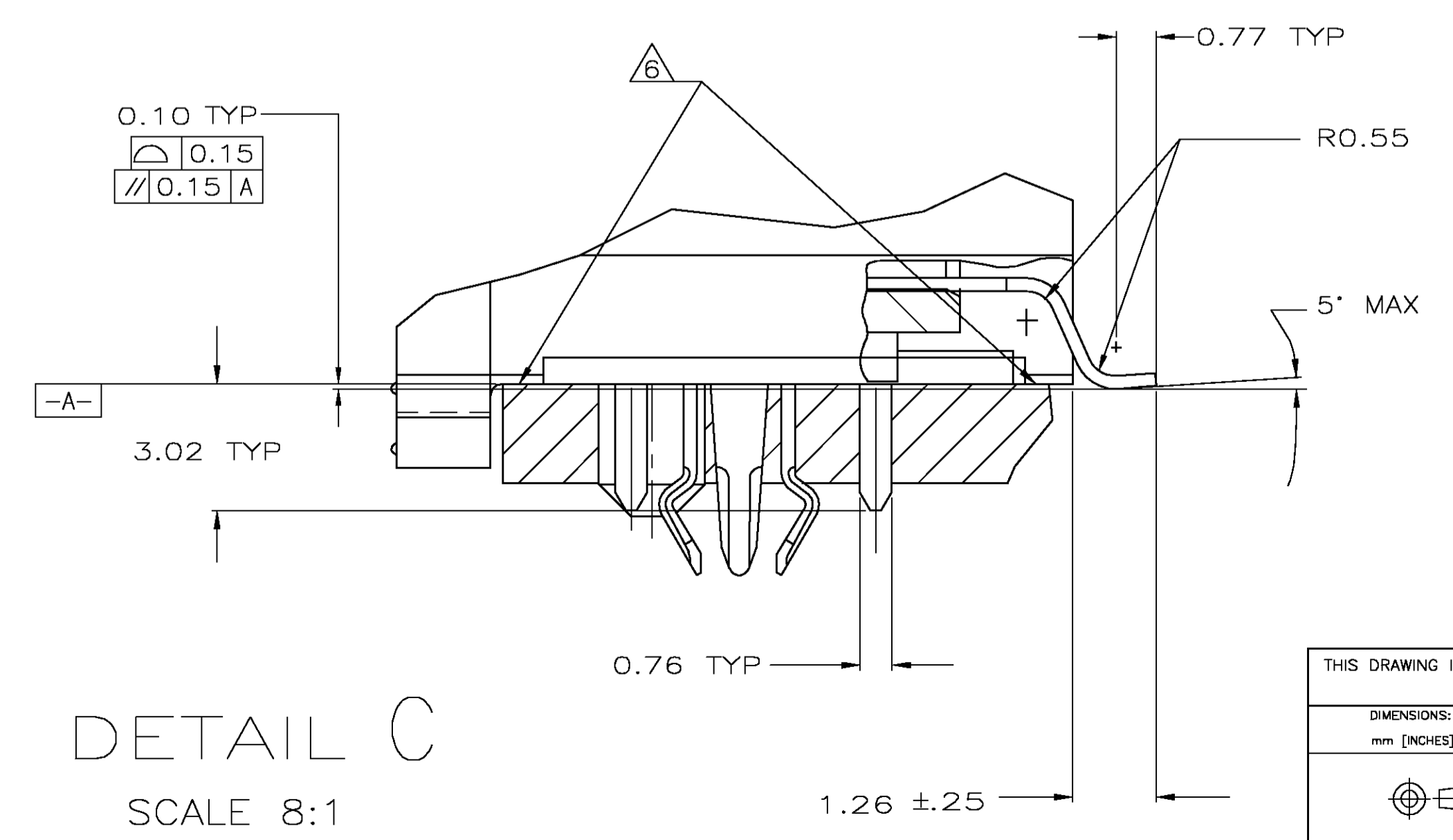


BOARD DETAIL
 SCALE 2:1
 RECOMMENDED PC BOARD LAYOUT
 FOR APPLICATION OF 1 ASSEMBLY

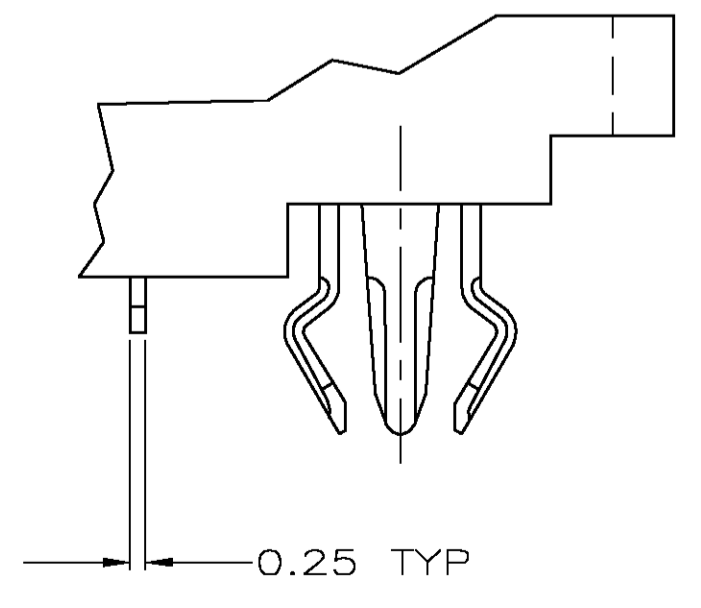


RECOMMENDED PANEL CUT OUT
 FOR APPLICATION OF 1 ASSEMBLY



DETAIL C
 SCALE 8:1

- △ 0.00076 MIN GOLD ON CONTACT SURFACE, 0.00381 MIN TIN ON SOLDER TAILS ALL OVER 0.00127-0.00203 NICKEL.
- △ .00300 MIN AVERAGE THICK BRIGHT TIN.
- △ 0.0038 MIN NICKEL OVER 0.0038 MIN COPPER.
- △ 0.0038 TIN OVER 0.00127 -0.0025 NICKEL.
- △ MATERIAL:
 HOUSING: POLYPHTHALAMIDE GLASS REINFORCED, UL 94V-0 RATED.
 SHIELD: COPPER ZINC ALLOY
 BRACKET: ZINC
 BOARD LOCK: COPPER ZINC ALLOY
 CONTACT: PHOSPHOR BRONZE
- △ RECEPTACLE MUST SIT FLAT ON THE PC BOARD.
- △ MEASURED AT FRONT OF MATING FACE.



**COPYRIGHT 2004
 TYCO ELECTRONICS CORP
 ALL RIGHTS RESERVED**

1.57	3.78	5636181-2
2.36	4.57	5636181-1
DIM B, REF. CUSTOMER PCB THICKNESS		PART NUMBER
DIM A, REF. BOARDLOCK LENGTH		

THIS DRAWING IS A CONTROLLED DOCUMENT.	DIN 9138 MCMASTER 17JUNE04	Tyco Electronics Corporation Harrisburg, Pa 17105-3608
DIMENSIONS: mm [INCHES]	TOLERANCES UNLESS OTHERWISE SPECIFIED:	
0 PLC ± -	1 PLC ± -	tyco Tyco Electronics Corporation NAME: W. WALMSLEY PRODUCT SPEC: 108-1705 APPLICATION SPEC: - SIZE: A1 CAGE CODE: 00779 DRAWING NO: 5636181 WEIGHT: - CUSTOMER DRAWING: -
2 PLC ± 0.13	3 PLC ± -	
4 PLC ± -	ANGLES ± -	
FINISH: △△△△		
SCALE: 4:1		SHEET: 1 OF 1
REV: 0		