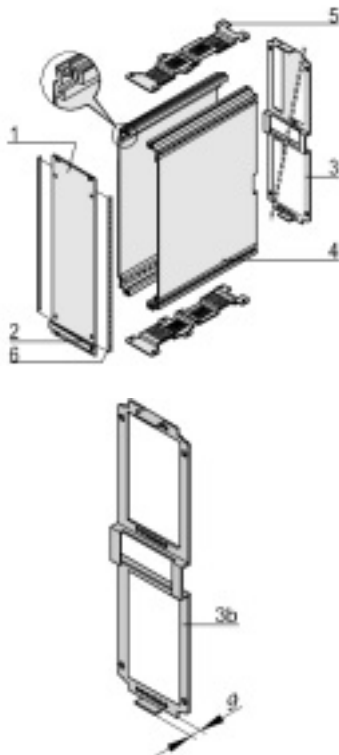


Frame-type 5 plug-in units 3/6 U kits

[Print page](#)



#### Article number: 20846-675

- Right and left extruded side panels with grooves for sliding in printed board (standard card position only on the left)
- Assembly of further printed boards via assembly of guide rails in the perforated covers
- Front panel EMC shielded, covers with perforation

#### Delivery comprises: kit

| Item | Qty | Description  |
|------|-----|--|
| 1    | 1   | Front panel, Al, 2.5 mm, anodised front, colourless chromated rear |
| 2    | 1   | Handle, grey, PPE, UL 04 V-1                                       |
| 3b   | 1   | Rear panel Al, 1.5 mm, with cut-out for several connectors         |
| 4    | 2   | Side panel, Al extrusion, with groove for one printed board        |
| 5    | 2   | Cover, perforated, Al, 1 mm  |
| 6    | 2   | EMC contact strips, stainless steel                                |
| 7    | 1   | Assembly kit   |

#### Technical data:

| Height | Width | Description                      | Description                                    |
|--------|-------|----------------------------------|--|
| 6 U    | 21 HP | T = 167 mm front panel, shielded | Rear panel with cut-out for several connectors |

#### Technical data:

T = plug-in unit side panel depth

#### Further Information:



User Manual  
User Manual  
User Manual  
User Manual