

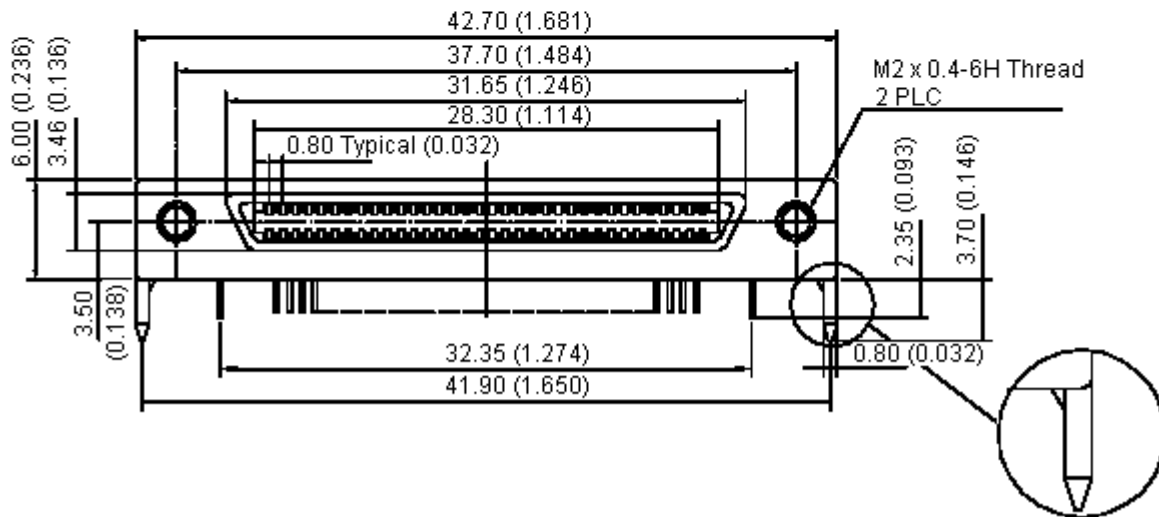
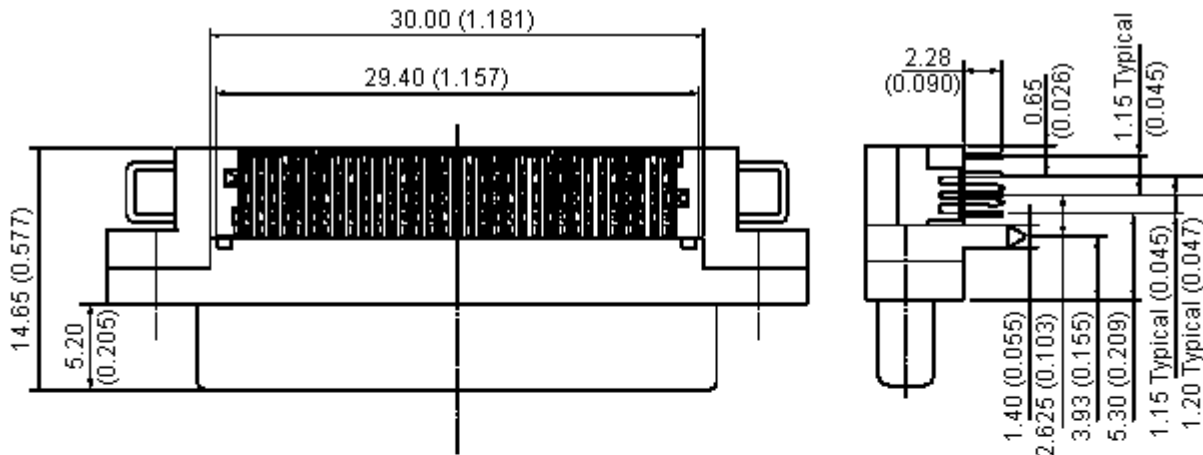


PART NO.

34L068S-326H-BB-HT

REVISIONS

ECN #	REV	DESCRIPTION	DRAWN	DATE	CHECKD	DATE	APPRVD	DATE
-	A	RELEASED	Veena	31/08/09	Ramya	31/08/09	Farnell	14/09/09



Dimensions : Millimetres (Inches)

This data sheet and its contents (the "Information") belong to the Premier Farnell Group (the "Group") or are licensed to it. No licence is granted for the use of it other than for information purposes in connection with the products to which it relates. No licence of any intellectual property rights is granted. The Information is subject to change without notice and replaces all data sheets previously supplied. The Information supplied is believed to be accurate but the Group assumes no responsibility for its accuracy or completeness, any error in or omission from it or for any use made of it. Users of this data sheet should check for themselves the Information and the suitability of the products for their purpose and not make any assumptions based on information included or omitted. Liability for loss or damage resulting from any reliance on the Information or use of it (including liability resulting from negligence or where the Group was aware of the possibility of such loss or damage arising) is excluded. This will not operate to limit or restrict the Group's liability for death or personal injury resulting from its negligence. SPC MULTICOMP is the registered trademark of the Group. © Premier Farnell plc 2008.

TOLERANCES:
UNLESS OTHERWISE SPECIFIED, DIMENSIONS ARE FOR REFERENCE PURPOSES ONLY.

DRAWN BY:	DATE:
Veena	31/08/09
CHECKED BY:	DATE:
Ramya	31/08/09
APPROVED BY:	DATE:
Farnell	14/09/09

DRAWING TITLE:

Socket - VHDCI, R/A, 68 Way

SIZE A	DWG NO. M10002353	ELECTRONIC FILE 1428257_DWG	REV A
SCALE: NTS		U.O.M.: mm (Inches)	SHEET: 1 OF 4



PART NO.

34L068S-326H-BB-HT

REVISIONS

ECN #	REV	DESCRIPTION	DRAWN	DATE	CHECKD	DATE	APPRVD	DATE
-	A	RELEASED	Veena	31/08/09	Ramya	31/08/09	Farnell	14/09/09

Specifications:

Current rating : 0.30A.
 Minimum insulation resistance : 500MΩ.
 Maximum contact resistance : 50mΩ.
 Dielectric withstanding voltage : 250V ac for one minute.
 Operating temperature range : -25°C to +85°C.

Materials:

Housing : Thermoplastic with G/F reinforced.
 Cover : Thermoplastic with G/F reinforced.
 Contact : Phosphor bronze, gold over nickel.
 Bracket : Zinc alloy, nickel plated.
 Harpoon : Phosphor bronze, tin over nickel.

Part Number Table

Description	Part Number
Socket, VHDCI, 68 Way	34L068S-326H-BB-HT

This data sheet and its contents (the "Information") belong to the Premier Farnell Group (the "Group") or are licensed to it. No licence is granted for the use of it other than for information purposes in connection with the products to which it relates. No licence of any intellectual property rights is granted. The Information is subject to change without notice and replaces all data sheets previously supplied. The Information supplied is believed to be accurate but the Group assumes no responsibility for its accuracy or completeness, any error in or omission from it or for any use made of it. Users of this data sheet should check for themselves the Information and the suitability of the products for their purpose and not make any assumptions based on information included or omitted. Liability for loss or damage resulting from any reliance on the Information or use of it (including liability resulting from negligence or where the Group was aware of the possibility of such loss or damage arising) is excluded. This will not operate to limit or restrict the Group's liability for death or personal injury resulting from its negligence. SPC MULTICOMP is the registered trademark of the Group. © Premier Farnell plc 2008.

TOLERANCES: UNLESS OTHERWISE SPECIFIED, DIMENSIONS ARE FOR REFERENCE PURPOSES ONLY.	DRAWN BY:	DATE:	DRAWING TITLE: Socket - VHDCI, R/A, 68 Way			
	Veena	31/08/09				
	CHECKED BY:	DATE:	SIZE	DWG NO.	ELECTRONIC FILE	REV
	Ramya	31/08/09	A	M10002353	1428257_DWG	A
	APPROVED BY:	DATE:	SCALE: NTS		U.O.M.: mm (Inches)	
Farnell	14/09/09					



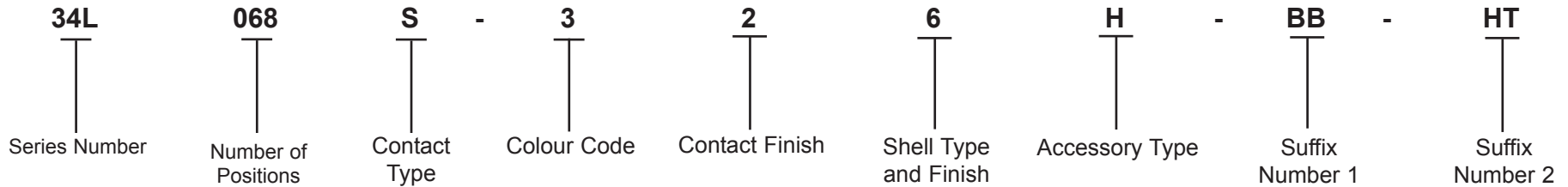
PART NO.

34L068S-326H-BB-HT

REVISIONS

ECN #	REV	DESCRIPTION	DRAWN	DATE	CHECKD	DATE	APPRVD	DATE
-	A	RELEASED	Veena	31/08/09	Ramya	31/08/09	Farnell	14/09/09

Part Number Explanation:



- Series Number** : 34L = 0.8mm Champ Right Angel Mini Conn. PCB Mounting Type.
- Number of Positions** : 068 = 68 Positions.
- Contact Type** : S = Socket.
- Colour Code** : 3 = Black.
- Contact Finish** : 2 = 15µ Inches Selective Gold Over 50µ Inches Nickel.
- Shell Type and Finish** : 6 = Die Casting Type Without Grounding Indents, Nickel Plated.
- Accessory Type** : H = With M2 x 0.4 Screws and Harpoons.
- Suffix Number 1** : BB = Without Logo and Solder Tail 2.28mm.
- Suffix Number 2** : HT = Plastic Material is LCP.

<http://www.farnell.com>
<http://www.newark.com>
<http://www.cpc.co.uk>

This data sheet and its contents (the "Information") belong to the Premier Farnell Group (the "Group") or are licensed to it. No licence is granted for the use of it other than for information purposes in connection with the products to which it relates. No licence of any intellectual property rights is granted. The Information is subject to change without notice and replaces all data sheets previously supplied. The Information supplied is believed to be accurate but the Group assumes no responsibility for its accuracy or completeness, any error in or omission from it or for any use made of it. Users of this data sheet should check for themselves the Information and the suitability of the products for their purpose and not make any assumptions based on information included or omitted. Liability for loss or damage resulting from any reliance on the Information or use of it (including liability resulting from negligence or where the Group was aware of the possibility of such loss or damage arising) is excluded. This will not operate to limit or restrict the Group's liability for death or personal injury resulting from its negligence. SPC MULTICOMP is the registered trademark of the Group. © Premier Farnell plc 2008.

TOLERANCES: UNLESS OTHERWISE SPECIFIED, DIMENSIONS ARE FOR REFERENCE PURPOSES ONLY.	DRAWN BY:	DATE:	DRAWING TITLE: Socket - VHDCI, R/A, 68 Way			
	Veena	31/08/09				
	CHECKED BY:	DATE:	SIZE	DWG NO.	ELECTRONIC FILE	REV
	Ramya	31/08/09	A	M10002353	1428257_DWG	A
	APPROVED BY:	DATE:	SCALE: NTS		U.O.M.: mm (Inches)	SHEET: 4 OF 4
Farnell	14/09/09					