

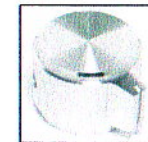
P/N	A	B	C	D	E	Color
KPN500A1/4	12.7	11.3	6.4	9.5	9.0	Natural
KPN500B1/4	12.7	11.3	6.4	9.5	9.0	Black
KPN700A1/4	19.0	17.6	6.4	15.0	10.0	Natural
KPN700B1/4	19.0	17.6	6.4	15.0	10.0	Black
KPN900A1/4	23.8	22.4	6.4	17.6	9.5	Natural
KPN900B1/4	23.8	22.4	6.4	17.6	9.5	Black



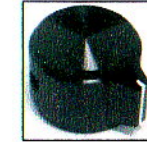
KPN500A1/4



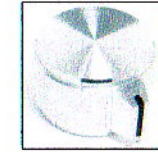
KPN500B1/4



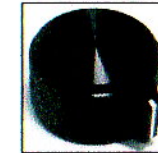
KPN700A1/4



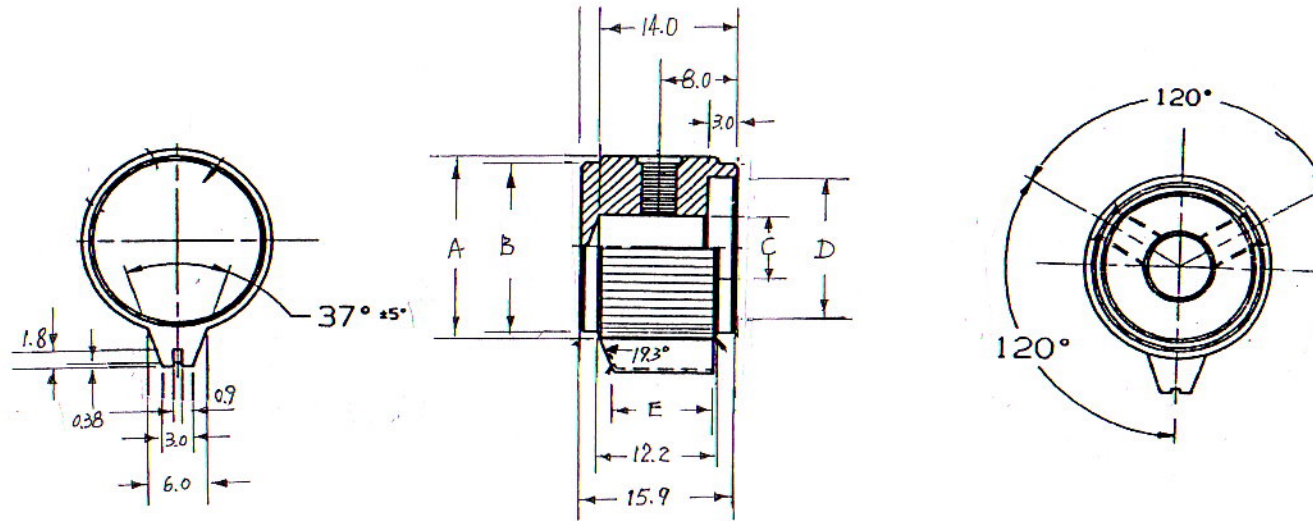
KPN700B1/4



KPN900A1/4



KPN900B1/4



嘉信旋鈕股份有限公司
 CHIA SHIN KNOBS CO., LTD.
 351, YUNGHO ROAD,
 CHUNGHO CITY,
 TAIPEI HSIEN,
 TEL: (02) 2225-1216-7
 FAX: (02) 2222-7312

Material: ALUMINUM SOLIDE
 Tolerance: +/-0.20
 Unit : mm

P/N:	
CHIA SHIN P/N:	KPN SERIES

Date: 1-Sep-07