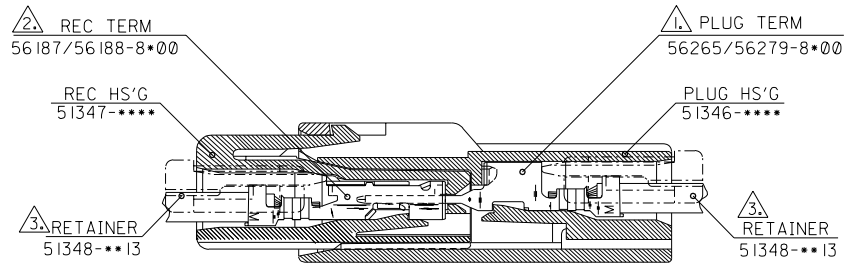
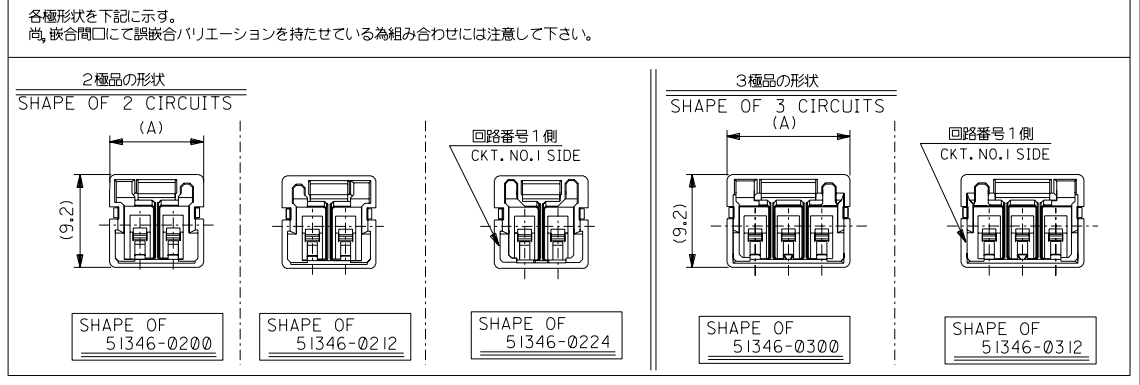
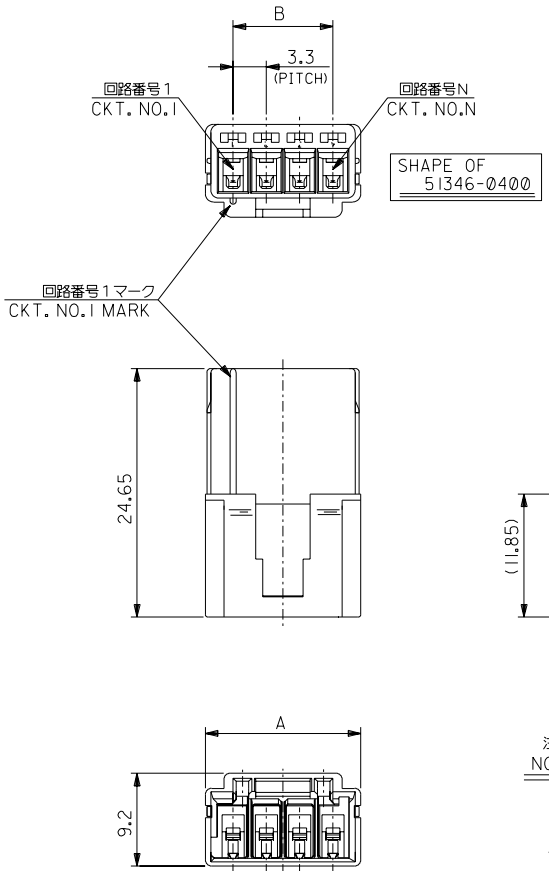




DO NOT SCALE DRAWING

本図は1列品を示す  
SINGLE ROW ASS'Y



ターミナル装着・嵌合状態図  
TERMINAL ASSEMBLY & MATING CONDITION

注記  
NOTES

- △ 適合ターミナル：56265/56279シリーズ  
APPLICABLE TERMINAL：56265/56279 SERIES
  - △ 適合ターミナル：56187/56188シリーズ  
APPLICABLE TERMINAL：56187/56188 SERIES
  - △ 適合リテーナー：51348シリーズ  
APPLICABLE RETAINER：51348 SERIES
4. 材料 MATERIAL : NYLON66, UL94V-0

51347-0400	51348-0413	NATURAL	9.9	15.1	4	51346-0400	51346-****
-0312	-0313	RED	6.6	12.1	3	-0312	
-0300	-0313	NATURAL	6.6	12.1		-0300	
-0224	-0213	BLUE	3.3	9.3		-0224	
-0212	-0213	RED	3.3	9.3	2	-0212	
51347-0200	51348-0213	NATURAL	3.3	9.3		51346-0200	
MATE WITH	CONFORMABLE-RETAINER	COLOR	B	A	CKT.	MATERIAL NO.	MODEL NO.

① NO. DRAWN: CH'K: APPR: ② NO. DRAWN: CH'K: APPR: ③ NO. DRAWN: CH'K: APPR: ④ NO. DRAWN: CH'K: APPR: ⑤ NO. DRAWN: CH'K: APPR: ⑥ NO. DRAWN: CH'K: APPR:	DESCRIPTION MATERIAL 材料 FINISH 仕上げ WIRE RANGE 適用電線範囲 INS. RANGE 被覆外径	GENERAL TOLERANCES: (UNLESS SPECIFIED) 一般公差 10 UNDER 未満 ±0.2 10 OVER 30 UNDER 以上 未満 ±0.25 30 OVER 以上 ±0.3 ANGLE 角度 ±3°	SCALE 1:1 DESIGN UNITS ①mm ②mm ③INCH DRAWN BY & DATE 2004/01/15 CHECKED BY & DATE S. Ichikawa APPROVED BY & DATE Y.Ota CAD FILENAME SD-51346-001.S02	DIMENSIONS: ①mm ②mm ③INCH ④mm ⑤mm ONLY TITLE: 3.3 mm WIRE TO WIRE CONN. PLUG HOUSING (SINGLE ROW) MOLEX MOLEX INCORPORATED MATERIAL NO. SEE CHART DRAWING NO. SD-51346-001 SHEET NO. 2	SHT ① REV ② OTHERWISE ON CAD ONLY MOLEX DRAWING CONTAINS INFORMATION THAT IS PROPRIETARY TO MOLEX INCORPORATED AND SHOULD NOT BE USED WITHOUT WRITTEN PERMISSION. SIZE B				
						⑦	⑧	⑨	⑩
						⑪	⑫	⑬	⑭
						⑮	⑯	⑰	⑱