

PART NO. SEE CHART SHEET 2
 DWG. NO. SD-85502-001

NOTES:

1- MATERIAL:

HOUSING: POLYAMIDE 4/6 GLASS FILLED
 UL-94V0 , COLOR BLACK.
 TERMINAL: PHOSPHOR BRONZE PLATED WITH:
 0.00127/.000050 MIN GOLD IN CONTACT AREA,
 0.00190/.000075 MIN (90/10) TIN/LEAD IN TAIL AREA,
 BOTH OVER 0.00127/.000050 MIN NICKEL OVERALL.
 SOLDER TABS: BRASS PLATED WITH 0.0020/.000078 MIN TIN/LEAD.

2- JACK FOR MATING WITH F.C.C.68 PLUGS.
 (MOLEX 90075 SERIES).

3- PRODUCT SPECIFICATION: MOLEX PS-85502.

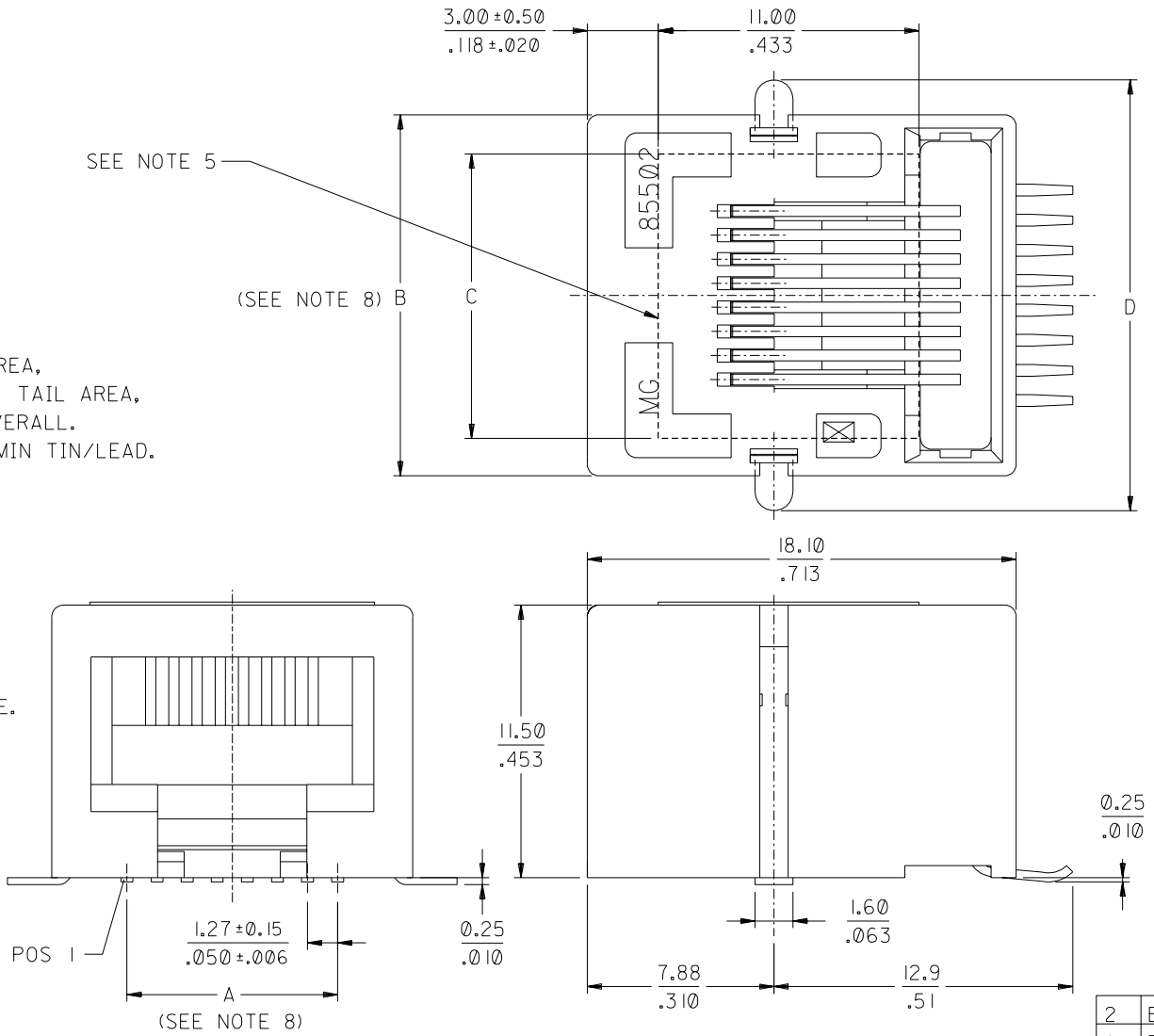
4- APPLICATION SPECIFICATION: MOLEX AS-95001.

5- POLYIMIDE ADHESIVE TAPE FOR PICK & PLACE SURFACE.
 THICKNESS: 125 μ m/4921 μ ''

6- PACKAGING SPECIFICATION: MOLEX PK-85502.
 (BLISTER PACKAGING).

7- COPLANARITY OF TABS AND LEADS: 0.10/.004

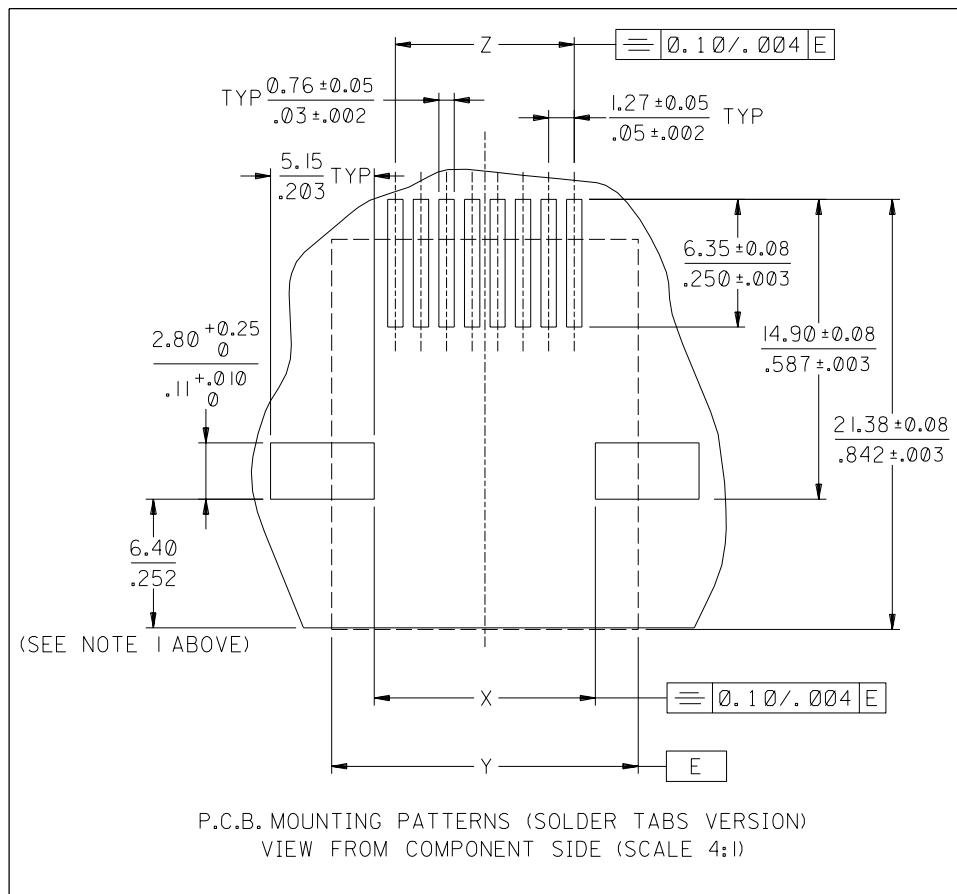
8- SEE DIMENSIONS IN CHART ON SHEET 2.



2	B
1	B

EC NO. MC2003-0096 DRAWN: RK 02/08/20 CHK: SF 02/08/20 APPR: MH 02/08/20	QUALITY SYMBOLS MAJOR = CRITICAL =	GENERAL TOLERANCES: (UNLESS SPECIFIED)		SCALE 5:1 DESIGN UNITS <input checked="" type="checkbox"/> mm <input type="checkbox"/> INCH	THIRD ANGLE PROJECTION	DIMENSIONS: <input checked="" type="checkbox"/> mm <input type="checkbox"/> INCH <input type="checkbox"/> mm ONLY <input type="checkbox"/> INCH ONLY	SHT 2 REV B
	DESCRIPTION B	4 PLACES ±0. mm ±. INCH 3 PLACES ±0. mm ±.010 INCH 2 PLACES ±0.25 mm ±.014 INCH 1 PLACE ±0.35 mm ±. INCH	DRAWN BY & DATE FB 96/04/02	TITLE: R/A LOW PROFILE TRUE SMT 4,6 & 8 CONTACTS PC JACK WITH SIDE SOLDER TABS			
	REV	ANGULAR: ± 2 °	CHECKED BY & DATE FB / /	MOLEX MOLEX INCORPORATED			
	DRAFT WHERE APPLICABLE MUST REMAIN WITHIN DIMENSIONS	APPROVED BY & DATE JB / /	CAD FILENAME S85502X1.DGN	MATERIAL NO. SEE CHART SHEET 2	DRAWING NO. SD-85502-001	SHEET NO. 1 OF 2	SIZE B

NOTE 1: RECOMMENDED DISTANCE FROM THE PCB'S EDGE



P.C.B. MOUNTING PATTERNS (SOLDER TABS VERSION)
VIEW FROM COMPONENT SIDE (SCALE 4:1)

PART NUMBERS FOR TRUE SMT JACK WITH SOLDER TABS								
HOUSING COLOR	POS 4	TOOLED	POS 6	TOOLED	POS 6	TOOLED	POS 8	TOOLED
	4 CKTS		4 CKTS		6 CKTS		8 CKTS	
STANDARD VERSION	BLACK	85502-0005		85502-0006		85502-0007		85502-0008

TYPE	POS 4	POS 6		POS 8
	4 CKTS	4 CKTS	6 CKTS	8 CKTS
A ±0.15/0.006	3.81 / .150	3.81 / .150	6.35 / .250	8.89 / .350
B	11.18 / .440	13.21 / .520	13.21 / .520	15.24 / .600
C	8.50 / .335	8.50 / .335	8.50 / .335	12.00 / .472
D ±0.35/0.14	14.13 / .556	16.16 / .636	16.16 / .636	18.19 / .716
X ±0.10/0.04	6.94 / .273	8.97 / .353	8.97 / .353	11.00 / .433
Y (REF)	11.18 / .440	13.21 / .520	13.21 / .520	15.24 / .600
Z ±0.05/0.02	3.81 / .150	3.81 / .150	6.35 / .250	8.89 / .350

EC NO. MC2003-0096
 DRWN: RK 02/08/00
 CHK: SF 02/08/00
 APPR: MH 02/08/00
 REV B

QUALITY SYMBOLS
 MAJOR =
 CRITICAL =
 DESCRIPTION

GENERAL TOLERANCES: (UNLESS SPECIFIED)
 mm INCH
 4 PLACES ±0. ±.
 3 PLACES ±0. ±.010
 2 PLACES ±0.25 ±.014
 1 PLACE ±0.35 ±.
 ANGULAR: ± 2 °
 DRAFT WHERE APPLICABLE MUST REMAIN WITHIN DIMENSIONS

SCALE 5:1
 DESIGN UNITS mm INCH
 DRAWN BY & DATE FB 96/04/02
 CHECKED BY & DATE FB / /
 APPROVED BY & DATE JB / /
 CAD FILENAME S85502X3.DGN

DIMENSIONS: mm INCH mm ONLY
 THIRD ANGLE PROJECTION
 TITLE: R/A LOW PROFILE TRUE SMT 4,6 & 8 CONTACTS PC JACK WITH SIDE SOLDER TABS
 MOLEX INCORPORATED
 MATERIAL NO. SEE CHART
 DRAWING NO. SD-85502-001
 SHEET NO. 2 OF 2
 THIS DRAWING CONTAINS INFORMATION THAT IS PROPRIETARY TO MOLEX INCORPORATED AND SHOULD NOT BE USED WITHOUT WRITTEN PERMISSION.