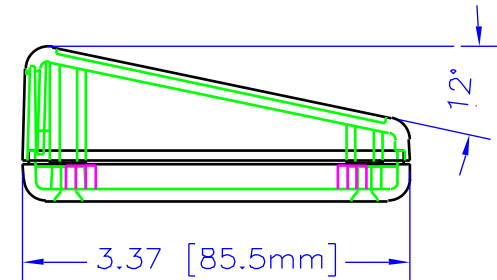
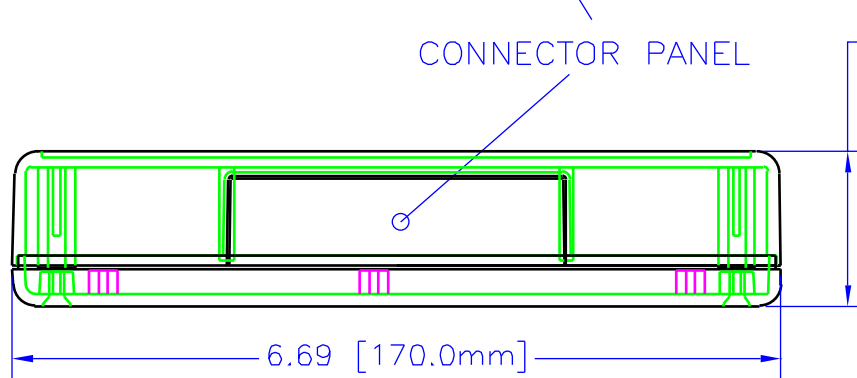
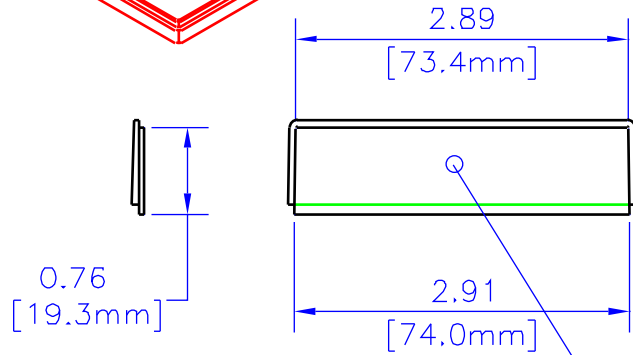
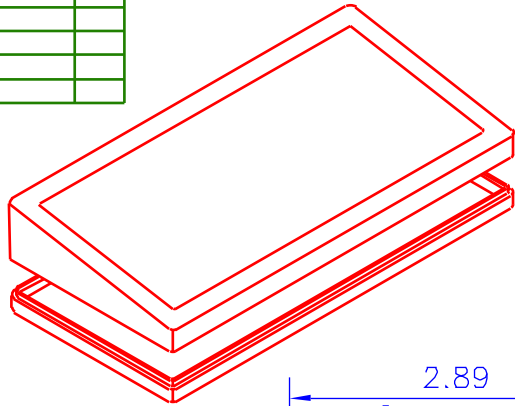


REV	DESCRIPTION	DATE



ASSEMBLED

## NOTES

- MATERIAL** (ABS) FLAME RETARDANT UL94 VO MATERIAL WITH BRASS INSERTS IN CORNER POSTS.  
(STYRENE) IS NON-FLAME RETARDANT WITHOUT BRASS INSERTS.
- PARTS** (ABS) VERSION MACHINE SCREWS M3-0.5 x 10mm, REPLACEMENT PN 1591MS100 (100 / BAG), (STYRENE) VERSION SELF TAPPING #4 x 0.5", REPLACEMENT PN 1591TS100 (100 / BAG).
- COLORS** (ABS) BLACK, & GRAY, (STYRENE) GRAY ONLY.

UNLESS OTHERWISE SPECIFIED  
DIMENSIONS ARE IN INCHES

X +/- .1  
XX +/- .02  
XXX +/- .015  
CUTS +/- .005  
ANGLES +/- .5 DEG

NOTICE  
WHENEVER FLAME PROPERTIES "RIGHTS" TO THE MATERIAL ON THIS DRAWING, IT IS INTENDED TO BE USED AS A REFERENCE FOR ENGINEERING INFORMATION ONLY. THIS INFORMATION MAY NOT BE USED TO MANUFACTURE PRODUCT WITHOUT WRITTEN PERMISSION FROM HAMMOND MANUFACTURING.



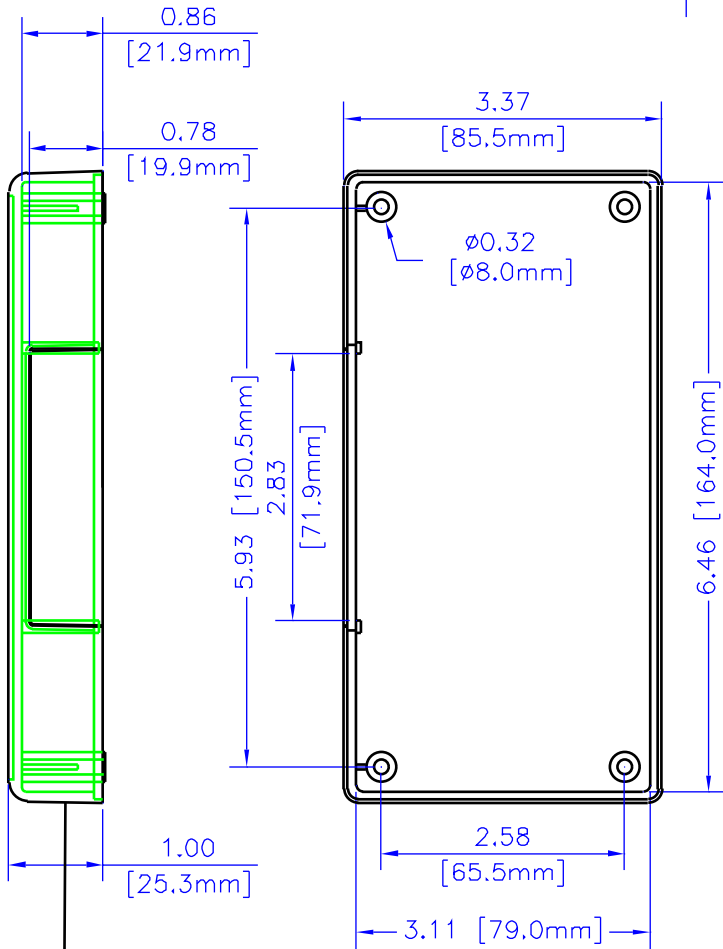
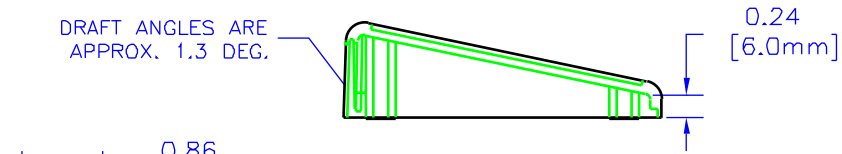
**HAMMOND  
MANUFACTURING**

WEB: [WWW.HAMMONDMFG.COM](http://WWW.HAMMONDMFG.COM)

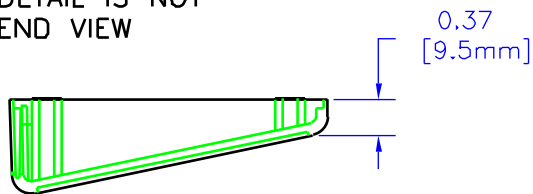
TITLE  
HAMMOND 1599 SERIES  
SLOPED CONSOLE

DRAWN BY MJM DATE 03/10/01  
SCALE PAGE 1 OF 3  
PART NUMBER  
1599ETS

NOTES

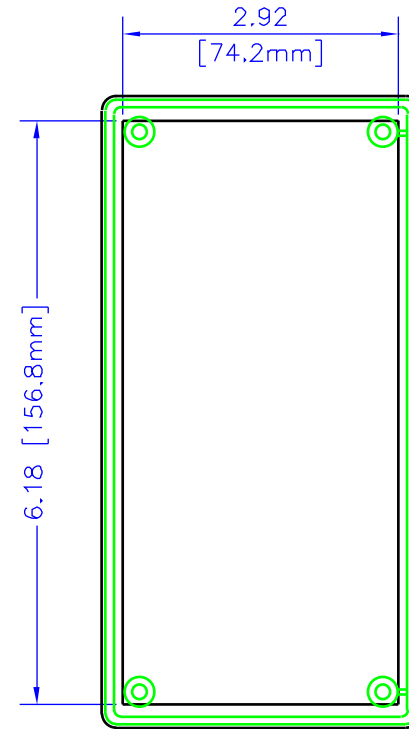
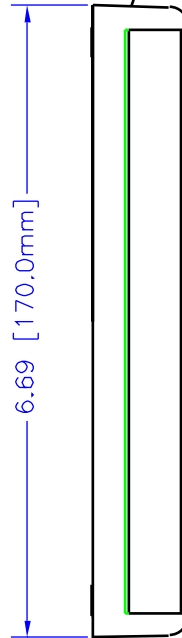


SOME INTERNAL DETAIL IS NOT SHOWN IN THIS END VIEW



INTERNAL DETAIL IS NOT SHOWN IN THIS END VIEW

INTERNAL DETAIL IS NOT SHOWN IN THIS VIEW. FACE SHOWN FLAT (NOT ANGLED)



BOX

UNLESS OTHERWISE SPECIFIED DIMENSIONS ARE IN INCHES	
X	+/- .1
XX	+/- .02
XXX	+/- .015
CLTS	+/- .005
ANGLES	+/- .5 DEG
NOTICE	
HAMMOND CLAIMS PROPRIETARY RIGHTS TO THE MATERIAL ON THIS DRAWING. IT IS INTENDED TO BE USED AS A REFERENCE FOR ENGINEERING INFORMATION ONLY. THIS INFORMATION MAY NOT BE USED TO MANUFACTURE PRODUCT WITHOUT WRITTEN PERMISSION FROM HAMMOND MANUFACTURING.	

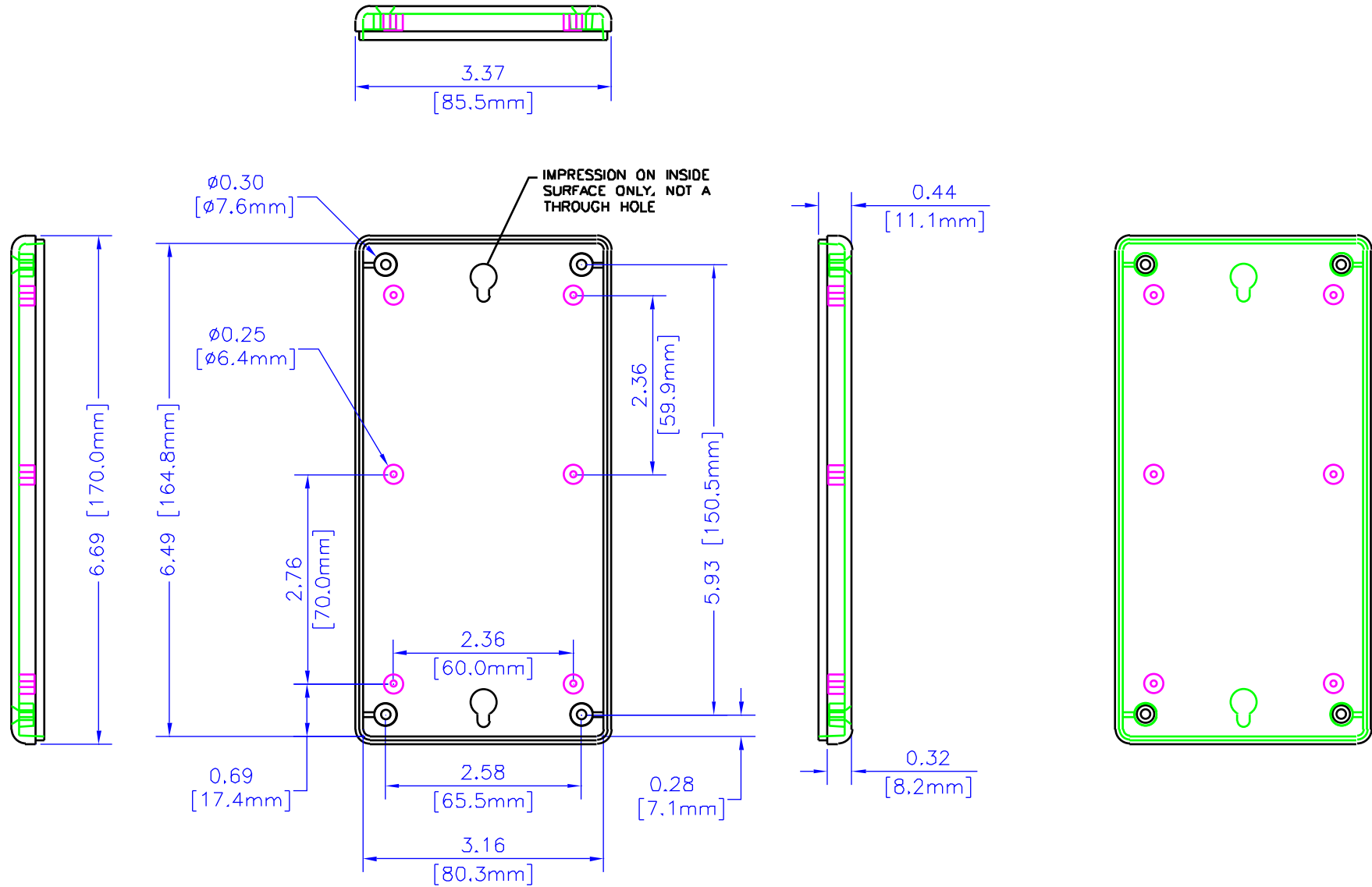


**HAMMOND  
MANUFACTURING**

WEB: [WWW.HAMMONDMFG.COM](http://WWW.HAMMONDMFG.COM)

TITLE		HAMMOND 1599 SERIES SLOPED CONSOLE	
DRAWN BY	MJM	DATE	03/10/01
SCALE		PAGE	2 OF 3
PART NUMBER		1599ETS	

NOTES



LID

UNLESS OTHERWISE SPECIFIED  
DIMENSIONS ARE IN INCHES  
X +/- .1  
HOLE +/- .010  
CUTS +/- .010  
ANGLES +/- .5 DEG

NOTICE  
HAMMOND CLAIMS PROPRIETARY RIGHTS TO THE MATERIAL ON THIS DRAWING. IT IS INTENDED TO BE USED AS A REFERENCE FOR ENGINEERING INFORMATION ONLY. THIS INFORMATION MAY NOT BE USED TO MANUFACTURE PRODUCT WITHOUT WRITTEN PERMISSION FROM HAMMOND MANUFACTURING.



WEB: [WWW.HAMMONDMFG.COM](http://WWW.HAMMONDMFG.COM)

TITLE		HAMMOND 1599 SERIES SLOPED CONSOLE	
DRAWN BY	MJM	DATE	03/10/01
SCALE		PAGE	3 OF 3
PART NUMBER		1599ETS	