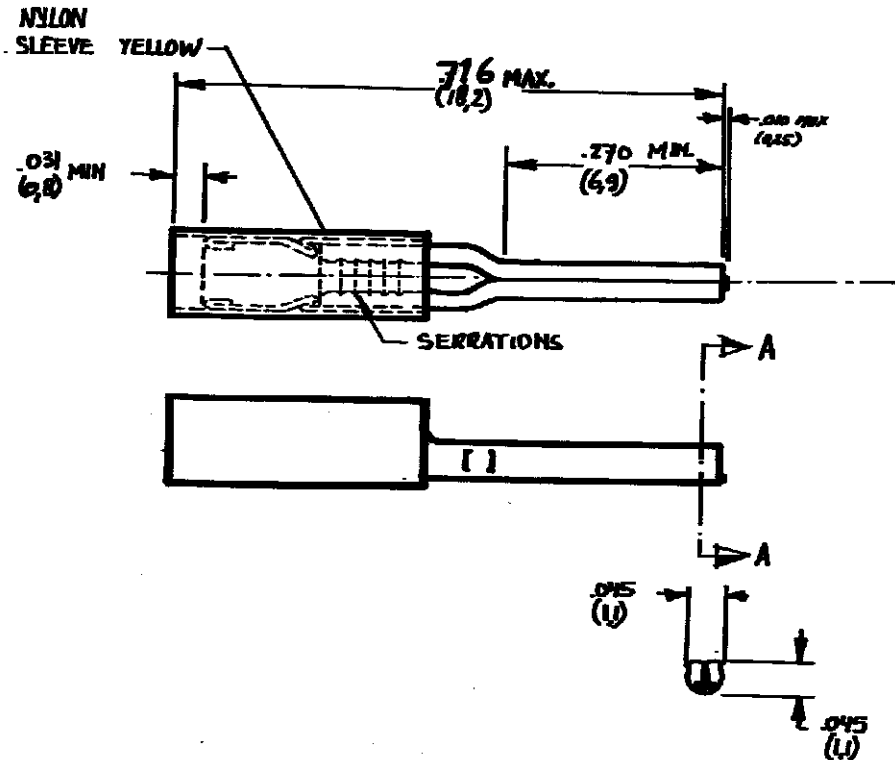


NUMBER C-165514

DRAWING MADE IN AMERICAN PROJECTION



DOC. CENTRE  
29 OCT. 1991

DIMENSIONS IN ( ) ARE IN ( ) DO NOT SCALE PRINT

CUSTOMER COPY FOR REFERENCE ONLY			
©1975 BY AMP-HOLLAND N.V. ALL RIGHTS RESERVED A-MP PRODUCTS COVERED BY PATENTS AND/OR PATENTS PENDING.			
WIRE RANGE 31-32 AWG (0,75-0,91 mm <sup>2</sup> )		INSUL. RANGE .083 DM. (2,1)	FIRST USED —
ORDER NO.	MATERIAL	PLATING	SCALE
65514-1	COPPER	TINPLATED	N.T.S.
BY R.W.M.B.	DATE 5-8-78	DE DATE	DATE
BY DATE	DATE	DATE	DATE
NAME PIDG WIRE PIN			REV D
NO C-165.514			REV D

