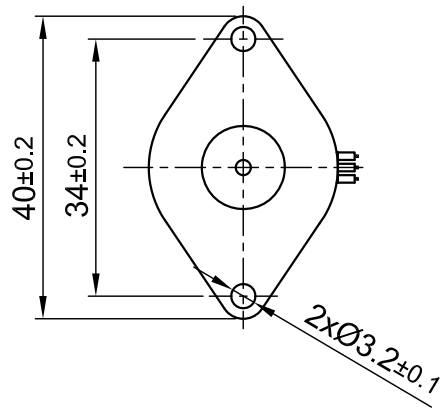
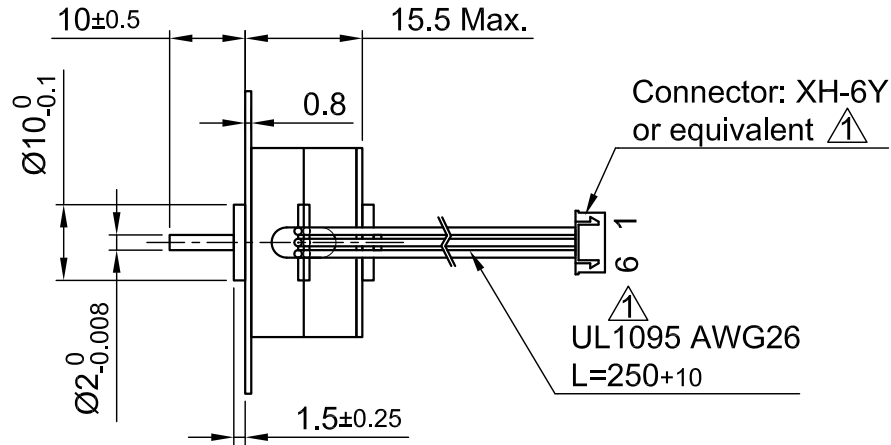


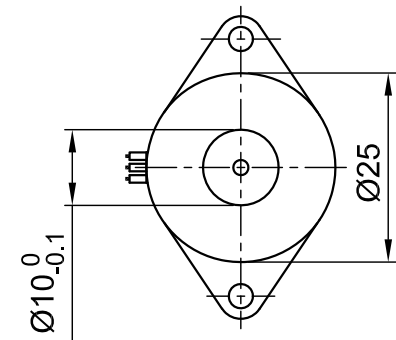
Front view and mounting



Side view

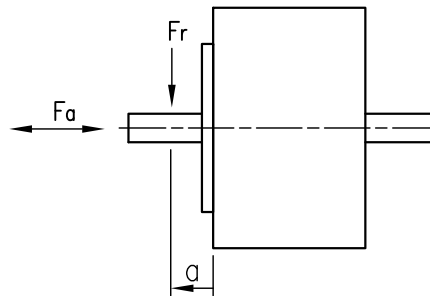


Rear view



SPECIFICATION	UNIPOLAR OR BIPOLAR-1 WINDING	BIPOLAR SERIAL
VOLTAGE (VDC)	12	17
AMPS/PHASE	0.24	0.17
RESISTANCE/PHASE (Ohms)@25°C	50±10%	100±10%
INDUCTANCE/PHASE (mH) @1KHz	12±20%	64±20%
HOLDING TORQUE (Nm) [lb-in]	0.011 [0.098]	0.016 [0.139]
DETENT TORQUE (Nm) [lb-in]	4.0x10 ⁻³ [0.035]	
STEP ANGLE (°)	7.5	
STEP ACCURACY (NON-ACCUM)	±7%	
ROTOR INERTIA (Kg-m ²) [lb-in ²]	1.0x10 ⁻⁷ [3.416x10 ⁻⁴]	
WEIGHT (Kg) [lb]	0.036 [0.079]	

PERMISSIBLE RADIAL+AXIAL FORCE



TEMPERATURE RISE: MAX.80°C (MOTOR STANDSTILL; FOR 2 PHASE ENERGIZED)	AXIAL-FORCE Fa (N)	Fa=1.5
AMBIENT TEMPERATURE -10~ 40°C [14°F ~ 104°F]	DISTANCE a (mm)	1/2 SCHAFTLENGTH
INSULATION RESISTANCE 100 MOhm (UNDER NORMAL TEMPERATURE AND HUMIDITY)	RADIAL-FORCE Fr (N)	Fr=3.0
INSULATION CLASS E 120°C [248°F]		AXIAL RADIAL
DIELECTRIC STRENGTH 650VAC FOR 2 SEC. (BETWEEN THE MOTOR COILS AND THE MOTOR CASE)	SHAFT PLAY (mm)	0.08 0.06
AMBIENT HUMIDITY MAX. 85% (NO CONDENSATION)	AT LOAD MAX: (N)	4.5 4.5

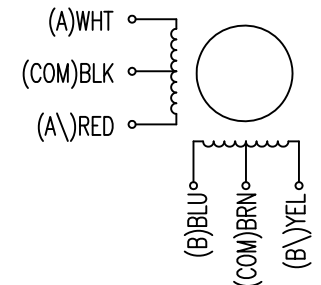
TYPE OF CONNECTION (EXTERN)			MOTOR		
UNIPOLAR	BIPOLAR		CONNECTOR PIN NO.	LEADS	WINDING
	1WINDING	SERIAL			
A ---	A ---	A ---	1	WHT	A
COM ---	COM ---	---	5	BLK	COM
A\ ---	---	A\ ---	3	RED	A\
B ---	B ---	B ---	2	BLU	B
COM ---	COM ---	---	6	BRN	COM
B\ ---	---	B\ ---	4	YEL	B\

for >speed ←
for <speed ←

FULL STEP 2 PHASE-Ex.,
WHEN FACING MOUNTING END (X)

STEP	A	B	A\	B\	
1	+	+	-	-	CCW
2	-	+	+	-	
3	-	-	+	+	
4	+	-	-	+	CW

WIRING DIAGRAM



SP2575M0206-A

SCALE FREE	APVD	S.Ha.	12.03.07
X ±0.5	CHKD		
1PL ±0.2	DRN	J.W.	08.11.06
2PL ±0.1	SIGNATURE	DATE	
ANGLE ±30'			

STEPPING MOTOR

DWG.NO

SP2575M0206-A

REV	DESCRIPTION	DATE	APVD
1	DRAWING UPDATED	22.07.09	J.W.