

Surface Mount Chip LEDs

Technical Data

HSMx-C650
HSMx-C670
HSMF-C655

Features

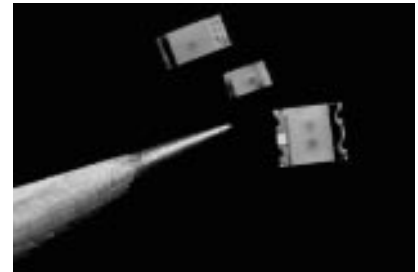
- Small Size
- Industry Standard Footprint
- Low Profile
- Tinted, Diffused Optics
- Compatible with IR Solder Process
- Five Colors and Bicolor Available
- Available in 8 mm Tape on 7" (178 mm) Diameter Reels

Applications

- Push-Button Backlighting
- LCD Backlighting
- Symbol Backlighting
- Front Panel Indicator

Description

These single and bicolor LEDs are designed in an industry standard package for ease of handling and use. Five different LED colors are available in two compact, low profile, single color packages. The 3.2 x 1.6 mm is an excellent all around package, and the small 2.0 x 1.25 mm package is designed for applications where space is limited. The single color LEDs have

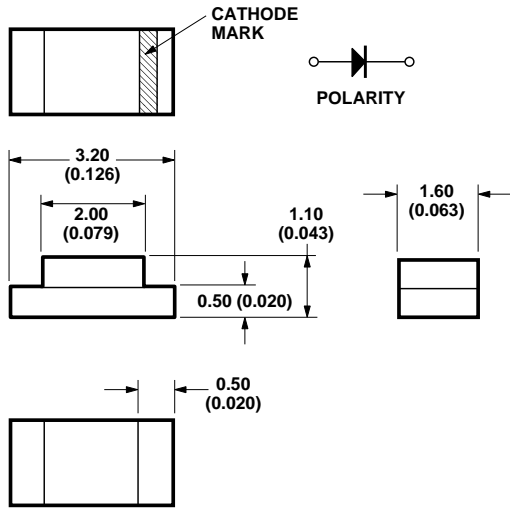


tinted diffused optics. The bicolor package is untinted, diffused.

The small size, low 1.1 mm profile and wide viewing angle make these LEDs excellent for backlighting applications and front panel illumination. They are compatible with IR reflow soldering processes.

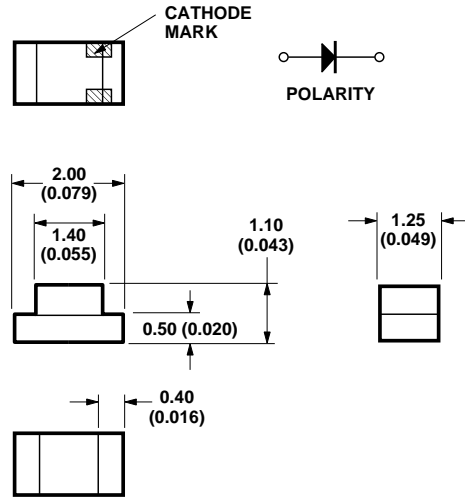
Device Selection Guide

Footprint (mm)	DH AlGaAs Red	High Efficiency Red	Orange	Yellow	Green	Bicolor HER-Green
3.20 x 1.60	HSMH-C650	HSMS-C650	HSMD-C650	HSMY-C650	HSMG-C650	
2.00 x 1.25	HSMH-C670	HSMS-C670	HSMD-C670	HSMY-C670	HSMG-C670	
3.20 x 2.70						HSMF-C655



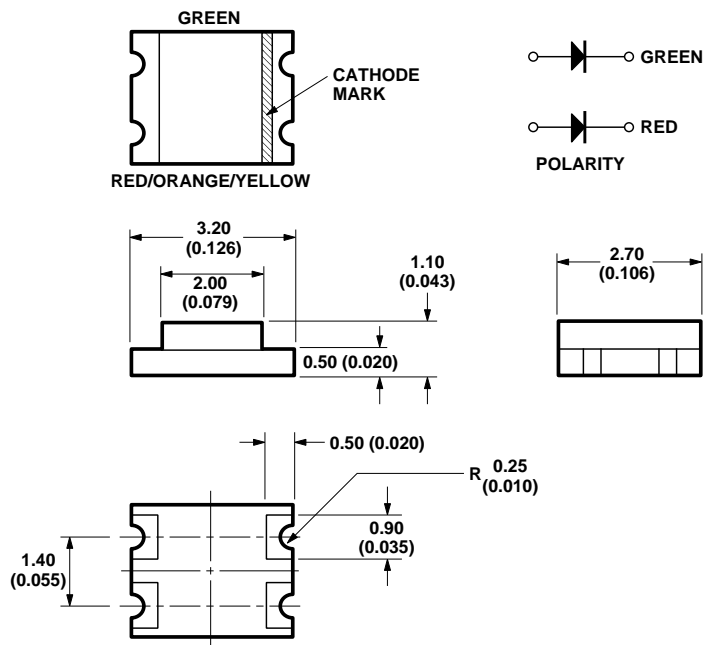
HSMX-C650 Series

[1206]



HSMX-C670 Series

[805]



HSMF-C655

[1210]

Absolute Maximum Ratings at $T_A = 25^\circ\text{C}$

Parameter	HSMX-C650 HSMF-C655	HSMX-C670	Units
DC Forward Current ^[1]	25	20	mA
Power Dissipation	65	50	mW
Reverse Voltage ($I_R = 100 \mu\text{A}$)	5	5	V
LED Junction Temperature	95	95	$^\circ\text{C}$
Operating Temperature Range	-25 to +80	-25 to +80	$^\circ\text{C}$
Storage Temperature Range	-30 to +85	-30 to +85	$^\circ\text{C}$
Soldering Temperature	See SMT reflow soldering profile, Figure 6		

Notes:

- Derate linearly as shown in Figure 4 for temperatures above 25°C .

Optical Characteristics at $T_A = 25^\circ\text{C}$

Part Number	Color	Luminous Intensity I_V (mcd) @ I_F 20 mA ^[1]		Peak Wavelength λ_{peak} (nm) Typ.	Color, Dominant Wavelength λ_d ^[2] (nm) Typ.	Viewing Angle $2\theta^{1/2}$ Degrees ^[3] Typ.
		Min.	Typ.			
HSMH-C650 HSMH-C670	DH AlGaAs Red	6.3	16.0	650	639	155
HSMS-C650 HSMS-C670	High Efficiency Red	1.6	5.0	639	626	155
HSMC-C650 HSMC-C670	Orange	1.6	4.0	606	604	155
HSMY-C650 HSMY-C670	Yellow	1.6	5.0	584	586	155
HSMG-C650 HSMG-C670	Green	4.0	9.0	566	571	155
HSMF-C655	High Efficiency Red	1.6	5.0	639	626	155
	Green	4.0	9.0	566	571	155

Notes:

- The luminous intensity, I_V , is measured at the peak of the spatial radiation pattern which may not be aligned with the mechanical axis of the lamp package.
- The dominant wavelength, λ_d , is derived from the CIE Chromaticity Diagram and represents the perceived color of the device.
- $\theta^{1/2}$ is the off-axis angle where the luminous intensity is 1/2 the peak intensity.
- Chip LEDs are supplied in 8 mm embossed tape on 178 mm (7 in.) diameter reels, with 3000 devices per reel. Minimum order quantity and order increments are in quantity of reels only.

Electrical Characteristics at $T_A = 25^\circ\text{C}$

Part Number	Color	Forward Voltage V_F (Volts) @ $I_F = 20 \text{ mA}$		Reverse Breakdown V_R (Volts) @ $I_R = 100 \mu\text{A}$ Min.	Capacitance C (pF) $V_F = 0$, $f = 1 \text{ MHz}$ Typ.	Thermal Resistance $R_{\theta_{J-PIN}}$ ($^\circ\text{C/W}$)
		Typ.	Max.			
HSMH-C650 HSMH-C670	DH AlGaAs Red	1.8	2.2	5	46	460 300
HSMS-C650 HSMS-C670	High Efficiency Red	1.9	2.6	5	4.0	400 250
HSMD-C650 HSMD-C670	Orange	2.1	2.6	5	4.0	400 250
HSMY-C650 HSMY-C670	Yellow	2.1	2.6	5	3.0	400 250
HSMG-C650 HSMG-C670	Green	2.2	2.6	5	8.0	400 250
HSMF-C655	High Efficiency Red	1.9	2.6	5	3.7	325
	Green	2.2	3.0	5	6.3	325

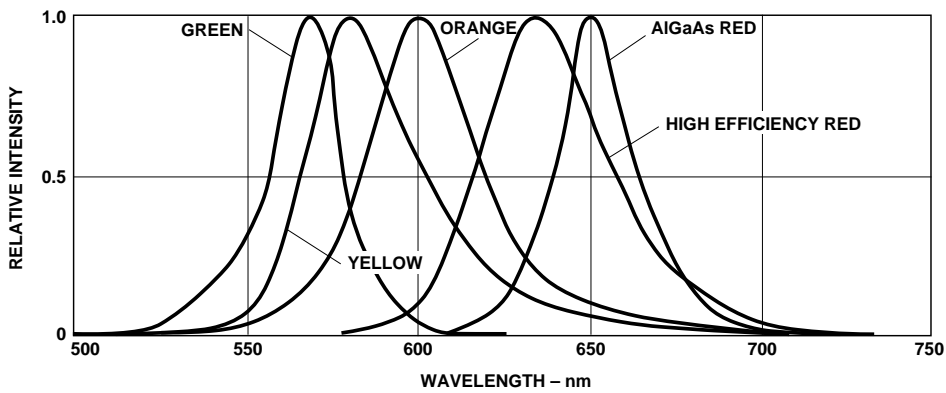


Figure 1. Relative Intensity vs. Wavelength.

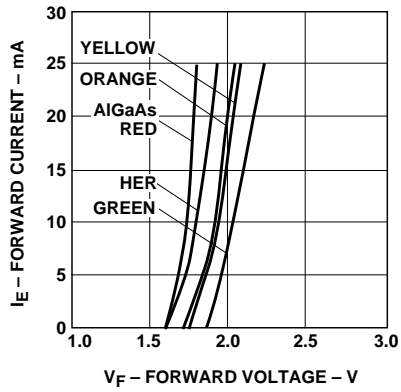


Figure 2. Forward Current vs. Forward Voltage.

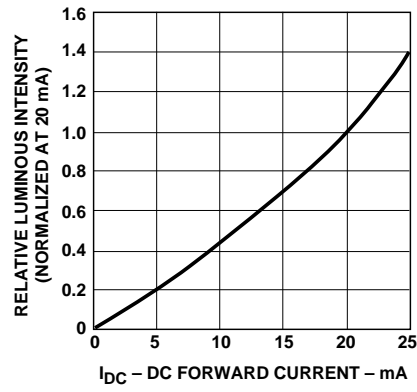


Figure 3. Relative Luminous Intensity vs. DC Forward Current.

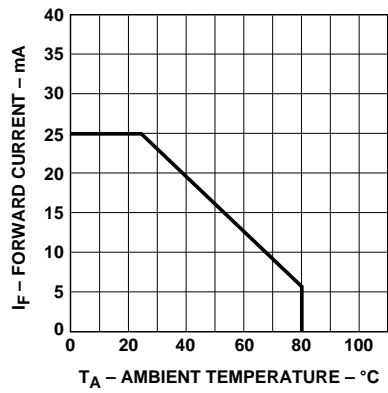


Figure 4. Maximum DC Current vs. Ambient Temperature.

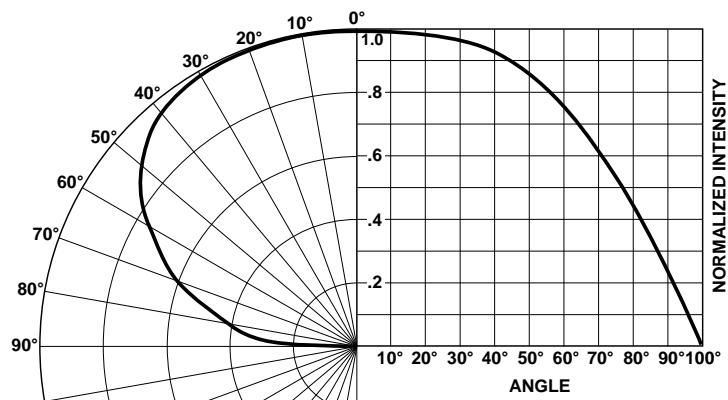


Figure 5. Intensity vs. Angle.

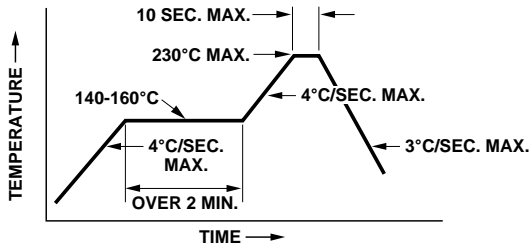


Figure 6. Recommended SMT Reflow Soldering Profile.

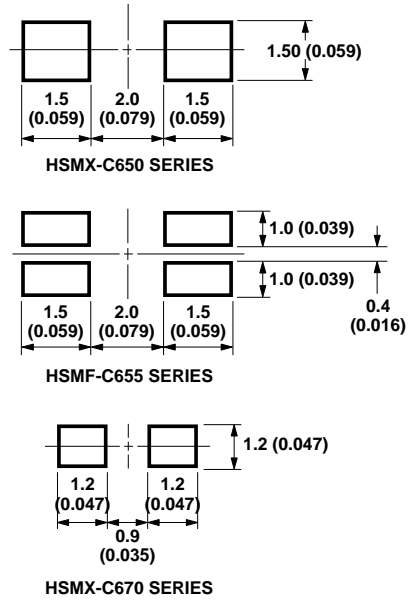


Figure 7. Recommended Solder Patterns.

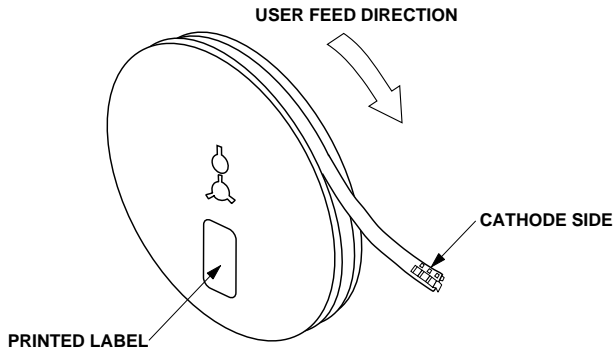


Figure 8. Reeling Orientation.

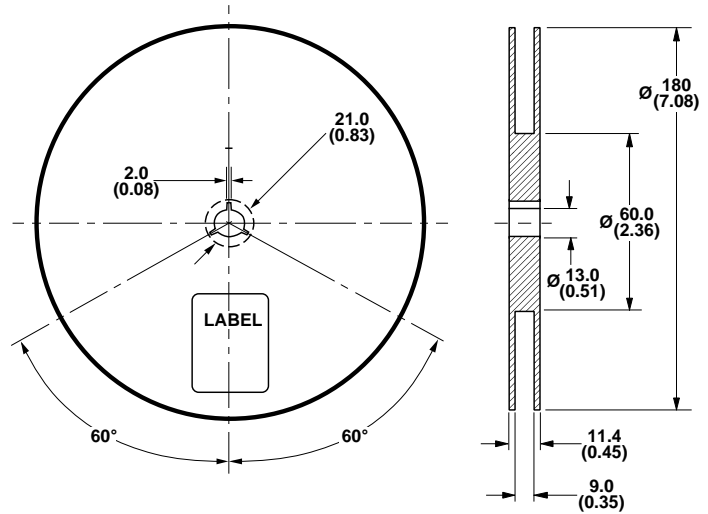


Figure 9. Reel Dimensions.

NOTE:
ALL DIMENSIONS IN MILLIMETERS (INCHES).

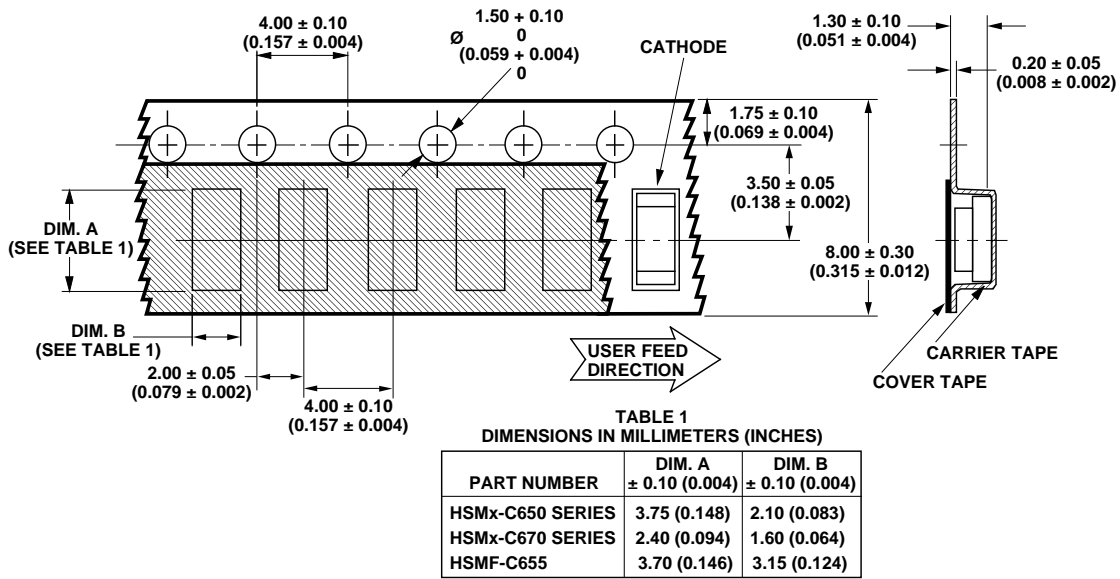


Figure 10. Tape Dimensions.

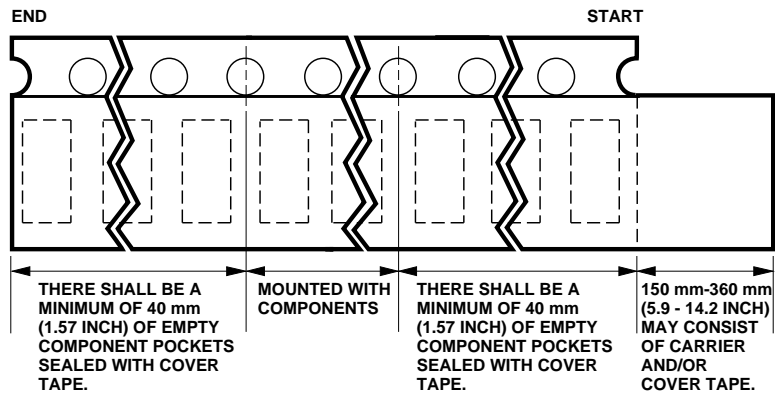


Figure 11. Tape Leader and Trailer Dimensions.



www.hp.com/go/led

For technical assistance or the location of your nearest Hewlett-Packard sales office, distributor or representative call:

Americas/Canada: 1-800-235-0312 or 408-654-8675

Far East/Australasia: Call your local HP sales office.

Japan: (81 3) 3335-8152

Europe: Call your local HP sales office.

Data subject to change.

Copyright © 1999 Hewlett-Packard Co.

Obsoletes 5968-0946E

5968-4934E (4/99)