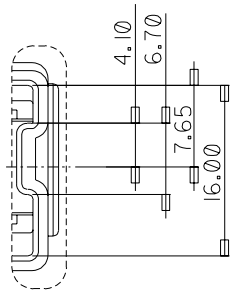
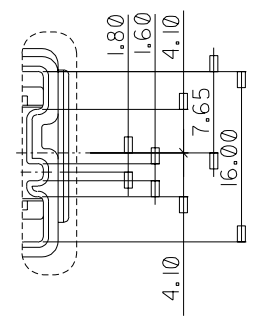
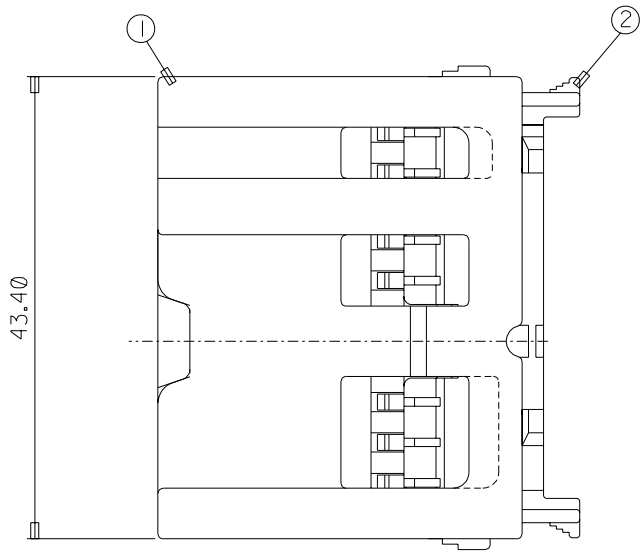


DO NOT SCALE DRAWING DIMENSION IN METRIC

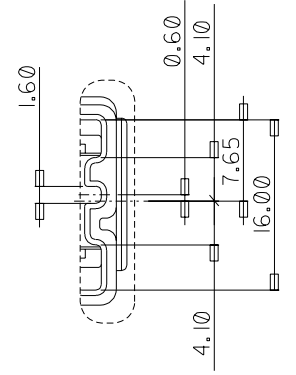
PROJECT NO. SD-35282-1610
SIMILAR ITEM



35282-1610 (NATURAL)

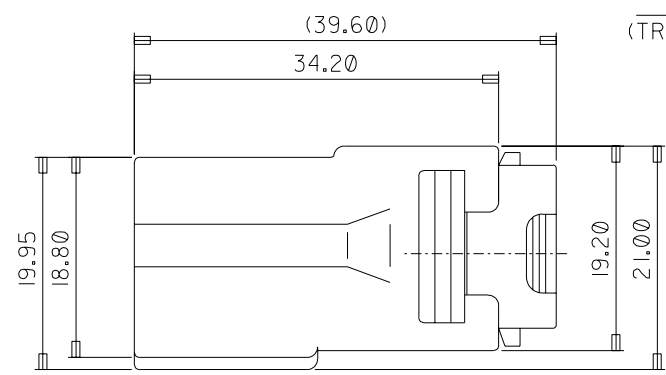
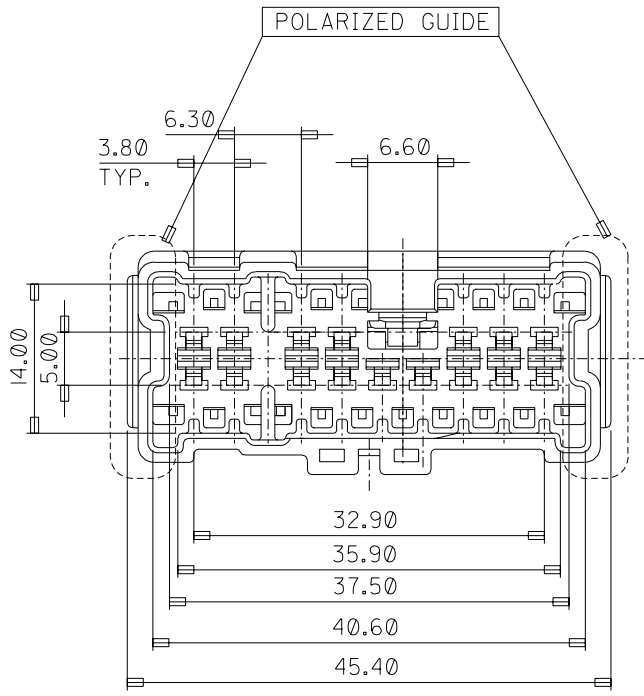


35282-1615 (GRAY)



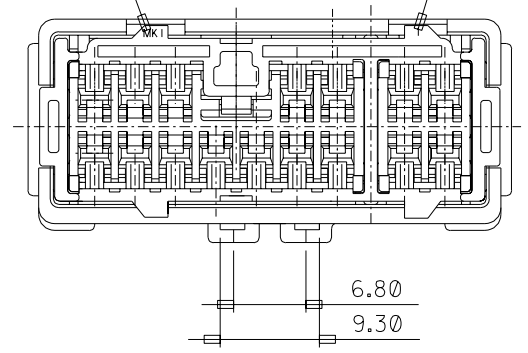
35282-1617 (BROWN)

POLARIZED GUIDE DIM'S



MKI
(TRADE MARK)

CAV.NO.



	PART NO.	PART NAME	MATERIAL
①	35282-169*	UNICONN MALE HOUSING-16P	PBT
②	35283-1681	UNICONN MALE TPA-16P	PBT, BLACK

REVISED	EC NO. KOR2003-0057 DRAWN: S.M.KIM 03/09/30 CHK: B.C.YOON 03/09/30 APPROV: M.LEE
REV	DESCRIPTION
B	

QUALITY SYMBOLS	GENERAL TOLERANCES: (UNLESS SPECIFIED)
MAJOR	mm INCH
CRITICAL	4 PLACES ±0. ±.
	3 PLACES ±0. ±.
	2 PLACES ±0. ±.
	1 PLACE ±0.30 ±.
	ANGULAR: ±1.0 °

SCALE: 1:1	DESIGN UNITS: <input checked="" type="checkbox"/> mm <input type="checkbox"/> INCH
DRAWN BY & DATE: C.W.Y. YANG, 97/11/17	
CHECKED BY & DATE: B.K. CHOI, 97/11/17	
APPROVED BY & DATE: C.W. LEE, 97/11/17	
CAD FILENAME: SD2821610.DGN	MATERIAL NO. SEE TABLE

DIMENSIONS: <input type="checkbox"/> INCH <input checked="" type="checkbox"/> mm		SHT	REV
THIRD ANGLE PROJECTION		1/1	
TITLE: UNICONN MALE ASS'Y-16P			
MOLEX INCORPORATED			
DRAFT WHERE APPLICABLE MUST REMAIN WITHIN DIMENSIONS	THIS DRAWING CONTAINS INFORMATION THAT IS PROPRIETARY TO MOLEX INCORPORATED AND SHOULD NOT BE USED WITHOUT WRITTEN PERMISSION.	SHEET NO. 1/1	SIZE C