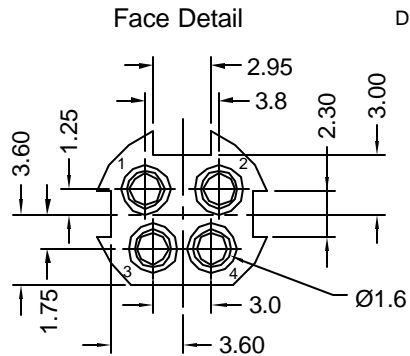


Recommended PCB Layout
(Bottom View)



Material and Finish

Inner Shield: copper alloy,
tin plated

Body: PBT thermoplastic
UL94V-0 rated
color - black

Contacts: brass, tin plated

Electrical Characteristics

Contact Rating:
7.5A max. @ 20V DC

Insulation Resistance:
50 Megohms min. at 250V DC

Dielectric Strength:
250 V AC rms for 1 minute

Contact Resistance:
30 milliohms max.

Mechanical Specifications

Insertion Force: 6.0Kg Max.
Extraction Force: 0.5-6.0 Kg
Durability: 1000 cycles

RoHS COMPLIANT
EU Directive 2002/95/EC



Tolerances
X.X ± 0.25
X.XX ± 0.15
Unless Stated
Otherwise

REV.	DATE	DESCRIPTION	REV. BY	CHK. BY	DRAWN BY	DATE
A1	4/13/05	New Drawing	H. MA	C. Furumasu	H. MA	3/8/05

KPJX-4S

DC Power Jack, RoHS compliant

4 position. non-shielded

